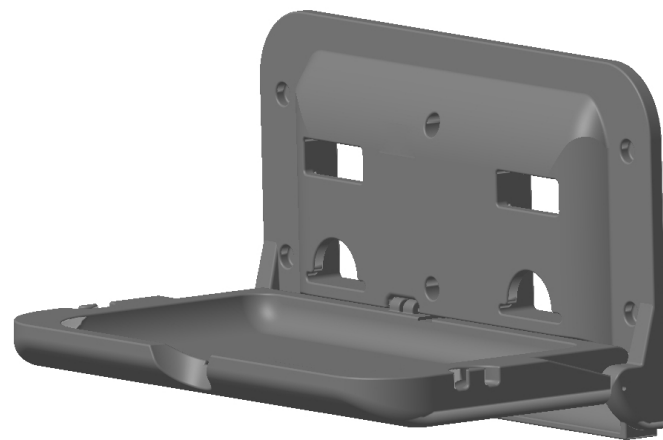
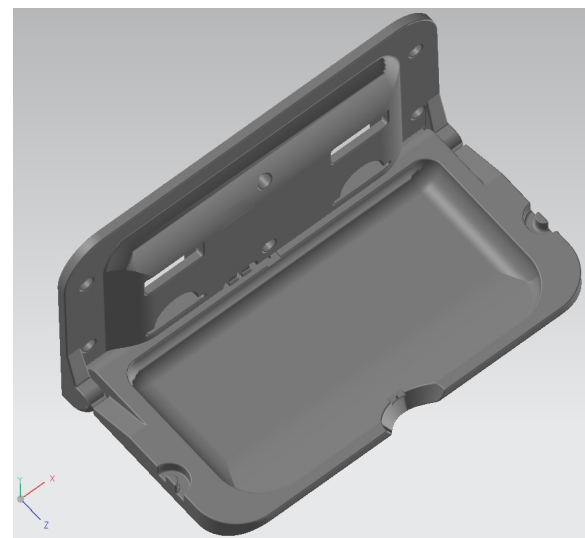


Distributed by
www.AmeraProducts.com
 Phone: (800) 608-6568
 Fax: (409) 840-5545
 info@ameraproducts.com



3D CAD MASTER PART NAME PROGENCARE_RECT.x_t

ALL DIMENSIONS IN INCHES

SIEMENS		THIS BABY CHANGING STATION: 1) IS ADA COMPLIANT. 2) MEETS OR EXCEEDS ASTM F2285-04. 3) CONTAINS SILVER ION ANTI-MICROBIAL AGENT		
FIRST ISSUED	5/10/10	TITLE PROGENCARE "RECTANGLE" ANTI-MICROBIAL BABY CHANGING STATION		
DRAWN BY	GMB			
CHECKED BY	DAB			
APPROVED BY	C.V.	SIZE	DRG NO.	REV
		B	RECT_BABY_CHANGING_STN	1
		SCALE 1:8	SHEET 1 OF 1	