

SU-50

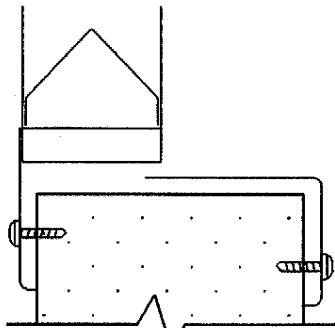
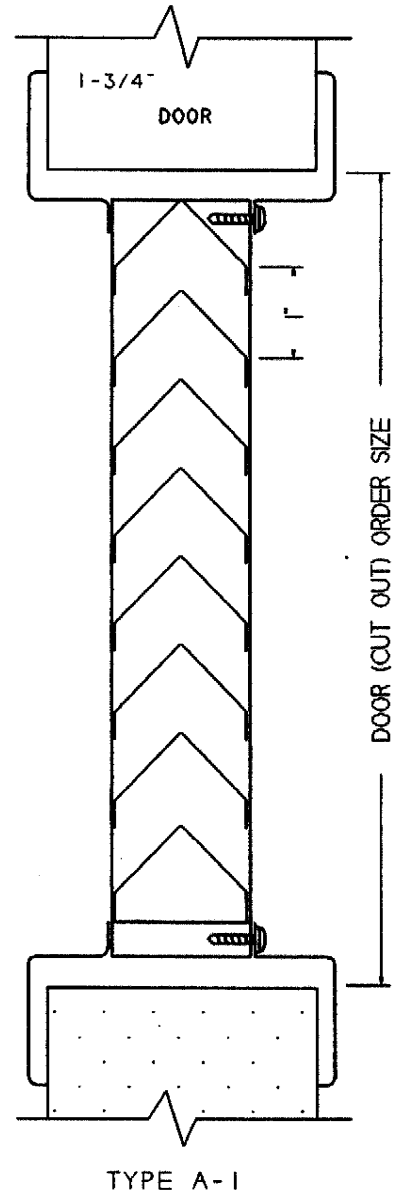
Inverted "U" Blade
Non-Vision

NON-VISION DESIGN RECOMMENDED FOR
SCHOOLS, CLASS "A" AND INSTITUTIONAL
BUILDINGS.
SUITABLE FOR EITHER WOOD OR METAL DOOR.

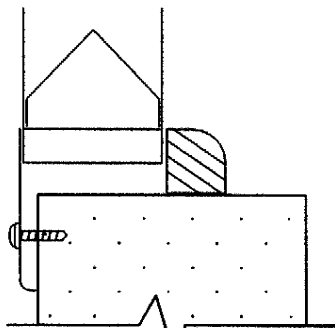
MANUFACTURED FROM 18 GA JETCOTE
SUPPLIED WITH # 8-3/4" PHILLIPS (PAN HEAD)
SHEET METAL SCREWS.

IF SCREEN REQUIRED;
SURFACE MOUNTED (ON JOB).

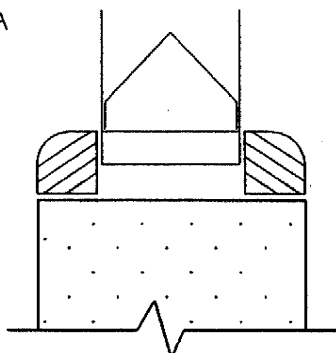
STANDARD FINISH: POWDER COATED, DARK BRONZE
ALSO AVAILABLE IN GREY PRIME COAT,
WHITE OR BLACK.



TYPE A



TYPE C



CORE ONLY

PROJECT:	
LOCATION:	
ARCHITECT:	
CONTRACTOR:	
CUSTOMER:	
	DATE: