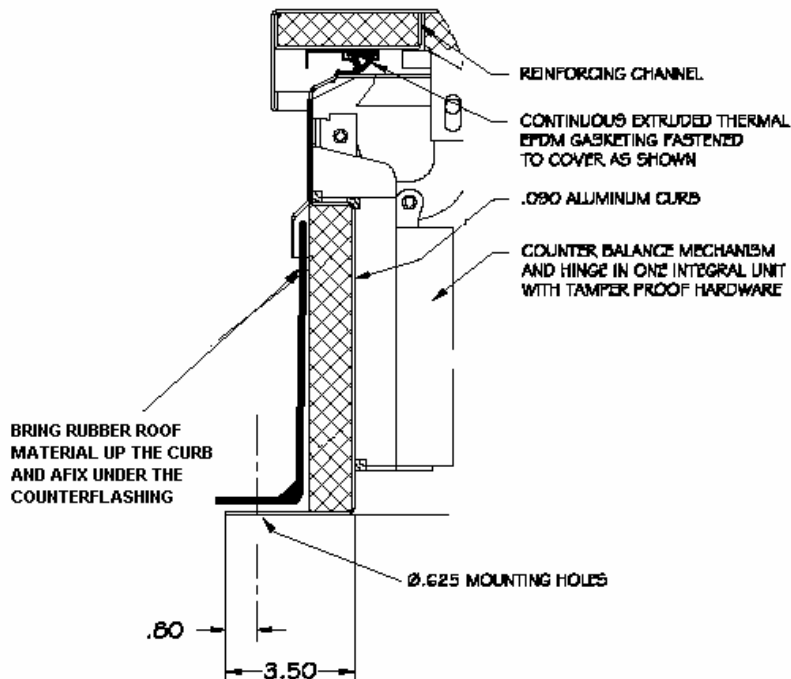


# Ameraproducts, Inc.

## INSTALLATION INSTRUCTIONS

### FOR ROOF HATCHES

1. Place the roof hatch over the existing opening in roof. Mark the pre-drilled 5/8" diameter holes from the mounting flange through to the roof deck. Drill roof deck for installation of anchors or other fasteners, provided by others. Bolt or otherwise fasten roof hatch curb flange to roof deck.
2. Mount cant strips, by others, surrounding the roof curb. The size is to be determined by a roofing installer, based on the roofing material to be provided.
3. Install roofing material up to and surrounding the roof curb, and under the counter flashing at the top of the curb. Lap and seal all joints in roofing material to provide a weathertight seal.



ACCESS DOORS FOR WALLS & CEILINGS

FLOOR HATCHES • ROOF HATCHES • SMOKE VENTS • SAFETY RAILING SYSTEMS