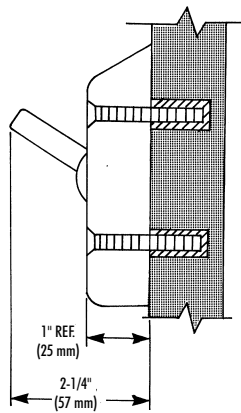
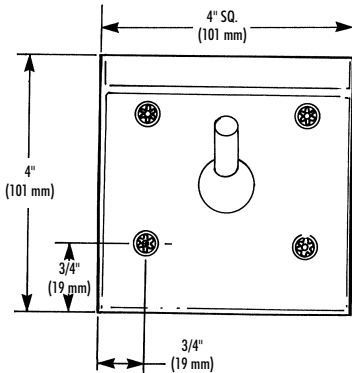


SECURITY TOWEL HOOK

- Front Mounted

Bradex™



CONSTRUCTION:

- **BACKPLATE:** Fabricated of type 304 (18-8), 14 gauge stainless steel with exposed surfaces in architectural satin finish. All seams are tig welded and ground smooth.
- **SAFETY HOOK:** Fabricated of stainless steel with pivoting ball joint that releases when excessive force is applied.

INSTALLATION:

Unit supplied with 1/4"-20 torx-head screws. (Anchors supplied by others.)