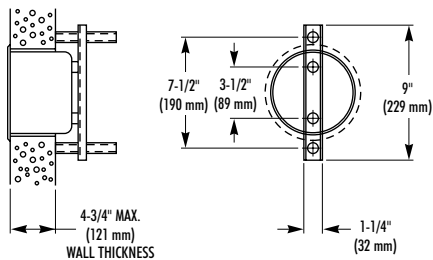


SECURITY RECESSED TOILET TISSUE ROLL HOLDER

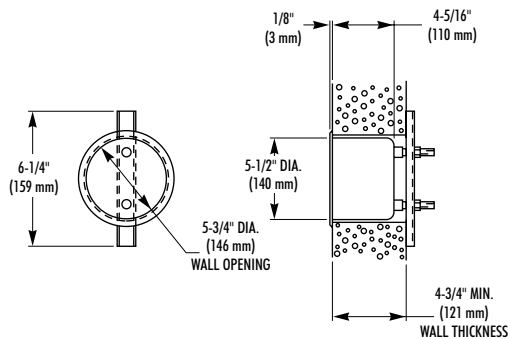
- Chase Mounted



ANCHORING METHOD FOR WALLS UP TO 4-3/4" THICK



ANCHORING METHOD FOR WALLS OVER 4-3/4" THICK



CONSTRUCTION:

Tissue holder is fabricated of type 304 (18-8), 16 gauge stainless steel with exposed surfaces in architectural satin finish. Unit is drawn one piece seamless construction. Rim of holder is beveled to insure tight fit to wall surface. Back of holder has welded anchor nuts to receive threaded studs (provided). Back plate of 11 gauge die-formed galvanized steel, reversible for shallow or deep wall installation.

WALL THICKNESS (must check one)	
<input type="checkbox"/> Up to 4-3/4"	<input type="checkbox"/> 4-3/4" to 6"
<input type="checkbox"/> Over 6", Specify Thickness: _____	