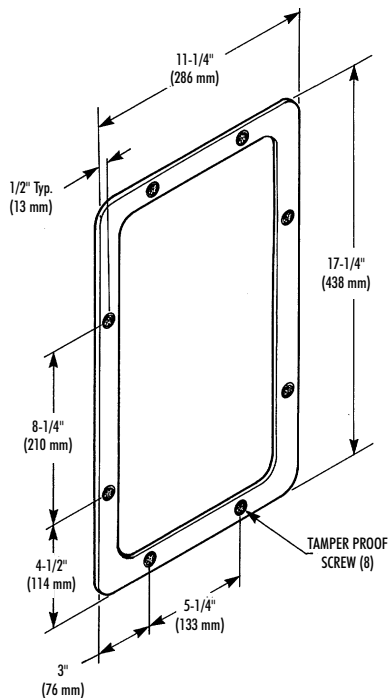


SECURITY FRAMED WALL MIRROR

- Front Mounted



CONSTRUCTION:

- **INTEGRAL FRAMED MIRROR** fabricated of type 304 (18-8), 20 gauge stainless steel, polished to a #8 architectural bright finish. Stretcher leveled for uniformity. Very bright – excellent reflectivity, very slight polish grain.

NOTE: Stainless steel mirrors will differ in optic quality from glass mirrors.

INSTALLATION:

Secure to wall with torx-head screws (included) at holes provided.

GUIDE SPECIFICATION:

Security mirror with integral frame shall be fabricated of type 304 (18-8), 20 gauge stainless steel, with #8 architectural finish die formed from a single sheet. Frame has counter-sunk holes for mounting and is furnished with 1/4"-20 torx-head screws.

Overall dimensions: 11-1/4"W x 17-1/4"H x 1/4"D.

Security Mirror shall be Bradley Model SA05.