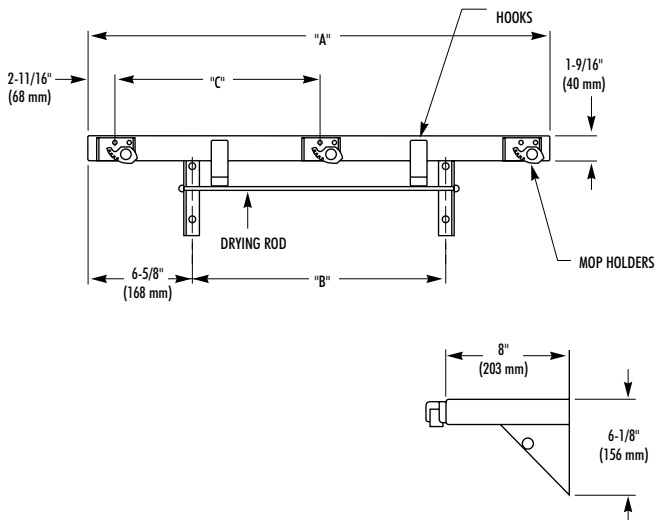
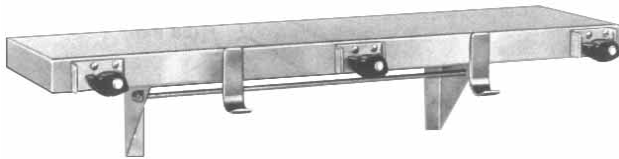


UTILITY SHELVES

- Model 9983 – 2 Hooks/3 Holders **Bradex™**
- Model 9984 – 3 Hooks/4 Holders **Bradex™**
- Model 9985 – 4 Hooks/5 Holders **Bradex™**
- Model 9986 – 5 Hooks/6 Holders **Bradex™**



Model No.	Dim. "A"	Dim. "B"	Dim. "C"	Hooks	Holders
9983	30" (762 mm)	16-3/4" (425 mm)	12" (305 mm)	2	3
9984	36" (914 mm)	22-7/8" (581 mm)	10" (254 mm)	3	4
9985	42" (1067 mm)	28-7/8" (733 mm)	9" (229 mm)	4	5
9986	48" (1219 mm)	34-7/8" (886 mm)	8-3/8" (213 mm)	5	6

MODEL 9983
9984
9985
9986

CONSTRUCTION:

- **SHELF** fabricated of type 304 (18-8), 18 gauge stainless steel with exposed surfaces in architectural satin finish.
- **BRACKETS** fabricated of type 304 (18-8), 16 gauge stainless steel with exposed surfaces in architectural satin finish.
- **HOOKS** fabricated of type 304 (18-8), 14 gauge stainless steel with exposed surfaces in architectural satin finish.
- **HOLDERS** consist of spring activated rubber cams on plated steel retainers.
- **DRYING ROD** fabricated of 1/4" diameter solid stainless steel with satin finish.

OPERATION:

Weight of mop or broom holds handle in place.

INSTALLATION:

Secure to wall with mounting screws (included) at holes provided.

GUIDE SPECIFICATION:

Surface mounted utility shelf shall be fabricated of type 304 (18-8), 18 gauge stainless steel in satin finish with 16 gauge brackets and 14 gauge hooks. Drying rod of 1/4" stainless steel. Mop and broom holders to have spring activated rubber cams.

Surface Mounted Utility Shelf shall be Bradley Model 9983 (9984, 9985, 9986).