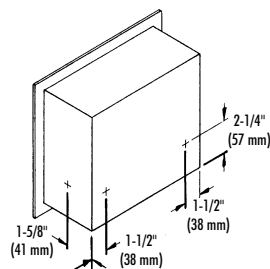
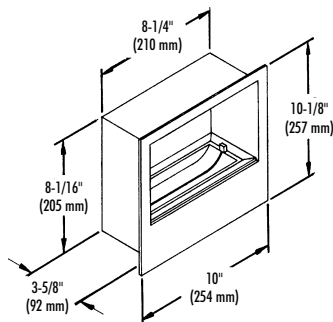


ASH URN

- Recess Mounted
- Model 9741 – Satin Stainless Steel **Bradlex™**



CONSTRUCTION:

- **FACEPLATE** fabricated of type 304 (18-8), 13 gauge stainless steel with exposed surfaces in architectural satin finish. One piece seamless construction.
- **CABINET** fabricated of type 304 (18-8), 20 gauge stainless steel.
- **SPLIT BOWL ASHTRAY** of heavy die cast aluminum.
- **INNER RECEPTACLE** of drawn, one piece seamless aluminum construction.

OPERATION:

Split bowl opens to empty ashes into concealed waste receptacle. Top lifts out to access receptacle which is removable for servicing.

INSTALLATION:

Requires rough wall opening 8-1/2" W x 8-1/2" H x 3-5/8" D. Secure unit to framing with mounting screws (not included) at holes provided. Shim at screw points as required.

GUIDE SPECIFICATION:

Recessed ash urn shall be fabricated of type 304 stainless steel with seamless faceplate, and satin stainless steel finish. Removable top ring and plunger operated split bowls of cast aluminum. Drawn aluminum removable ash receptacle.

Overall dimensions: 10"W x 10-1/8"H x 3-5/8"D.

Recessed Ash Urn shall be Bradley Model 9741.