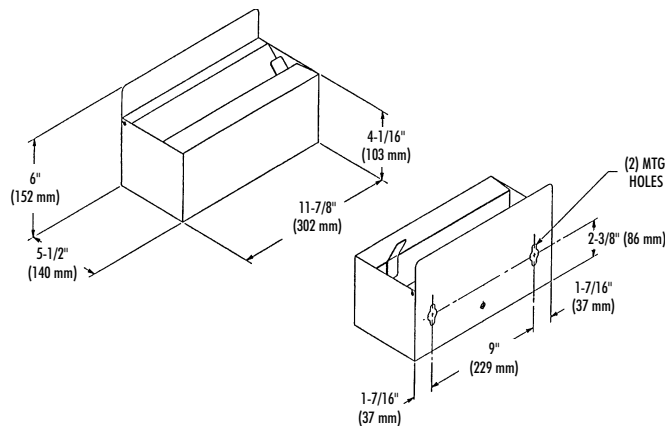


# ASH URN

- Surface Mounted
- Model 9734 – Satin Stainless Steel **Bradex™**



## CONSTRUCTION:

- **BODY AND BACKPLATE** fabricated of type 304 (18-8), heavy gauge stainless steel with exposed surfaces in architectural satin finish.
- **FLIP TOP ASH TRAY** fabricated of type 304 (18-8), heavy gauge stainless steel with exposed surfaces in architectural satin finish with stainless steel push lever.
- **INNER ASH RECEPTACLE** of drawn, one-piece seamless aluminum construction.

## OPERATION:

Flip Top Ash Tray is operated by pushing down on lever on right side of ash tray. Ashes fall into inner ash receptacle. To remove receptacle, lift hinged body and remove receptacle.

## INSTALLATION:

Secure to wall with mounting screws (included) at holes provided.

## GUIDE SPECIFICATION:

Surface Mounted Ash Urn shall be fabricated of type 304 stainless steel with exposed surfaces in architectural satin finish. Flip top ash tray is permanently attached to receptacle body. Drawn aluminum removable ash receptacle.

Overall dimensions: 11-7/8"W x 6"H x 5-1/2"D.

Surface Mounted Ash Urn shall be Bradley Model 9734.