

MEDICINE CABINET

- Recess Mounted
- Two Fixed Shelves
- Reversible



CONSTRUCTION:

- **CABINET** fabricated of sturdy polystyrene.
- **DOOR** is fabricated of heavy gauge steel and finished with rust resistant, baked-on enamel to match cabinet, equipped with full length piano hinge, protective door bumpers and magnetic catch.
- **MIRROR** is No. 1 quality, distortion-free float glass, with full surround stainless steel frame with tab closure.
- **SHELVES** (2) are plastic.

OPERATION:

Cabinet is reversible for left or right hand door swing. Shelves are removable and adjustable.

INSTALLATION:

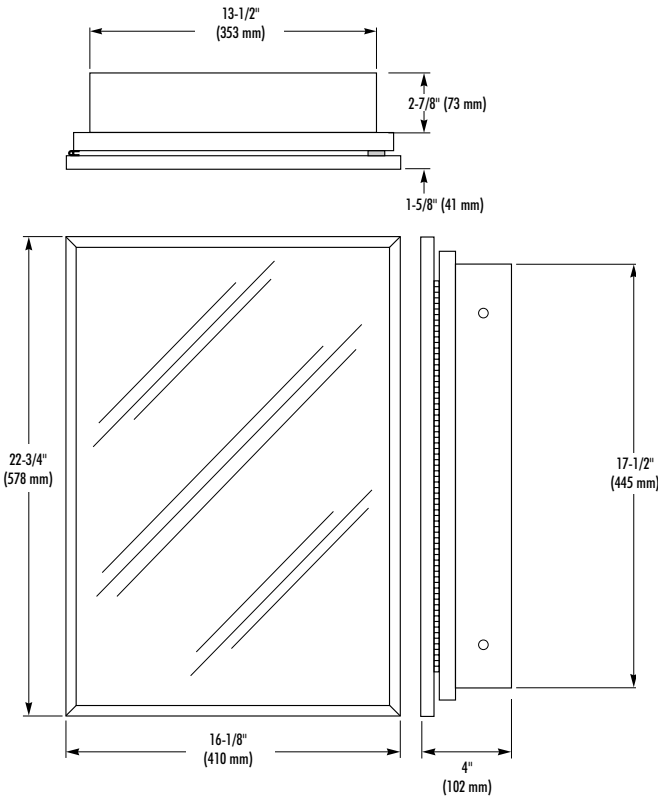
Cabinet requires rough wall opening of 14"W x 18"H x 3"D with top of wall opening 6'-5-1/4" from finished floor. Secured to framing with mounting screws (included) through holes provided.

GUIDE SPECIFICATION:

Recessed medicine cabinet shall be of sturdy polystyrene. Swing door shall have float glass mirror with full surround stainless steel channel frame with tab enclosure. Cabinet shall be equipped with two fixed shelves, full length piano hinge and magnetic catch.

Cabinet shall be reversible for left or right hand door swing.

Recess Mounted Medicine Cabinet shall be Bradley Model 9661.



Document No. 9045

This information is subject to change without formal notice.
MD 3239-1198