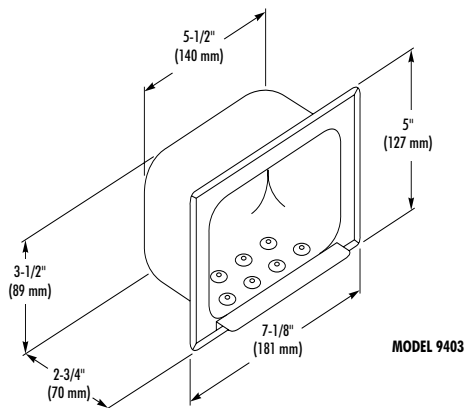
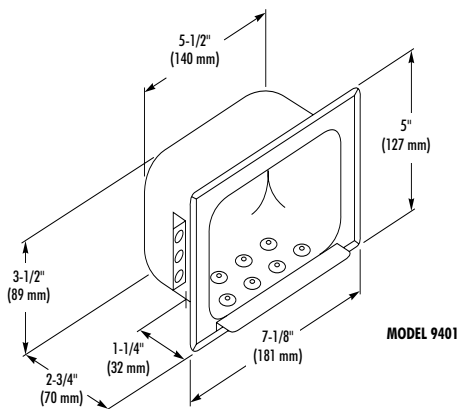


**MODEL 9401  
9403**

**SOAP DISH**

- Recess Mounted
- ☐ Model 9401 – With Mortar Lugs **Bradex™**
- ☐ Model 9403 – With Wall Clamp



**CONSTRUCTION:**

- **SOAP DISH** fabricated of type 304 (18-8), 20 gauge stainless steel with exposed surfaces in architectural satin finish. Drawn one-piece seamless construction.
- **DRIP LIP** fabricated of type 304 (18-8), 18 gauge stainless steel with exposed surfaces in architectural satin finish.

**INSTALLATION:**

Requires rough wall opening 6-1/4"W x 4-1/4"H x 2-3/4"D. **Model 9401** has mortar lugs for anchoring in cement. **Model 9403** has recessed wall clamp.

**GUIDE SPECIFICATION:**

Recessed soap dish shall be fabricated of type 304 (18-8), 20 gauge stainless steel of drawn seamless construction and satin finish.

Overall dimensions: 7-1/8"W x 5"H x 2-3/4"D.

**Recessed Soap Dish shall be Bradley Model 9401 (9403).**