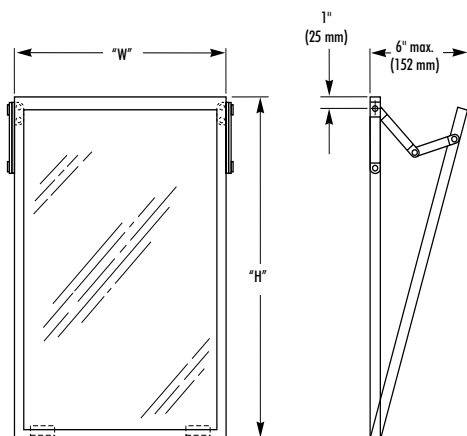


TILT MIRROR

- Adjustable Tilt
- Welded Corners



CONSTRUCTION:

- **FRAME** fabricated of heavy-gauge, one-piece roll-formed stainless steel, 3/4" x 3/4" angle with corners heliarc welded, ground and polished smooth to a satin finish. Double-strength continuous integral stiffeners on all sides for added strength. Bevel on front of angle secures frame flush against mirror. Two 1/4" barrel butt hinges welded to bottom of frame.
- **BACK** fabricated of 20 gauge galvanized steel, secured to frame with concealed screws.
- **MIRROR** of first quality 1/4" float glass, triple silver plated with electro-copper plated layer and thermosetting infrared cured paint backing with Poly-Glaze protective finish. Meets federal specification DD-M-00411b against silver spoilage and guaranteed for 15 years.
- **SUPPORT BRACKETS** fabricated of heavy gauge stainless steel, electro-polished. Self-locking brackets securely riveted to frame.

INSTALLATION:

Secure lower hinges to wall with screws (included) at holes provided. NOTE: Provide in-wall backing at mounting screw locations. Mount top brackets to permit full arm extension.

OPTIONAL FEATURES:

Feature	Suffix
<input type="checkbox"/> 1/4" tempered glass mirror in lieu of polished float glass mirror	-2
<input type="checkbox"/> Laminate glass	-3
<input type="checkbox"/> Highly polished No. 8 architectural finish, 20 gauge stainless steel in lieu of polished float glass mirror	-4
<input type="checkbox"/> Bright annealed 20 gauge stainless steel in lieu of polished float glass mirror	-5
<input type="checkbox"/> Plexiglass	-6

NOTE: An inherent characteristic of a manufacturing process is distortion which may vary from mirror to mirror.

GUIDE SPECIFICATION:

Adjustable tilt mirror shall be framed with heavy-gauge, one-piece roll-formed 3/4" x 3/4" stainless steel angle with double-strength continuous integral stiffeners. Welded corners shall be polished to a uniform satin finish. Mirror shall be of first quality 1/4" float glass guaranteed for 15 years against silver spoilage and protected by a shock absorbing, waterproof filler with Poly-Glaze protective finish. Self-locking adjustable support brackets shall be polished stainless steel and riveted to frame.

Adjustable Tilt Framed Mirror shall be Bradley Model 782- _____ " W x _____ " H (specify width and height).

Bradlex™ Models				
Width (Inches)	Height (Inches)	Overall Dimension (Inches)	Overall Dimension (Millimeters)	Standard Model Number
16"	24"	16 x 24	406 x 610	782-1624
16"	30"	16 x 30	406 x 762	782-1630
18"	24"	18 x 24	457 x 610	782-1824
18"	30"	18 x 30	457 x 762	782-1830
18"	36"	18 x 36	457 x 914	782-1836
24"	36"	24 x 36	610 x 914	782-2436

Model 782 series adjustable tilt mirrors can be fabricated to fit any architectural requirement. To specify sizes other than those indicated above, use the following formula: Model 782 + width in inches x height in inches. Example: 782 - 1832.

Document No. 8795

This information is subject to change without formal notice.
MD 3239-1198