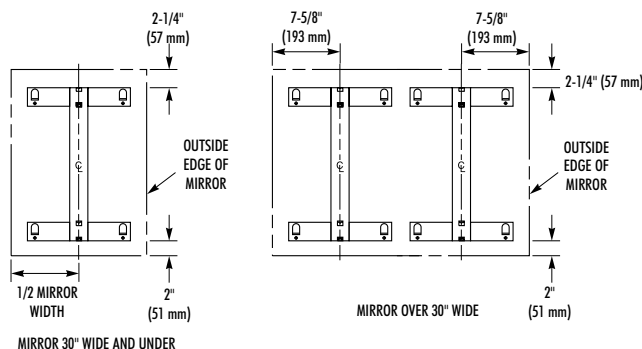
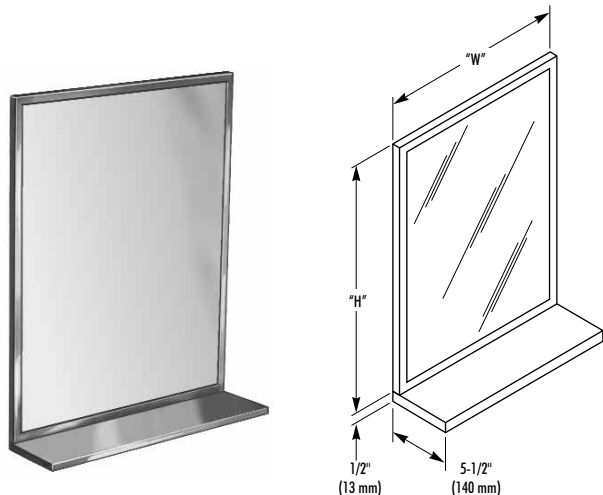


# MIRROR/SHELF

- Roll-Formed Channel Frame
- Theft Resistant Mounting



## CONSTRUCTION:

- **FRAME** fabricated of heavy-gauge, one-piece, roll-formed stainless steel with bright annealed finish. Channel is 3/4" x 3/4" x 7/16" with 90° mitered corners. Double-strength continuous integral stiffener on all sides for added strength.
- **BACK** fabricated of 20 gauge galvanized steel.
- **MIRROR** of first quality 1/4" float glass triple silver plated with electro-copper plated layer and thermosetting infrared cured paint backing with Poly-Glaze protective finish. Meets federal specification DD-M-00411b against silver spoilage and guaranteed for 15 years. All edges protected by shock-absorbing, neoprene tubing.
- **SHELF** fabricated of type 304 (18-8), 18-gauge stainless steel with exposed surfaces in architectural satin finish. Flanged front and side with welded, ground and polished corners, welded to frame.
- **SHELF BRACKETS** fabricated of 16 gauge stainless steel are provided on units exceeding 48" width.

## INSTALLATION:

Secure concealed mounting brackets to wall with screws (included) at holes provided. **NOTE:** Provide in-wall backing at mounting screw locations. Position mirror over mounting brackets to engage hanger tabs. Slide mirror down and lock into position.

## OPTIONAL FEATURES:

Feature	Suffix
<input type="checkbox"/> 1/4" tempered glass mirror in lieu of polished float glass mirror	-2
<input type="checkbox"/> Laminate glass	-3
<input type="checkbox"/> Highly polished No. 8 architectural finish, 20 gauge stainless steel in lieu of polished float glass mirror	-4
<input type="checkbox"/> Bright annealed 20 gauge stainless steel in lieu of polished float glass mirror	-5
<input type="checkbox"/> Plexiglass	-6

**NOTE:** An inherent characteristic of a manufacturing process is distortion which may vary from mirror to mirror.

## GUIDE SPECIFICATION:

Mirror shall be framed with one-piece, roll-formed stainless steel with 3/4" face and neatly mitered corners. Double-strength continuous integral stiffener on all sides. Back of unit shall be 20 gauge galvanized steel. Separate mounting brackets for concealed mounting. Integral 18 gauge stainless steel shelf shall have front and side flanges with welded and polished corners. Mirror shall be of first quality 1/4" polished float glass, guaranteed for 15 years against silver spoilage and protected by shock absorbing, neoprene tubing with Poly-Glaze protective finish.

Framed Mirror shall be Bradley Model 7815- \_\_\_\_\_ " W x \_\_\_\_\_ " H (specify width and height).

Bradex™ Models				
Width (Inches)	Height (Inches)	Overall Dimension (Inches)	Overall Dimension (Millimeters)	Standard Model Number
16"	20"	16 x 20	400 x 508	7815-1620
16"	24"	16 x 24	400 x 610	7815-1624
* 18"	24"	18 x 24	457 x 610	7815-1824
18"	30"	18 x 30	457 x 762	7815-1830
18"	36"	18 x 36	457 x 914	7815-1836
24"	30"	24 x 30	610 x 762	7815-2430
* 24"	36"	24 x 36	610 x 914	7815-2436

Model 7815 series channel framed mirrors can be fabricated to fit any architectural requirement. To specify sizes other than those indicated above, use the following formula: Model 7815 + width in inches x height in inches. Example 7815 - 3054.

\* Indicates available Tempered glass. **Bradex™**

Document No. 8790

This information is subject to change without formal notice.  
MD 3239-1198