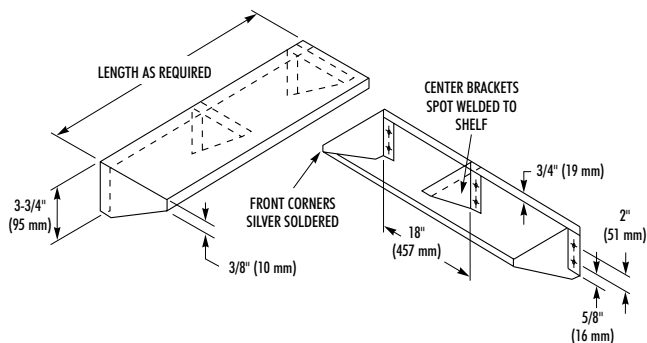


SHELF

- Surface Mounted
- Model 755 – 5" Depth
- Model 756 – 6" Depth
- Model 758 – 8" Depth



Bradex™ Models				
Depth (Inches)	Length (Inches)	Overall Dimension (Inches)	Overall Dimension (Millimeters)	Standard Model Number
5"	12"	5 x 12	127 x 305	755-12
5"	16"	5 x 16	127 x 406	755-16
5"	18"	5 x 18	127 x 457	755-18
5"	24"	5 x 24	127 x 610	755-24
5"	36"	5 x 36	127 x 914	755-36
5"	48"	5 x 48	127 x 1219	755-48
5"	60"	5 x 60	127 x 1524	755-60
6"	16"	6 x 16	152 x 406	756-16
6"	18"	6 x 18	152 x 457	756-18
6"	24"	6 x 24	152 x 610	756-24
6"	36"	6 x 36	152 x 914	756-36
8"	16"	8 x 16	203 x 406	758-16
8"	24"	8 x 24	203 x 610	758-24
8"	30"	8 x 30	203 x 762	758-30
8"	36"	8 x 36	203 x 914	758-36
8"	48"	8 x 48	203 x 1219	758-48
8"	60"	8 x 60	203 x 1524	758-60

Document No. 8765

This information is subject to change without formal notice.
MD 3239-1198

MODEL 755
756
758

CONSTRUCTION:

- SHELF fabricated of type 304 (18-8), 18 gauge stainless steel with exposed surfaces in architectural satin finish. End brackets are integral.
- CENTER BRACKETS (shelves over 24" length) fabricated of type 304 (18-8), 16 gauge stainless steel. Welded to shelf.

INSTALLATION:

Secure to wall with mounting screws (included) at holes provided.

Length	No. of Center Brackets
6" to 24"	0
25" to 48"	1
49" to 72"	2
73" to 96"	3
97" to 112"	4

GUIDE SPECIFICATION:

Surface mounted shelf shall be fabricated of type 304 (18-8), 18 gauge stainless steel with exposed surfaces in satin finish and integral end brackets. Shelves over 24" long shall have 16 gauge intermediate support brackets of matching stainless steel.

Surface Mounted Shelf shall be Bradley Model 755 (756, 758)-_____"
(specify length).