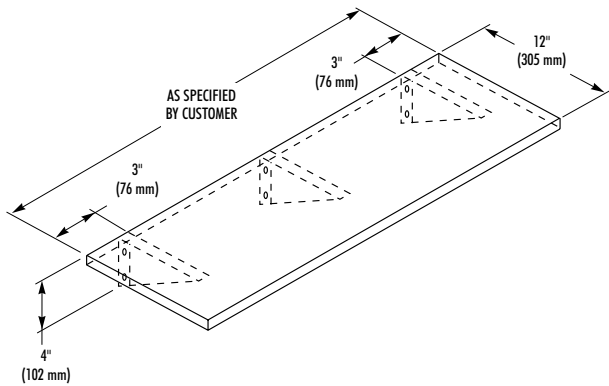


SHELF

- Surface Mounted



CONSTRUCTION:

- **SHELF** fabricated of type 304 (18-8), 18 gauge stainless steel with exposed surfaces in architectural satin finish and welded corners. 1/2" welded edge for maximum rigidity.

INSTALLATION:

- **BRACKETS** fabricated of type 304 (18-8), 16 gauge stainless steel.

Secure to wall with mounting screws (included) at holes provided.

Length	No. of Center Brackets
6" to 24"	0
25" to 48"	1
49" to 72"	2
73" to 96"	3
97" to 112"	4

GUIDE SPECIFICATION:

Surface mounted shelf shall be fabricated of type 304 (18-8), 18 gauge stainless steel with exposed surfaces in satin finish and welded corners. 1/2" welded edge for maximum rigidity. Shelf support brackets to be type 304 stainless steel, 16 gauge and welded to shelf. Shelves over 24" long shall have intermediate bracket.

Surface Mounted Shelf shall be Bradley Model 7512-_____ (specify length).