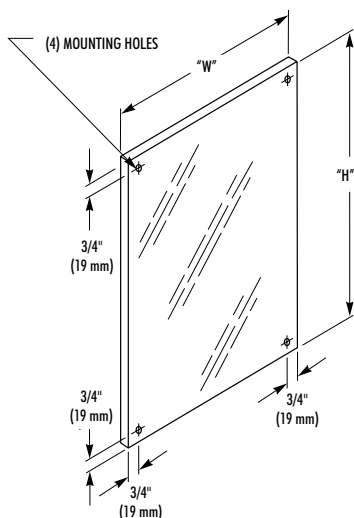


# STAINLESS STEEL MIRROR

- Unbreakable
- Stainless Steel
- Bright Annealed



## CONSTRUCTION:

- **MIRROR** fabricated of type 430, 20 gauge bright annealed stainless steel. Material is stretcher leveled for uniformity. Surface is bright and smooth with mirror-like finish. 1/4" return conceals backing.
- **BACKING** of tempered Masonite bonded to mirror with adhesive.  
**NOTE:** Stainless steel mirrors will differ in optic quality from glass mirrors.

## INSTALLATION:

Secure to wall with tamper-resistant mounting screws (included) at holes provided.  
**NOTE:** Provide in-wall backing at mounting screw locations.

## GUIDE SPECIFICATION:

Mirror shall be fabricated of type 430 annealed stainless steel with bright, smooth reflective finish. Unit shall have 1/4" return to conceal 1/4" tempered Masonite backing bonded to mirror with adhesive.

**Stainless Steel Mirror shall be Bradley Model 7481- \_\_\_\_\_ " W x \_\_\_\_\_ " H (specify width and height).**

**APPROVED SUBMITTALS ARE REQUIRED FOR ALL MIRRORS LARGER THAN 24" X 24".**

**In larger sizes, these units are subject to distortion and/or "oil canning" for which Bradley Corporation cannot accept responsibility.**

<b>Bradex™ Models</b>				
Width (Inches)	Height (Inches)	Overall Dimension (Inches)	Overall Dimension (Millimeters)	Standard Model Number
16"	24"	16 x 24	406 x 610	7481-1624
18"	24"	18 x 24	457 x 610	7481-1824
18"	30"	18 x 30	457 x 762	7481-1830
18"	36"	18 x 36	457 x 914	7481-1836
24"	36"	24 x 36	610 x 914	7481-2436

APPROVED SUBMITTALS ARE REQUIRED FOR ALL MIRRORS LARGER THAN 24"x 24". In larger sizes, these units are subject to distortion and/or "oil canning" for which Bradley Corporation cannot accept responsibility.

Document No. 8750