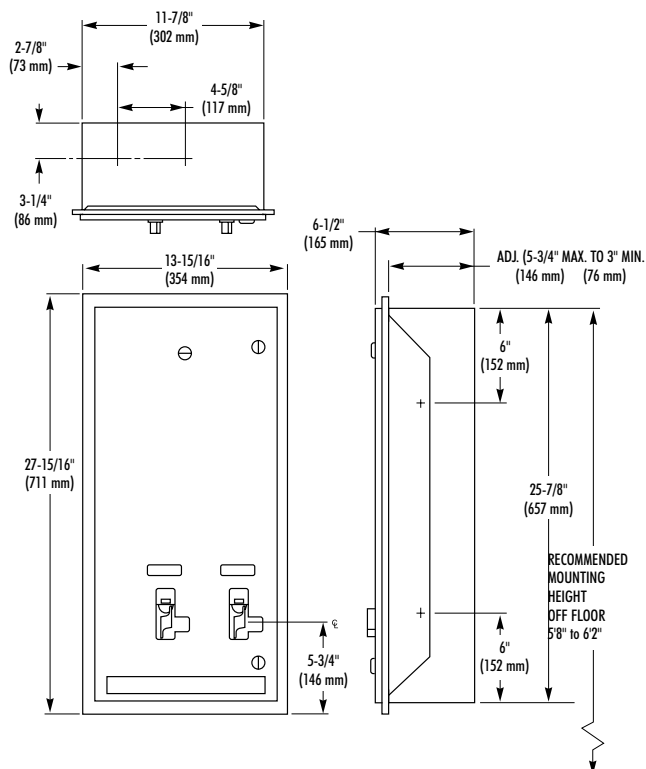
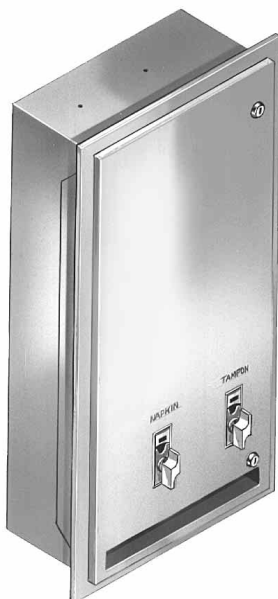


NAPKIN/TAMPON VENDOR

- Recessed or Semi-recessed Installation
Must Specify Operation

- Free — 40 **Bradex™**
- 10¢ — 42 **Bradex™**
- 25¢ — 45 **Bradex™**
- 50¢ — 43 **Bradex™**



CONSTRUCTION:

- **FLANGE** fabricated of type 304 (18-8), 22 gauge stainless steel with exposed surfaces in architectural satin finish. Flange of one piece seamless construction, 1" wide with 1/4" return. Slip type flange permits partial or full recess installation, or can be discarded for surface mounting.
- **CABINET** fabricated of type 304 (18-8), 22 gauge stainless steel with exposed surfaces in architectural satin finish. Welded construction with burr-free edges.
- **DOOR** fabricated of type 304 (18-8), 18 gauge stainless steel with exposed surfaces in architectural satin finish, with full length piano hinge and two tumbler locks keyed like other Bradley units.
- **COIN BOX** inside cabinet fabricated of 22 gauge stainless steel, secured by a separate lock keyed differently than door locks. Coin mechanisms are available with free, \$.10, .25 or .50 operation. Two mechanisms are included. Coin mechanisms may be replaced in the field without removing cabinet from wall.

CAPACITY:

30 napkins (3" x 4-1/4" x 1" or smaller) and 28 tampons (5-1/8" long x 3/4" dia. or smaller). Dispenses all popular brands.

OPERATION:

Insertion of coin permits clockwise rotation of handle to dispense product. Will not accept coin when vendor is empty. Access door allows servicing of unit.

INSTALLATION:

Requires rough wall opening 12-1/2"W x 26-3/8"H x 6"D (fully recessed). Top of wall opening 5'8" to 6'2" from finished floor. For Barrier-Free applications, top of wall opening 5' 2-1/8" from finished floor. Secure flange to rough wall opening using screws (included). Insert cabinet through flange into wall opening. Secure cabinet to framing with screws (included) at holes provided. Shim at screw points as required.

GUIDE SPECIFICATION:

Recessed or semi-recessed combination napkin/tampon vendor shall be fabricated of type 304 (18-8) 22 gauge stainless steel with exposed surfaces in satin finish. Door shall be fabricated of 18 gauge stainless steel with a full length piano hinge and two tumbler locks keyed like other Bradley units. Two coin mechanisms shall permit dispensing thirty napkins and twenty-eight tampons and be available free, \$.10, .25 and .50 coin operation.

Recessed or Semi-recessed Combination Napkin/Tampon Vendor shall be Bradley Model 401-_____ (specify coin operation).