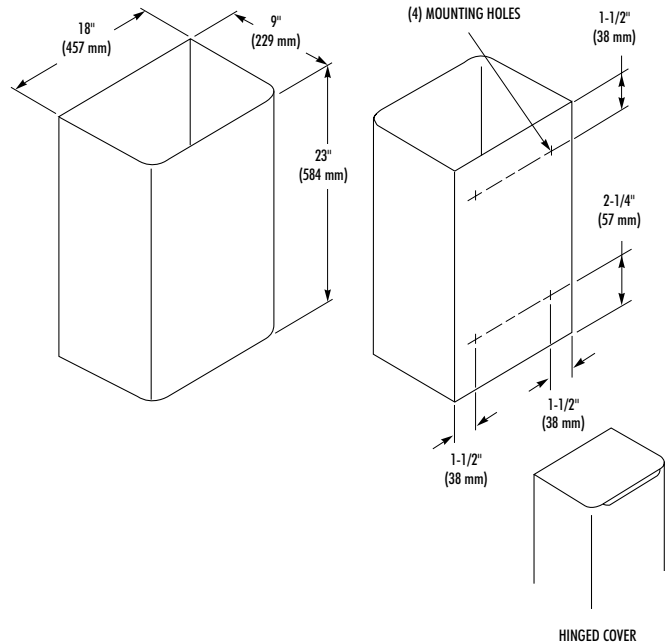


WASTE RECEPTACLE

- Surface Mounted
- 16.5 Gallon Capacity

Bradex™



MODEL 356

When installed as specified below, unit meets Barrier-Free requirements

CONSTRUCTION:

- **RECEPTACLE** fabricated of type 304 (18-8), 22 gauge stainless steel with exposed surfaces in architectural satin finish. All welded construction with rounded front corners.
- **LINER** (optional) fabricated of heavy duty stitched vinyl with brass grommets.
- **HINGED COVER** (optional) fabricated of type 304 (18-8), 22 gauge stainless steel with exposed surfaces in architectural satin finish. Heavy duty stainless steel piano hinge.

CAPACITY:

16.5 gal. (2.2 cu. ft.).

OPERATION:

Optional vinyl liner is attached to receptacle at four grommet points, easily removed for servicing.

INSTALLATION:

Secure to wall with mounting screws (included) at holes provided.

OPTIONAL FEATURES:

Feature	Suffix
<input type="checkbox"/> Hinged cover	-35

GUIDE SPECIFICATION:

Surface mounted waste receptacle shall be fabricated of type 304 (18-8), 22 gauge stainless steel with seamless exposed surfaces in satin finish. Reuseable heavy duty vinyl liner (optional) holds 16.5 gal.

Overall dimensions: 18"W x 23"H x 9"D.

Surface Mounted Waste Receptacle shall be Bradley Model 356.

Document No. 8315

This information is subject to change without formal notice.
MD 3239-1198