
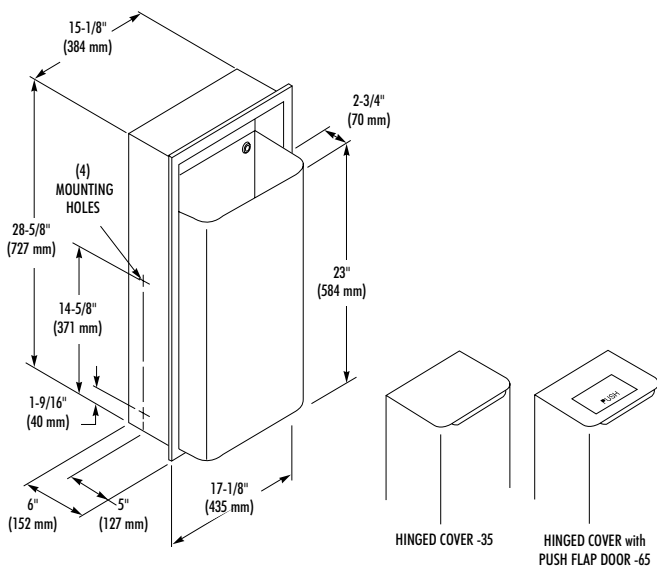


**MODEL 346**

 When installed as specified below, unit meets Barrier-Free requirements

**WASTE RECEPTACLE**

- Model 346 – Recessed **Bradex™**  
(Waste container projects 2-3/4")
- Model 346-10 – Semi-recessed  
(recesses 4"; projects 4-3/4")
- Model 346-11 – Surface Mounted (projects 8-3/4")



**CONSTRUCTION:**

- **FLANGE** fabricated of type 304 (18-8), 22 gauge stainless steel with exposed surfaces in architectural satin finish. One piece seamless construction, 1" wide with 1/4" return.
- **CABINET** fabricated of type 304 (18-8), heavy gauge stainless steel. All welded construction.
- **WASTE CONTAINER** fabricated of type 304 (18-8), 22 gauge stainless steel. All welded construction. Secured to cabinet with tumbler lock keyed like other Bradley units.
- **LINER** (optional) fabricated of heavy duty stitched vinyl with brass grommets.
- **HINGED COVER** (optional) fabricated of type 304 (18-8), 22 gauge stainless steel with exposed surfaces in architectural satin finish. Heavy duty stainless steel piano hinge.
- **PUSH FLAP DOOR** (optional) fabricated of type 304 (18-8), 22 gauge stainless steel with exposed surfaces in architectural satin finish. Heavy duty stainless steel piano hinge. Self-closing flap door is embossed "PUSH".

**CAPACITY:**

12 gal. (1.6 cu. ft.).

**OPERATION:**

Optional vinyl liner removable for servicing by unlocking waste container.

**INSTALLATION:**

Recessed unit requires rough wall opening 15-5/8"W x 29-1/8"H x 6"D (Semi-recessed unit only 4" deep). Top of wall opening 3'-1" min. to 3'-9" max. above finished floor. For Barrier-Free applications, top of wall opening 3'-6" above finished floor. Secure to framing with mounting screws (included) at holes provided. Shim at screw points as required.

**OPTIONAL FEATURES:**

Feature	Suffix
<input type="checkbox"/> Hinged cover	-35
<input type="checkbox"/> Hinged cover with push flap door	-65

**GUIDE SPECIFICATION:**

Recessed waste receptacle shall be fabricated of type 304 (18-8), heavy gauge stainless steel with seamless exposed surfaces in satin finish. Removable 12 gal. stainless steel waste receptacle. Heavy duty vinyl liner is optional. Secured to cabinet with tumbler lock.

Overall dimensions: 17-1/8"W x 30-5/8"H x 8-3/4"D.

**Recessed Waste Receptacle shall be Bradley Model 346.**

Document No. 8305

This information is subject to change without formal notice.  
MD 3239-1198