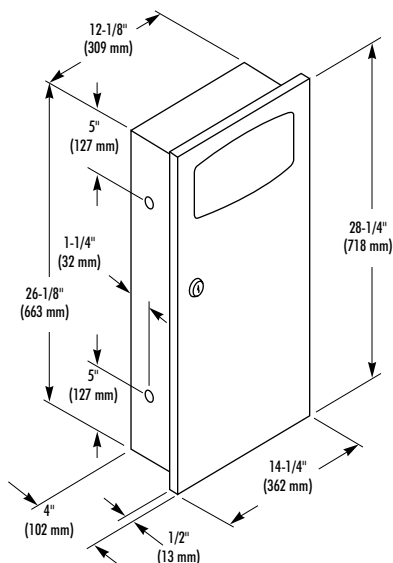
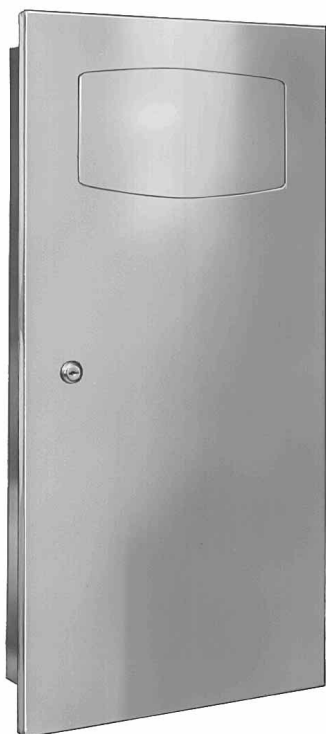


## WASTE RECEPTACLE

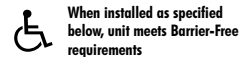
- Contemporary Series – Satin Finish
- Model 3257 – Recessed **Bradlex™**



Document No. 8285

This information is subject to change without formal notice.  
MD 3239-1198

## MODEL 3257



### CONSTRUCTION:

- **CABINET** fabricated of type 304 (18-8), 22 stainless steel with exposed surfaces in architectural satin finish. Welded construction with seamless corners and burr-free edges.
- **DOOR** fabricated of type 304 (18-8), 18 gauge stainless steel. 1/2" return for maximum rigidity. Concealed full length stainless steel piano hinge and tumbler lock keyed like other Bradley units.
- **PUSH FLAP DOOR** fabricated of type 304 (18-8), 22 gauge stainless steel with exposed surfaces in architectural satin finish. Heavy duty stainless steel piano hinge.
- **WASTE RECEPTACLE INSERT** fabricated of leakproof molded plastic.

### CAPACITY:

2.5 gal. (.4 cu. ft.).

### OPERATION:

Waste receptacle insert removable by unlocking cabinet door.

### INSTALLATION:

Recessed unit requires rough wall opening 12-5/8"W x 26-5/8"H x 4"D. Top of wall opening 4' 3" above finished floor. For Barrier-Free applications, top of wall opening 3'-7" above finished floor. Secure to framing with mounting screws (included) at holes provided. Shim at screw points as required.

### GUIDE SPECIFICATION:

Recessed waste receptacle shall be fabricated of heavy gauge type 304 (18-8) stainless steel with exposed surfaces in satin finish. Cabinet door of 18 gauge stainless steel with full length piano hinge and secured by tumbler lock. Removable 2.5 gal. leakproof molded plastic insert for waste receptacle.

Overall dimensions: 14-1/4"W x 28-1/4"H x 4"D.

**Recessed Waste Receptacle shall be Bradley Model 3257.**