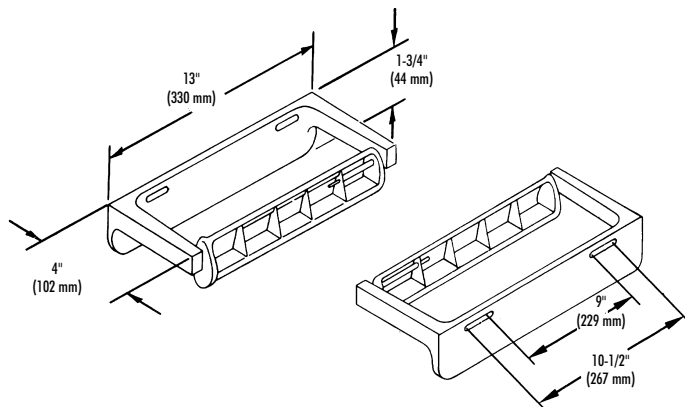


TOWEL DISPENSER

- Surface Mounted
- Roll Paper Towels

Bradex™



CONSTRUCTION:

- **BRACKET** fabricated of die-cast aluminum.
- **SPINDLE** fabricated of die-cast aluminum with stainless steel spring.

CAPACITY:

One roll standard core paper towels to 6" diameter.

OPERATION:

Remove tissue roll core to access special locking mechanism for servicing. Stops on spindle control paper delivery. Spindle revolves only 1/2 turn for each dispensing operation and returns to original position.

INSTALLATION:

Secure to wall with mounting screws (included) at holes provided.

GUIDE SPECIFICATION:

Surface mounted roll paper towel dispenser shall be die-cast aluminum with satin finish, accommodate one standard core paper towel roll and include a controlled delivery mechanism.

Overall dimensions: 13"W x 1-3/4"H x 4"D.

Surface Mounted Roll Paper Towel Dispenser shall be Bradley Model 259.