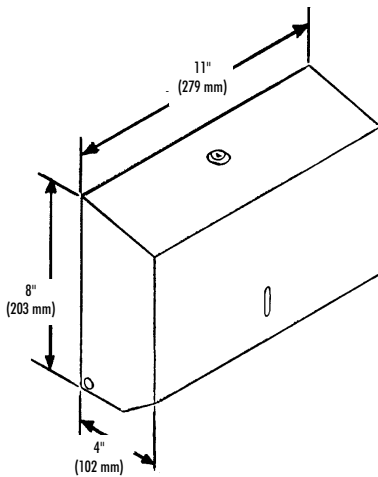


## TOWEL DISPENSER

- Surface Mounted
- C-Fold/Multi-Fold Towels
- Tumbler Lock

**Bradex™**



**MODEL 252**



When installed as specified below, unit meets Barrier-Free requirements

### CONSTRUCTION:

- **UNIT** fabricated of type 304 (18-8), 22 gauge stainless steel with exposed surfaces in architectural satin finish. Smooth corners, free of burrs and sharp edges. Tumbler lock keyed like other Bradley units. Cabinet hinged at bottom to allow easy filling. Refill indicator slot on face of cabinet. Rolled edge on dispenser opening.

### CAPACITY:

350 multi-fold or 200 C-fold paper towels.

### OPERATION:

Unit holds multi-fold or C-fold towels without use of special adapter.

### INSTALLATION:

Secure to wall with mounting screws (included) at holes provided.

### GUIDE SPECIFICATION:

Surface mounted towel dispenser shall be fabricated of type 304 (18-8), 22 gauge stainless steel with exposed surfaces in satin finish. Refill indicator on face of cabinet. Tumbler lock to secure hinged front panel. Towel dispenser capacity 350 multi-fold or 200 C-fold towels.

Overall dimensions: 11"W x 8"H x 4"D.

**Surface Mounted Towel Dispenser shall be Bradley Model 252.**

Document No. 8225

This information is subject to change without formal notice.  
MD 3239-1198