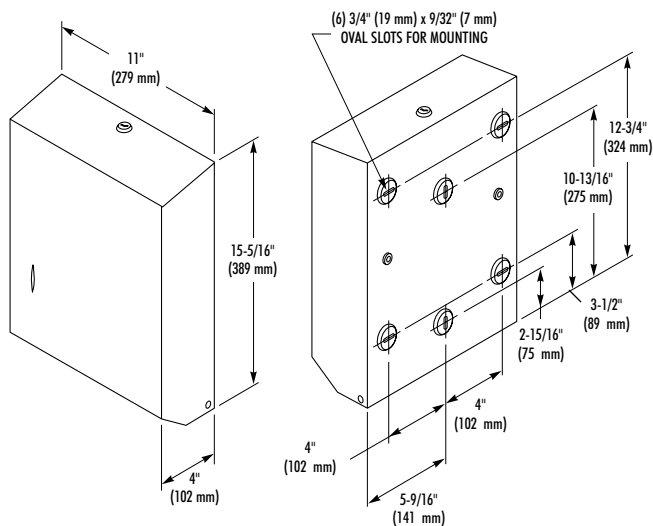


TOWEL DISPENSER

- Surface Mounted
 - C-Fold/Multi-Fold Towels
 - White Enamel Finish
- Bradex™**



CONSTRUCTION:

- UNIT fabricated of 20 gauge electrolytically coated corrosion-resistant steel with white baked enamel finish. Smooth corners, free of burrs and sharp edges. Tumbler lock at rear of top. Cabinet hinged at bottom to allow easy filling. Refill indicator slot on face of cabinet. Rolled edge on dispenser opening.

CAPACITY:

500 multi-fold or 300 C-fold paper towels.

OPERATION:

Unit holds multi-fold or C-fold towels without use of special adaptor.

INSTALLATION:

Secure to wall with mounting screws (included) at holes provided.

GUIDE SPECIFICATION:

Surface mounted towel dispenser shall be fabricated of 20 gauge electrolytically coated corrosion-resistant steel with white baked enamel finish. Refill indicator on face of cabinet. Tumbler lock to secure hinged front cabinet.

Towel dispenser capacity 500 multi-fold or 300 C-fold towels.

Overall dimensions: 11"W x 15-1/4"H x 4"D.

Surface Mounted Towel Dispenser shall be Bradley Model 250-33.