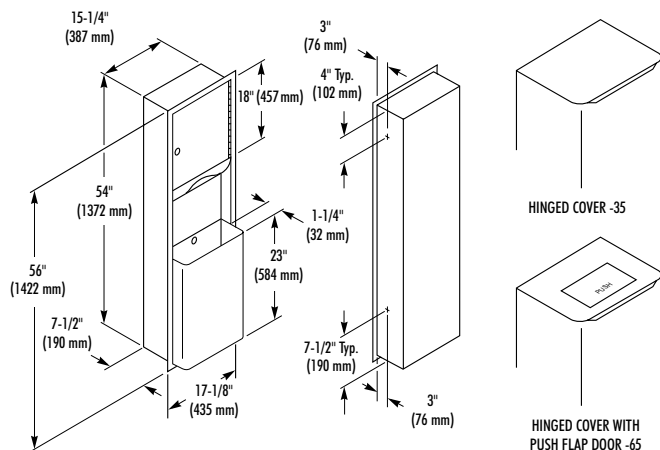



# TOWEL DISPENSER/ WASTE RECEPTACLE

- Model 237 – Recessed **Bradex™**
- Model 237-10 – Semi-recessed **Bradex™**  
(recesses 3-1/2"; projects 4")
- Model 237-11 – Surface Mounted **Bradex™**  
(projects 7-1/2")



# MODEL 237

 When installed as specified below, unit meets Barrier-Free requirements

## CONSTRUCTION:

- **FLANGE** fabricated of type 304 (18-8), 22 gauge stainless steel with exposed surfaces in architectural satin finish. One piece seamless construction, 1" wide with 1/4" return.
- **CABINET** fabricated of type 304 (18-8), 22 gauge stainless steel with exposed surfaces in architectural satin finish. Welded construction with seamless corners and burr-free edges.
- **DOOR** fabricated of type 304 (18-8), 18 gauge stainless steel. Warp resistant, with full length piano hinge and tumbler lock keyed like other Bradley units.
- **TOWEL DISPENSER** fabricated of type 304 (18-8), 22 gauge stainless steel. Rolled edge on dispenser opening.
- **WASTE RECEPTACLE** fabricated of type 304 (18-8), 22 gauge stainless steel. All welded construction. Secured to cabinet with tumbler lock keyed like other Bradley units.
- **LINER** (optional) fabricated of heavy duty stitched vinyl with brass grommets.
- **CUP DISPENSER** (optional) fabricated of type 304 (18-8), 22 gauge stainless steel.
- **HINGED COVER** (optional) fabricated of type 304 (18-8), 22 gauge stainless steel with exposed surfaces in architectural satin finish. Heavy duty stainless steel piano hinge.
- **PUSH FLAP DOOR** (optional) fabricated of type 304 (18-8), 22 gauge stainless steel with exposed surfaces in architectural satin finish. Heavy duty stainless steel piano hinge. Self-closing flap door is embossed "PUSH".

## CAPACITY:

Towel Dispenser - 1100 single-fold, 800 multi-fold or 600 C-fold paper towels; Waste Container - 12 gal. (1.6 cu. ft.); Cup Dispenser (optional) - 100 3-oz. cups.

## OPERATION:

Towel dispenser holds single-fold, multi-fold or C-fold towels without use of special adaptor. Optional vinyl liner removable for servicing by unlocking waste container.

## INSTALLATION:

Recessed unit requires rough wall opening 15-3/4"W x 54-1/2"H x 7-1/2"D (Semi-recessed unit only 3-1/2" deep). Top of wall opening 5'-2" min. to 6'-6" max. above finished floor. For Barrier-Free applications, top of wall opening 4'-11" above finished floor. Secure to framing with mounting screws (included) at holes provided. Shim at screw points as required.

## OPTIONAL FEATURES:

Feature	Suffix
<input type="checkbox"/> Mirror	-19
<input type="checkbox"/> Cup Dispenser	-27
<input type="checkbox"/> Hinged Cover	-35
<input type="checkbox"/> Large Capacity Waste Receptacle - 18 gal.	-36
<input type="checkbox"/> Hinged Cover with Push Flap Door	-65

## GUIDE SPECIFICATION:

Recessed combination towel dispenser and waste receptacle shall be fabricated of type 304 (18-8), 22 gauge stainless steel with exposed surfaces in satin finish. Cabinet doors with full length piano hinge and secured by tumbler lock. Towel dispenser capacity 1100 single-fold, 800 multi-fold or 600 C-fold towels. Removable 12 gal. stainless steel waste receptacle. Reusable vinyl liner is optional.

Overall dimensions: 17-1/8"W x 56"H x 7-1/2"D.

**Recessed Combination Towel Dispenser and Waste Receptacle shall be Bradley Model 237.**

Document No. 8145

This information is subject to change without formal notice.  
MD 3239-1198