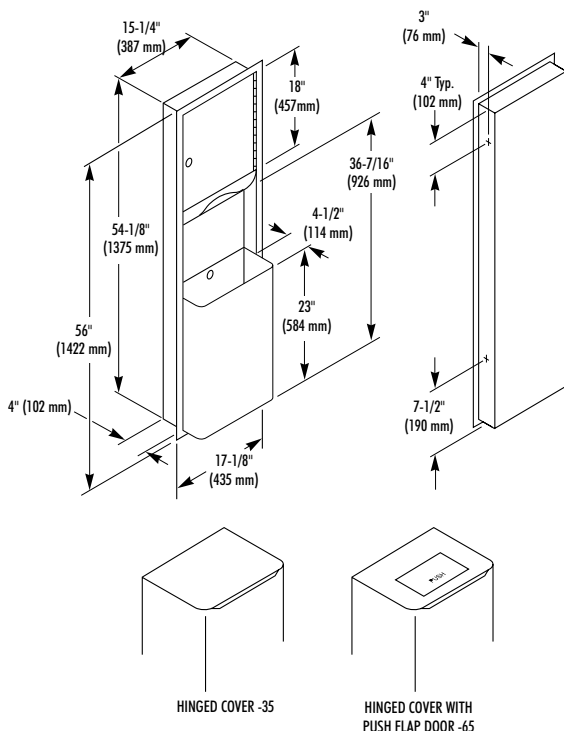


# TOWEL DISPENSER/ WASTE RECEPTACLE

- Model 234 – Recessed **Bradex™**
- Model 234-10 – Semi-recessed **Bradex™**  
(recesses 2"; projects 6-1/2")
- Model 234-11 – Surface Mounted **Bradex™**  
(projects 8-1/2")



HINGED COVER -35

HINGED COVER WITH  
PUSH FLAP DOOR -65

Document No. 8130

This information is subject to change without formal notice.  
MD 3239-1198

## MODEL 234

When installed as specified below, unit meets Barrier-Free requirements

### CONSTRUCTION:

- **FLANGE** fabricated of type 304 (18-8), 22 gauge stainless steel with exposed surfaces in architectural satin finish. One piece seamless construction, 1" wide with 1/4" return.
- **CABINET** fabricated of type 304 (18-8), 22 gauge stainless steel with exposed surfaces in architectural satin finish. Welded construction with seamless corners and burr-free edges.
- **DOOR** fabricated of type 304 (18-8), 18 gauge stainless steel. Warp resistant, with full length piano hinge and tumbler lock keyed like other Bradley units.
- **TOWEL DISPENSER** fabricated of type 304 (18-8), 22 gauge stainless steel. Rolled edge on dispenser opening.
- **WASTE CONTAINER** fabricated of type 304 (18-8), 22 gauge stainless steel. All welded construction. Secured to cabinet with tumbler lock keyed like other Bradley units.
- **LINER** (optional) fabricated of heavy duty stitched vinyl with brass grommets.
- **CUP DISPENSER** (optional) fabricated of type 304 (18-8), 22 gauge stainless steel.
- **HINGED COVER** (optional) fabricated of type 304 (18-8), 22 gauge stainless steel with exposed surfaces in architectural satin finish. Heavy duty stainless steel piano hinge.
- **PUSH FLAP DOOR** (optional) fabricated of type 304 (18-8), 22 gauge stainless steel with exposed surfaces in architectural satin finish. Heavy duty stainless steel piano hinge. Self-closing flap door is embossed "PUSH".

### CAPACITY:

Towel Dispenser-800 multi-fold or 600 C-fold paper towels; Waste Container-12 gal. (1.6 cu. ft.); Cup Dispenser (optional)-100 3-oz. cups.

### OPERATION:

Towel dispenser holds multi-fold or C-fold towels without use of special adaptor. Optional vinyl liner removable for servicing by unlocking waste container.

### INSTALLATION:

Recessed unit requires rough wall opening 15-3/4"W x 54-5/8"H x 4"D (Semi-recessed unit only 2" deep). Top of wall opening 5'-2" min. to 6'-5" max. above finished floor. For Barrier-Free application, top of wall opening 4'-11" above finished floor. Secure to framing with mounting screws (included) at holes provided. Shim at screw points as required.

### OPTIONAL FEATURES:

Feature	Suffix
<input type="checkbox"/> Mirrored cabinet door in lieu of stainless steel	-19
<input type="checkbox"/> Cup dispenser	-27
<input type="checkbox"/> Hinged cover	-35
<input type="checkbox"/> Hinged cover with push flap door	-65
<input type="checkbox"/> Large capacity waste receptacle - 18 gal.	-36

### GUIDE SPECIFICATION:

Recessed combination towel dispenser and waste receptacle shall be fabricated of type 304 (18-8), 22 gauge stainless steel with exposed surfaces in satin finish. Towel cabinet door of warp-free construction, equipped with piano hinge and secured by tumbler lock. Towel dispenser capacity 800 multi-fold or 600 C-fold towels. Removable 12 gal. stainless steel waste receptacle. Reusable vinyl liner is optional.

Overall dimensions: 17-1/8"W x 56"H x 8-1/2"D.

**Recessed Combination Towel Dispenser and Waste Receptacle shall be Bradley Model 234.**