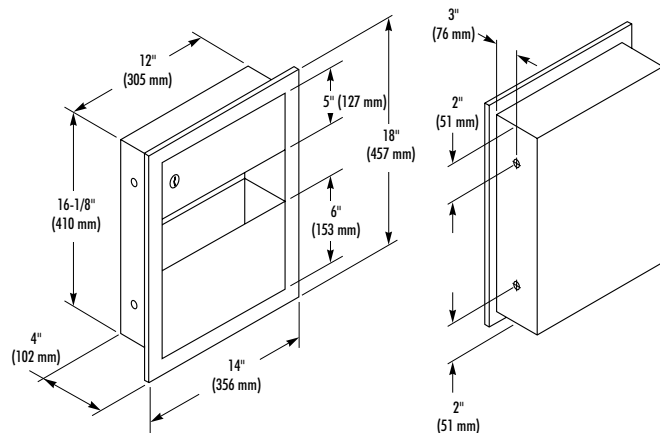



TOWEL DISPENSER/ WASTE RECEPTACLE

- Model 229 – Recessed **Bradex™**
- Model 229-10 – Semi-recessed **Bradex™**
(recesses 2"; projects 2")
- Model 229-11 – Surface Mounted **Bradex™**
(projects 4")



MODEL 229

 When installed as specified below, unit meets Barrier-Free requirements

CONSTRUCTION:

- **FLANGE** fabricated of type 304 (18-8), 22 gauge stainless steel with exposed surfaces in architectural satin finish. One piece seamless construction, 1" wide with 1/4" return.
- **CABINET** fabricated of type 304 (18-8), heavy gauge stainless steel. All welded construction.
- **DOOR** fabricated of type 304 (18-8), 22 gauge stainless steel with full length piano hinge and tumbler lock keyed like other Bradley units.
- **TOWEL DISPENSER** fabricated of type 304 (18-8), 22 gauge stainless steel. Rolled edge on dispenser opening.
- **WASTE RECEPTACLE INSERT** fabricated of type 304 (18-8), 22 gauge stainless steel.

CAPACITY:

Towel Dispenser-200 multi-fold or 100 C-fold paper towels; Waste Receptacle-1.25 gal. (.2 cu. ft.).

OPERATION:

Towel dispenser holds multi-fold or C-fold towels without use of special adaptor. Waste receptacle removable for easy servicing.

INSTALLATION:

Recessed unit requires rough wall opening 12-1/2"W x 16-1/2"H x 4"D (Semi-recessed unit only 2" deep). Top of wall opening 5'-11" above finished floor. For Barrier-Free application, top of wall opening 3'-10" above finished floor. Secure to framing with mounting screws (included) at holes provided. Shim at screw points as required.

GUIDE SPECIFICATION:

Recessed combination towel cabinet and waste receptacle shall be fabricated of type 304 (18-8), stainless steel with exposed surfaces in satin finish. Door of nonflexing construction, equipped with full length piano hinge and tumbler lock. Towel dispenser capacity 200 multi-fold or 100 C-fold towels. Removable 1.25 gal. stainless steel waste receptacle.

Overall dimensions: 14"W x 18"H x 4"D.

Recessed Combination Towel Dispenser and Waste Receptacle shall be Bradley Model 229.