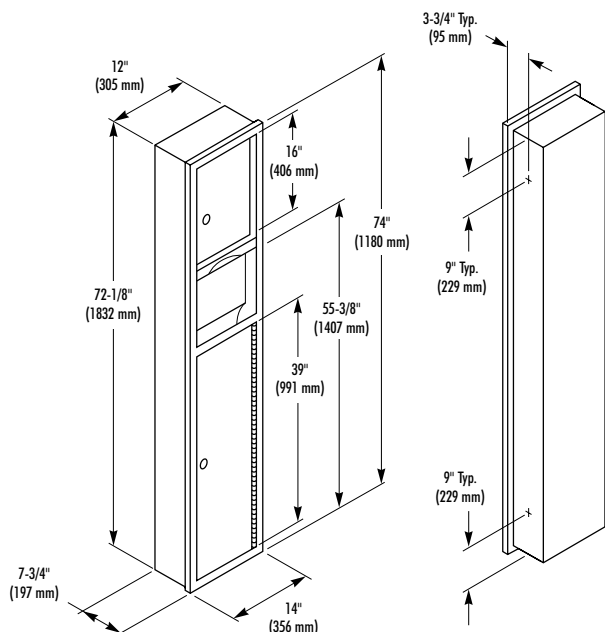


TOWEL DISPENSER/ WASTE RECEPTACLE

- Model 225 – Recessed **Bradex™**
- Model 225-10 – Semi-recessed **Bradex™**
(recesses 3-1/2"; projects 4")
- Model 225-11 – Surface Mounted **Bradex™**
(projects 7-1/2")



Document No. 8080

This information is subject to change without formal notice.
MD 3239-1198

CONSTRUCTION:

- **FLANGE** fabricated of type 304 (18-8), 22 gauge stainless steel with exposed surfaces in architectural satin finish. One piece seamless construction, 1" wide with 1/4" return.
- **CABINET** fabricated of type 304 (18-8), 22 gauge stainless steel with exposed surfaces in architectural satin finish. Welded construction with seamless corners and burr-free edges.
- **DOORS** fabricated of type 304 (18-8), 18 gauge stainless steel. Warp resistant, with full length piano hinge and tumbler lock keyed like other Bradley units.
- **TOWEL DISPENSER** fabricated of type 304 (18-8), 22 gauge stainless steel. Rolled edge on dispenser opening.
- **WASTE RECEPTACLE INSERT** fabricated of leakproof molded plastic.
- **PUSH FLAP DOOR** (optional) fabricated of type 304 (18-8), 22 gauge stainless steel with exposed surfaces in architectural satin finish. Heavy duty stainless steel piano hinge. Self-closing flap door is embossed "PUSH".

CAPACITY:

Towel Dispenser—1000 single-fold, 800 multi-fold or 600 C-fold paper towels;
Waste Receptacle Insert—10.5 gal. (1.3 cu. ft.).

OPERATION:

Towel dispenser holds single-fold, multi-fold or C-fold towels without use of special adaptor. Waste receptacle insert removable by unlocking receptacle door.

INSTALLATION:

Recessed unit requires rough wall opening 12-1/2"W x 72-3/4"H x 7-3/4"D (Semi-recessed unit only 3-1/2" deep). Top of wall opening 6'-5" above finished floor. Secure to framing with mounting screws (included) at holes provided. Shim at screw points as required.

OPTIONAL FEATURES:

Feature	Suffix
<input type="checkbox"/> Self-closing push-flap door	-35

GUIDE SPECIFICATION:

Recessed combination towel dispenser and waste receptacle shall be fabricated of type 304 (18-8), 22 gauge stainless steel with exposed surfaces in satin finish and burr-free edges. Doors of nonflexing construction, equipped with full length piano hinges and tumbler locks. Towel dispenser capacity 1000 single-fold, 800 multi-fold or 600 C-fold towels. Removable 10.5 gal. leakproof molded plastic insert for waste receptacle.

Overall dimensions: 14"W x 74"H x 7-3/4"D.

Recessed Combination Towel Dispenser and Waste Receptacle shall be Bradley Model 225.