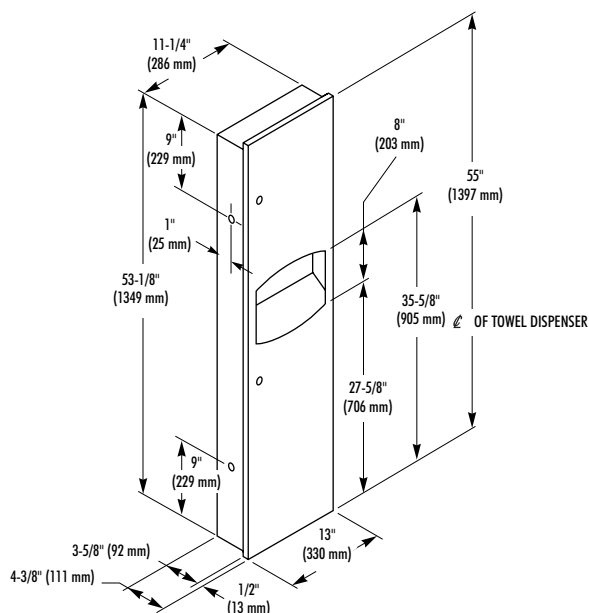


TOWEL DISPENSER/ WASTE RECEPTACLE


- Contemporary Series – Satin Finish
- Model 2027 – Recessed **Bradlex™**
- Model 2027-10 – Semi-recessed (recesses 2-3/8"; projects 2")
- Model 2027-11 – Surface Mounted **Bradlex™** (projects 4-3/8")



Document No. 8070

This information is subject to change without formal notice.
MD 3239-1198

MODEL 2027

 When installed as specified below, unit meets Barrier-Free requirements

CONSTRUCTION:

- **CABINET** fabricated of type 304 (18-8) 22 gauge stainless steel with exposed surfaces in architectural satin finish. Welded construction with seamless corners and burr-free edges.
- **DOOR** fabricated of type 304 (18-8) 18 gauge stainless steel, 1/2" return for maximum rigidity. Concealed full-length stainless steel piano hinge, 2 tumbler locks keyed like other Bradley units.
- **TOWEL DISPENSER** fabricated of type 304 (18-8) 22 gauge stainless steel. Rolled edge on dispenser opening.
- **WASTE RECEPTACLE INSERT** fabricated of leakproof molded plastic.

CAPACITY:

Towel Dispenser-800 multi-fold or 600 C-fold paper towels. Waste Receptacle Insert-3.75 gal. (.5 cu. ft.).

OPERATION:

Towel dispenser holds multi-fold or C-fold towels without use of special adaptor. Waste receptacle insert removable by unlocking cabinet door.

INSTALLATION:

Recessed unit requires rough wall opening 11-3/4"W x 53-5/8"H x 4-3/8"D (Semi-recessed unit only 2-1/2" deep). Top of wall opening 5'0" above finished floor (meets Barrier-free requirements). Secure to framing with mounting screws (included) at holes provided. Shim at screw points as required.

GUIDE SPECIFICATION:

Recessed combination towel dispenser and waste receptacle shall be fabricated of heavy gauge type 304 (18-8) stainless steel with exposed surfaces in satin finish. Cabinet door of 18 gauge stainless steel with full length concealed piano hinge and secured by 2 tumbler locks. Towel dispenser capacity 800 multi-fold or 600 C-fold towels. Removable 3.75 gal. leakproof molded plastic insert for waste receptacle.

Overall dimensions: 13"W x 55"H x 4-3/8"D.

Recessed Combination Towel Dispenser and Waste Receptacle shall be Bradley Model 2027.