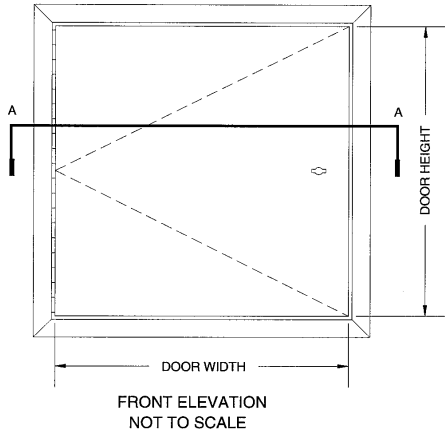


C-UT SERIES

C-UT; UNINSULATED FIRE RATED ACCESS PANEL FOR ALL SURFACES
RATED FOR WALLS

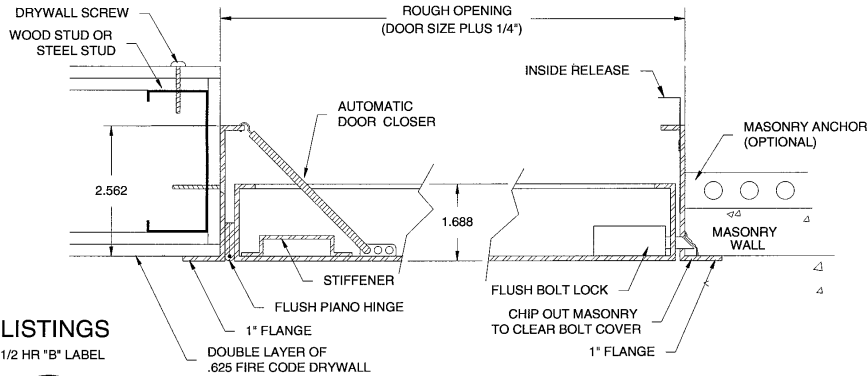


SPECIFICATIONS

- 16 GAUGE COLD ROLLED STEEL FRAME
- 14 GAUGE COLD ROLLED STEEL DOOR
- PHOSPHATE DIPPED WITH BAKED ON RUST INHIBITIVE GRAY PRIME FINISH
- FLUSH CONTINUOUS PIANO HINGE
- FRAMES PROVIDED WITH 1/4" MOUNTING HOLES
- FLUSH KEY OR METAL KNURLED KNOB OPERATED LOCK
- SPRING DOOR CLOSURE
- 1" WIDE EXPOSED FLANGE
- INTERIOR RELEASE MECHANISM ON PANELS GREATER THAN 18"

OPTIONS

- GALVANIZED BONDERIZED STEEL
- STAINLESS STEEL WITH #4 SATIN POLISH FINISH
- STAINLESS STEEL CONTINUOUS PIANO HINGE WITH STAINLESS STEEL PIN (AVAILABLE ON STAINLESS STEEL PANELS ONLY)
- CONCEALED PIN HINGE
- MASONRY ANCHORS
- MORTISE PREPARATION - 1.125" CYLINDER BY OTHERS (OR BY CIERRA)



LISTINGS

1 1/2 HR "B" LABEL



A
A CUT-THRU SECTION
NOT TO SCALE

Distributed by:

AmeraProducts, Inc.

Tele: 1-800-608-6568

Fax: (409) 842-5852

Email: Info@ameraproducts.com

www.Accesspanels.com

Manufactured by Cierra Products

PROJECT:

CONTRACTOR:

ARCHITECT:

DRAWN BY:

CMR

REV. DATE:

04-01-99

QUANTITY:

DATE:

TITLE: C-UT.DOC