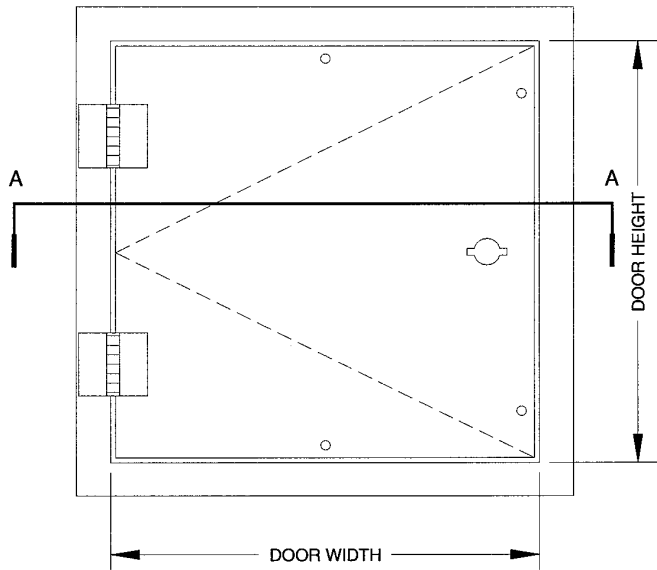


# C-HS SERIES

C-HS; HIGH SECURITY NON-RATED ACCESS PANEL FOR ALL SURFACES



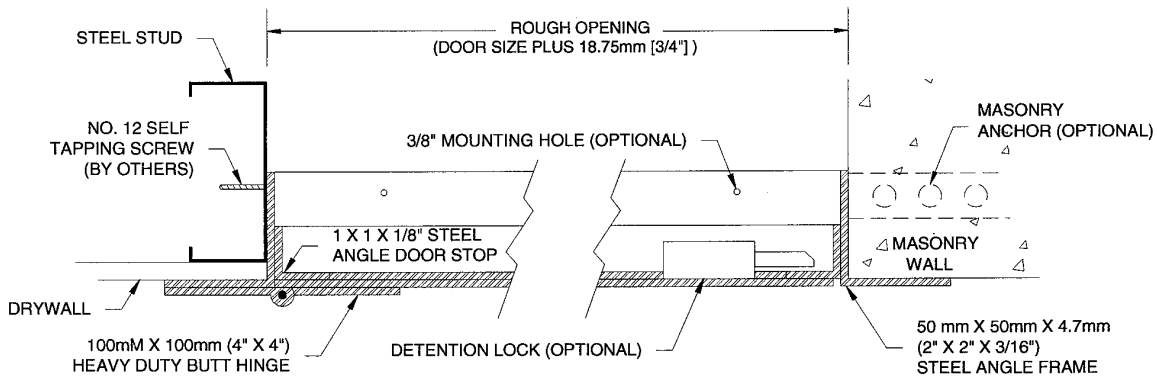
FRONT ELEVATION  
NOT TO SCALE

## SPECIFICATIONS

- 50mm x 50mm x 4.7mm (2 X 2 X 3/16") STEEL ANGLE FRAME
- 25mm x 25mm x 3.125mm (1 X 1 X 1/8") STEEL ANGLE DOOR STOP
- 10 GAUGE STEEL PLATE DOOR
- ALL EXPOSED JOINTS WELDED, FILLED AND GROUND SMOOTH
- PHOSPHATE DIPPED WITH BAKED ON RUST INHIBITIVE PRIME FINISH
- 100mm x 100mm (4" X 4") BUTT HINGE WELDED TO DOOR AND FRAME
- PINNED ALLEN HEAD SECURITY SCREWS (STANDARD ON PANELS 24 X 24 AND LARGER)

## OPTIONS

- MORTISE PREPARATION - 1 1/8" CYLINDER PROVIDED BY OTHERS (OR BY CIERRA)
- HEAVY DUTY DETENTION DEADBOLT LOCK
- ZINC RICH COMPOUND APPLIED TO ALL SURFACES
- MASONRY ANCHORS ATTACHED



A CUT-THRU SECTION  
A NOT TO SCALE

Distributed by:

AmeraProducts, Inc.

Tele: 1-800-608-6568

Fax: (409) 842-5852

Email: [Info@ameraproducts.com](mailto:Info@ameraproducts.com)

[www.Accesspanels.com](http://www.Accesspanels.com)

Manufactured by Cierra Products

PROJECT:

CONTRACTOR:

ARCHITECT:

DRAWN BY:  
CMR

REV. DATE:  
04-01-99

QUANTITY:

DATE:

TITLE: C-HS.DOC