

ITEM NO.	PART NUMBER	DESCRIPTION
1	DR-KIT-PI-9	KIT - 9" PRESSURE INTENSIFIER
2	DR-KIT-PI-15	KIT - 15" PRESSURE INTENSIFIER
3	DR-KIT-HOA	KIT - HOLD OPEN ARM
4	DR-KIT-1PL	KIT - ONE POINT LATCH
5	DR-KIT-2PL-XXX	KIT- XX INCH TWO POINT LATCH
6	DR-KIT-GSKT-12	KIT - GASKET
7	DR-KIT-SC	KIT - STOP CABLE

REVISIONS					
REV	ECO	DESCRIPTION	REV. DATE	REV. BY	REV. CHECKED BY
B	1398	GALVANNEAL PROJECT	02/16/2023	AJV	BLR

RULES:

9" PRESSURE INTENSIFIER:

UNIT SIZE <= 42" X 36"

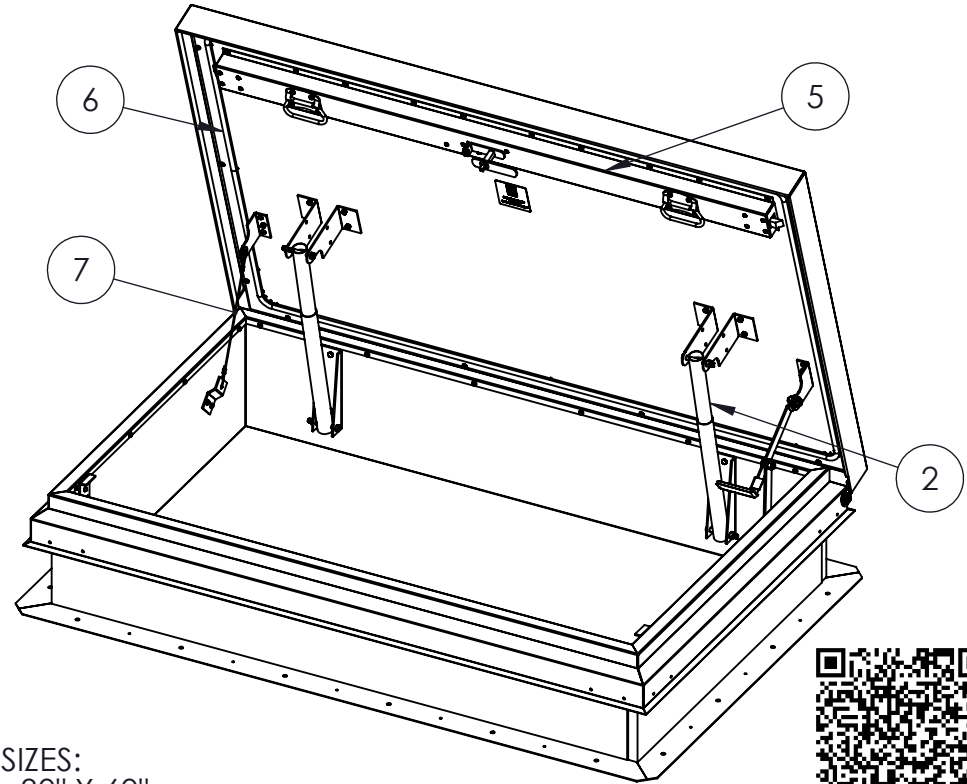
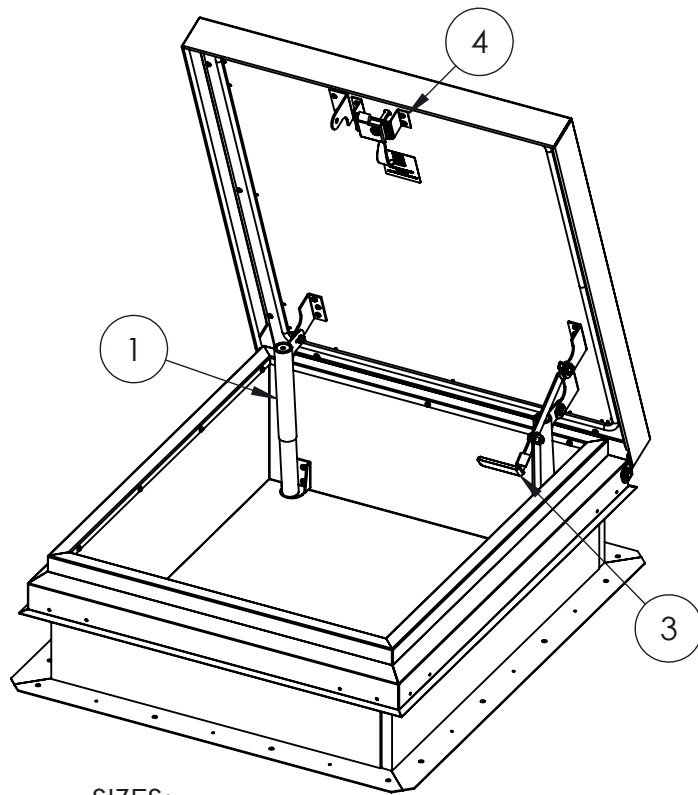
15" PRESSURE INTENSIFIER:

UNIT SIZE > 42" X 36"

OR UNIT SIZE >= 30" X 48"

ONE POINT LATCH: UNIT LENGTH <= 54"

TWO POINT LATCH: UNIT LENGTH > 54"



SIZES:

- 36" X 30"
- 36" X 36"
- 37" X 30"
- 48" X 48"
- 30" X 54"

SIZES:

- 30" X 60"
- 36" X 96"
- 32" X 72"
- 30" X 96"



MATERIAL		
FINISH		
CREATED	NAME AJV	DATE 02/10/2023
CHECKED	BLR	2/10/2023

SHEET 1 OF 1
UNLESS OTHERWISE SPECIFIED:
DIMENSIONS ARE IN INCHES
TOLERANCES:
ANGULAR: BEND ±1°
.XX ±.020
.XXX ±.015
HOLES ±.005

ACTIVAR
CONSTRUCTION PRODUCTS GROUP, INC.

TITLE: DUR-RED REPLACEMENTS ROOF HATCH KIT

CONFIDENTIALITY STATEMENT
PROPRIETARY AND CONFIDENTIAL. THE INFORMATION CONTAINED IN THIS DRAWING IS THE SOLE PROPERTY OF ACTIVAR CONSTRUCTION PRODUCTS GROUP, INC. ANY REPRODUCTION IN PART OR AS A WHOLE WITHOUT THE WRITTEN PERMISSION OF ACTIVAR CONSTRUCTION PRODUCTS GROUP, INC. IS PROHIBITED. COPYRIGHT 2017 ACTIVAR CONSTRUCTION PRODUCTS GROUP, INC.



INTERPRET GEOMETRIC TOLERANCING PER: ASME Y 14.5 M-1994
SCALE: 1:16

SIZE DWG. NO. A **RHU-KIT**

NOTES: