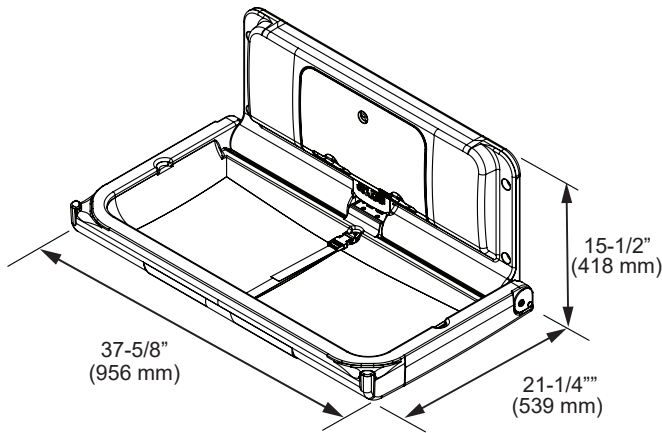




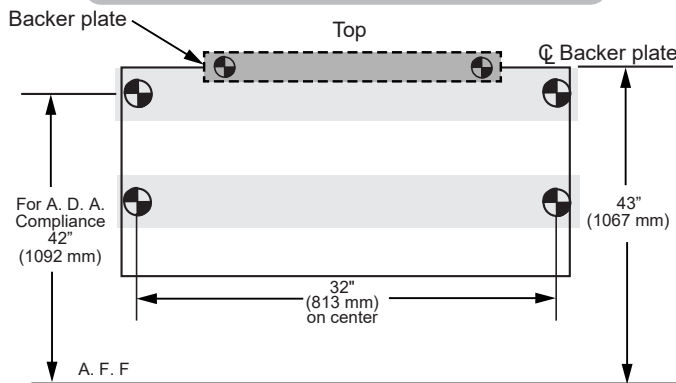
BABY CHANGERS MADE BY BABY EXPERTS.™

Submittal Sheet

Model 200-EH Horizontal Diaper Changing Station



Recommended Blocking



Short Specifications

Polyethylene Diaper Changing Stations:

- Acceptable product: Foundations Worldwide, Inc.; Model 200-EH.
- Characteristics:
 - Type: Molded FDA approved high-density polyethylene (HDPE) body.
 - Smooth nylon belt with Thermoplastic Polyurethane coating. Easy to sanitize and adjustable.
 - Warning labels printed in English, Spanish and French.
 - Meets ASTM F2285 requirements for weight bearing Commercial Changing Stations.
- A.D.A. Compliance:**

306.3	Knee Clearance
307.2	Maximum Protruding Objects
308.2	Forward Reach
308.3	Side Reach
309.4	Operation
902.3	Work Surface

Compliant when properly installed.
- ANSI compliant safety labels.
- CPSIA compliant to applicable sections.
- Meets or exceeds all requirements outlined by
- BS EN 12221:2008+A1:2013



- Easy to clean, high-density polyethylene which is naturally bacteria resistant.
- Standard with molded-in, key lockable dual liner dispensers.
- Each liner dispenser holds approximately 50 of the 036-LCR or 036-NWL liners.
- Smooth nylon belt with Thermoplastic Polyurethane coating. Easy to sanitize and adjustable.
- Convenient bag hooks on both sides.
- Easy to read ANSI compliant labels (ANSI Z535.3 and ANSI Z535.4), utilizing universal safety symbols.
- Compact, slim profile meets A.D.A when properly installed. Only protrudes 4 inches or 102 mm from wall.
- Includes universal changing station door sign.
- Pneumatic gas shock mechanism to ensure smooth, safe open and close motions.
- Steel-to-steel support hinges.
- Includes easy to install, step-by-step instructions plus all mounting hardware.
- ASTM G21 Anti-Bacterial: No measurable bacterial growth.
- Meets or exceeds ASTM F2285 Safety Specifications for Commercial Changing Stations.
- Standard pack: 1 unit.
- Limited Warranty: This product is warranted against manufacturing defects for a period of 5 years.
- Includes EZ mount backer plate which allows for mounting anywhere regardless of stud locations.
- Can be installed on any building code approved load bearing wall.

Installation Information

- Closed unit projects less than 4 inches (101 mm) from wall.
- Open changing surface projects 20-1/4 inches (539 mm) from wall during use.
- Overall closed dimensions are 37-5/8 inches (956 mm) wide and 15-1/2 inches (418 mm) tall.
- Hardware allows for mounting to current or new construction applications.

