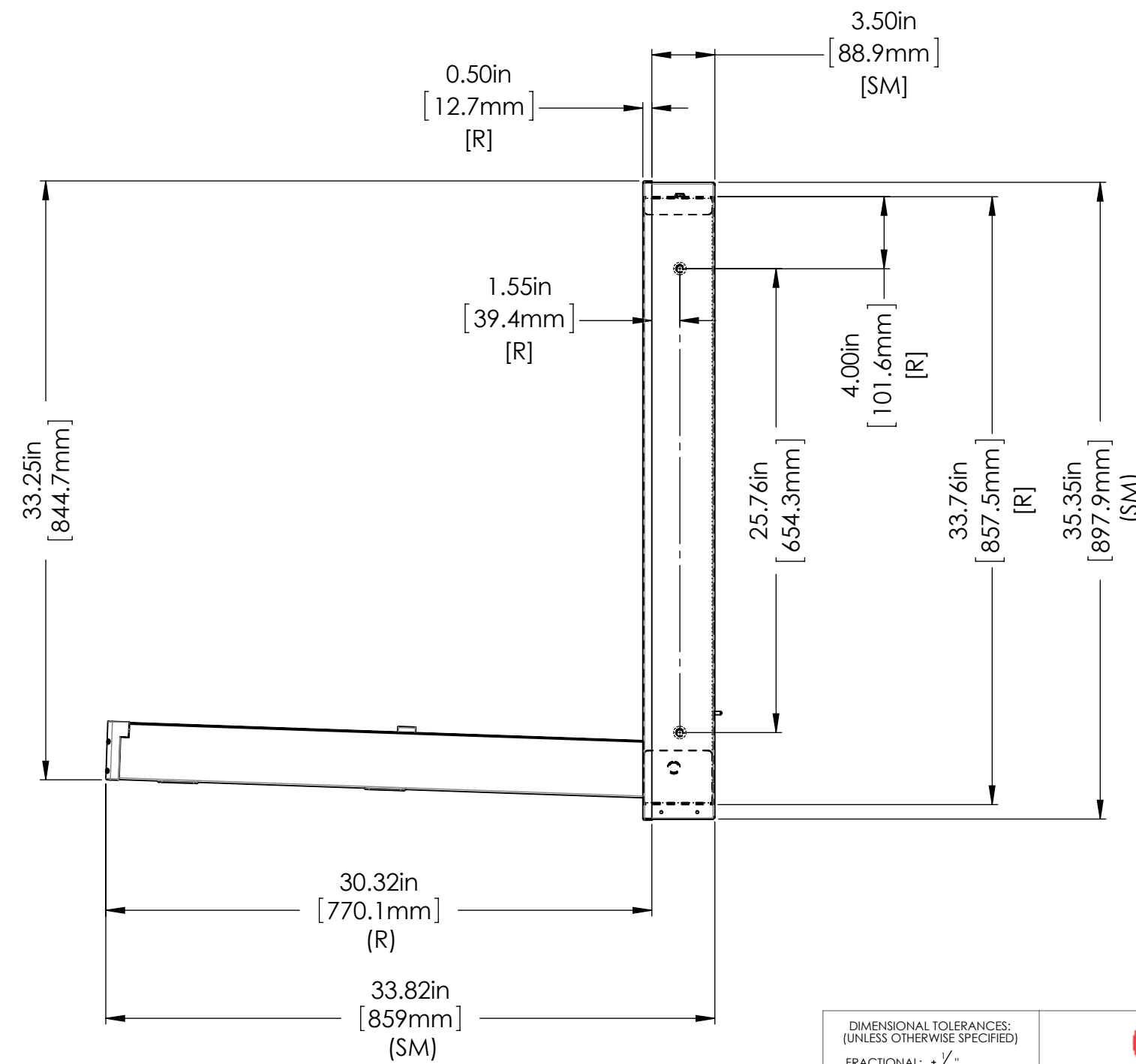
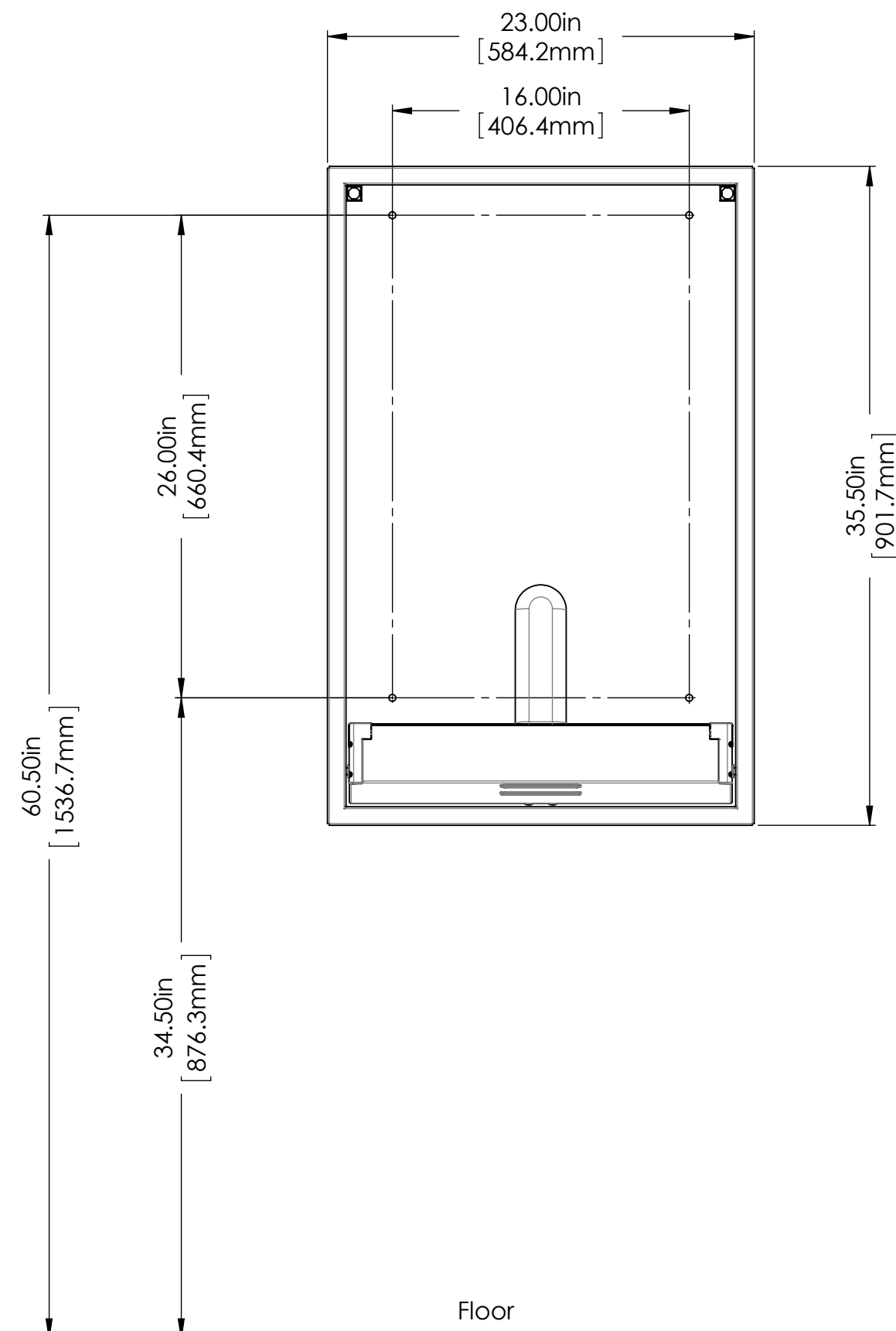
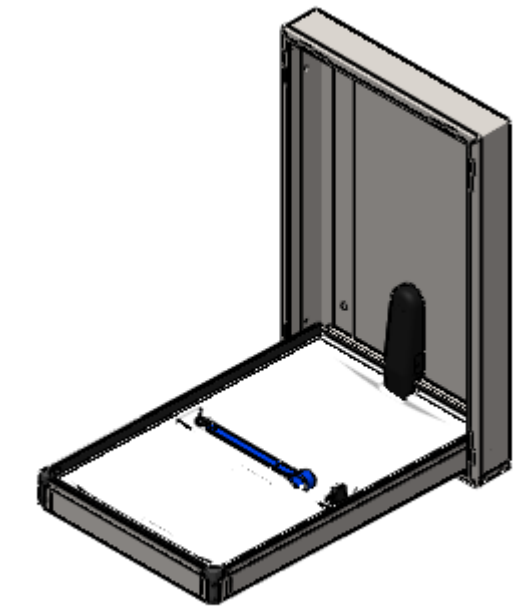
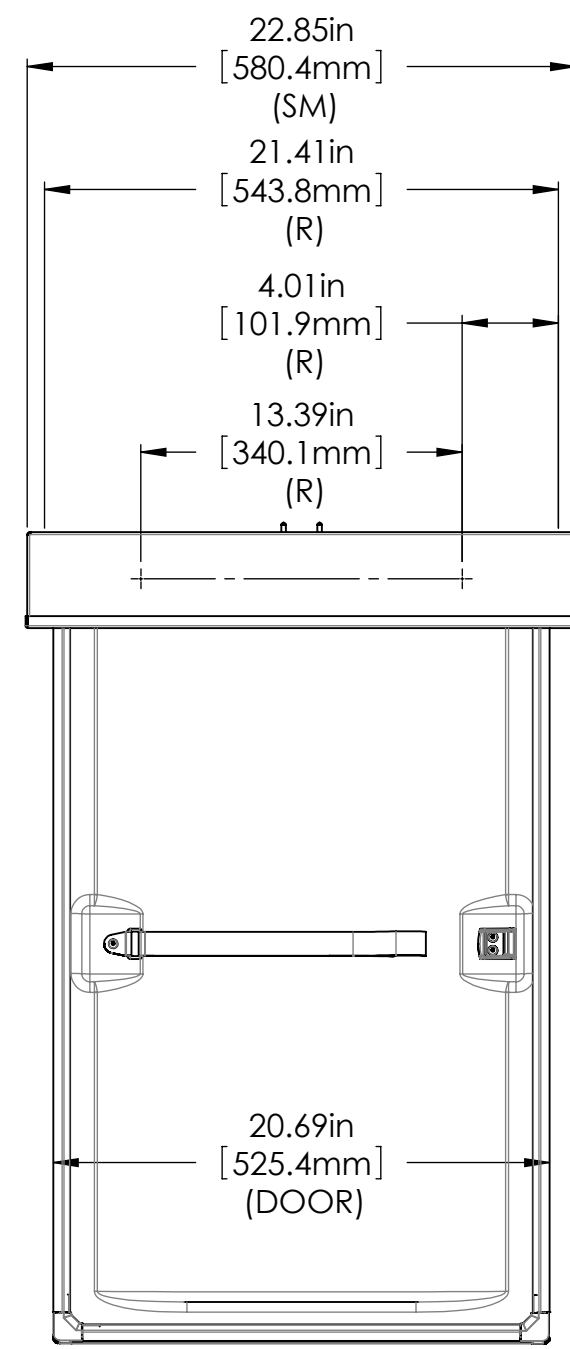


REV.	DESCRIPTION	DATE	APPROVED
0	Initial Release	1/5/2009	JXxxxx
1	HEIGHT TO TOP MOUNTING HOLE WAS 62.75"	7/18/13	LP



Notes:
SM - Surface Mount
R - Recessed Mount

Distributed by
www.AmeraProducts.com
Phone: (800) 608-6548
Fax: (409) 840-5545
info@ameraproducts.com

DIMENSIONAL TOLERANCES: (UNLESS OTHERWISE SPECIFIED) FRACTIONAL: $\pm \frac{1}{32}$ " MACHINED ANGLES: $\pm 0.5^\circ$ BEND ANGLES: $\pm 1.0^\circ$ 0.XX: ± 0.040 in [1mm] 0.XXX: ± 0.0150 in [0.38mm]			
MATERIAL: N/A		DESCRIPTION: Architectural Layout for 100SSV	
FINISH: N/A	PART NO: Arch - 100 SSV	SCALE: NTS	REV: 1
DRAWN BY: JXxxxx	DATE: 8/27/2009	SIZE: C	SHEET: 1 of 1
PROPRIETARY AND CONFIDENTIAL THE INFORMATION CONTAINED IN THIS DRAWING IS THE EXCLUSIVE PROPERTY OF FOUNDATIONS WORLDWIDE, INC. ANY REPRODUCTION OR USE OF THIS DRAWING, IN PART OR IN WHOLE WITHOUT THE EXPRESSED PERMISSION OF FOUNDATIONS WORLDWIDE, INC IS PROHIBITED.			