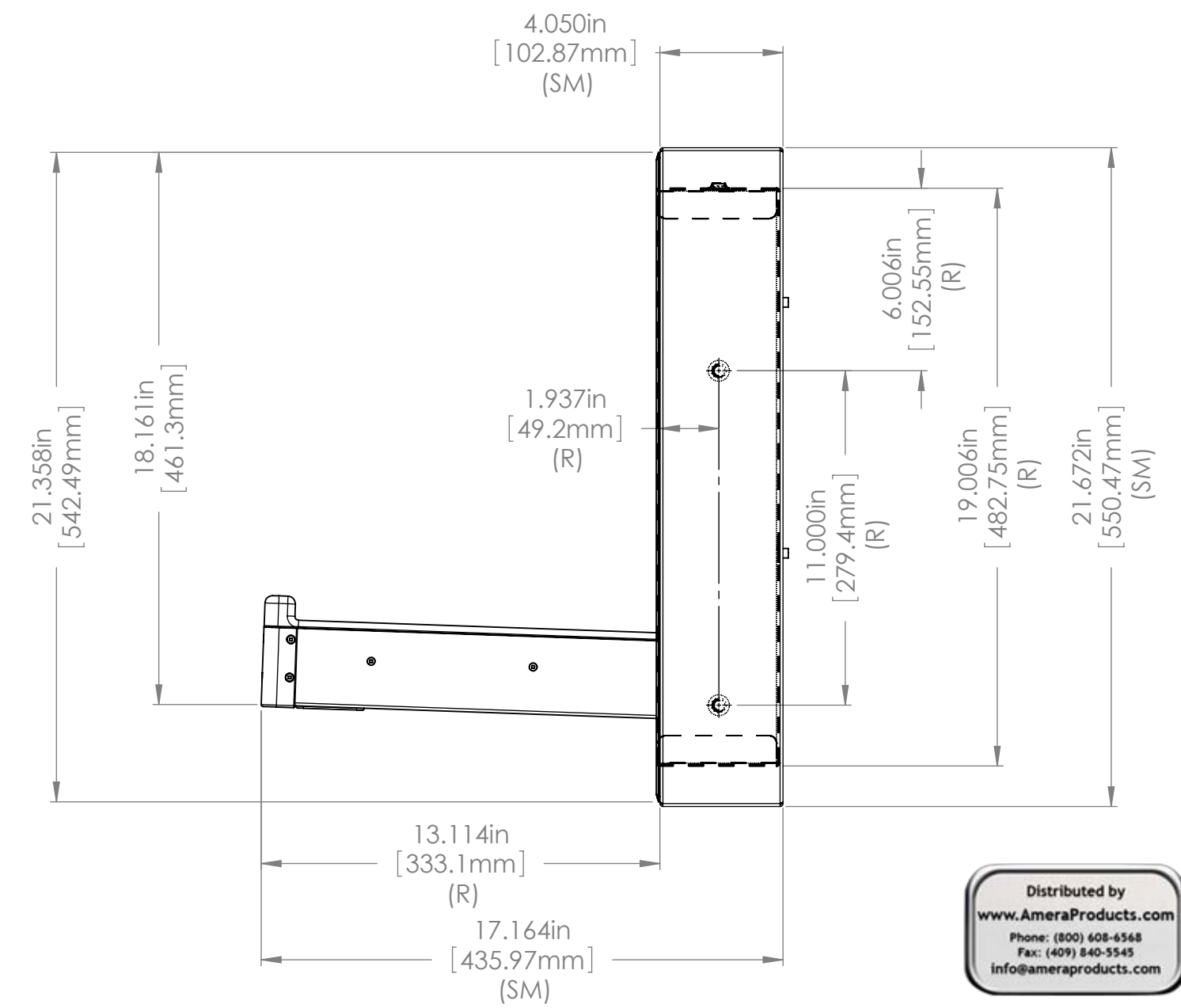
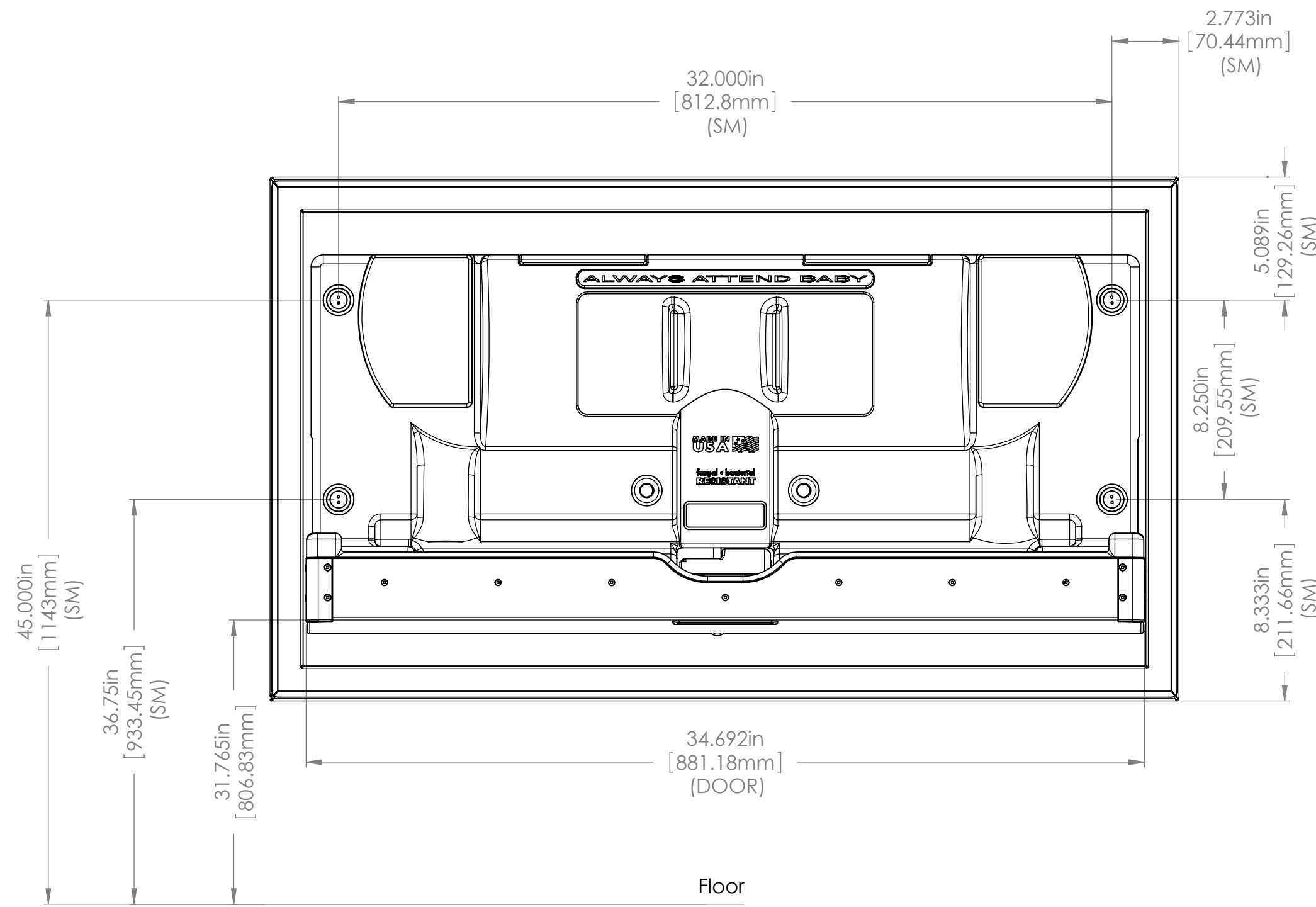
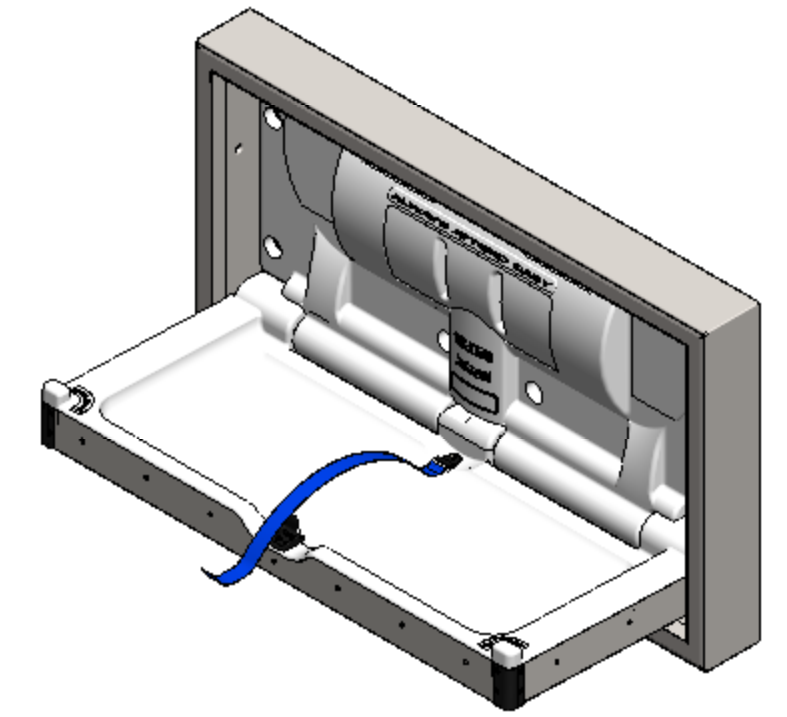
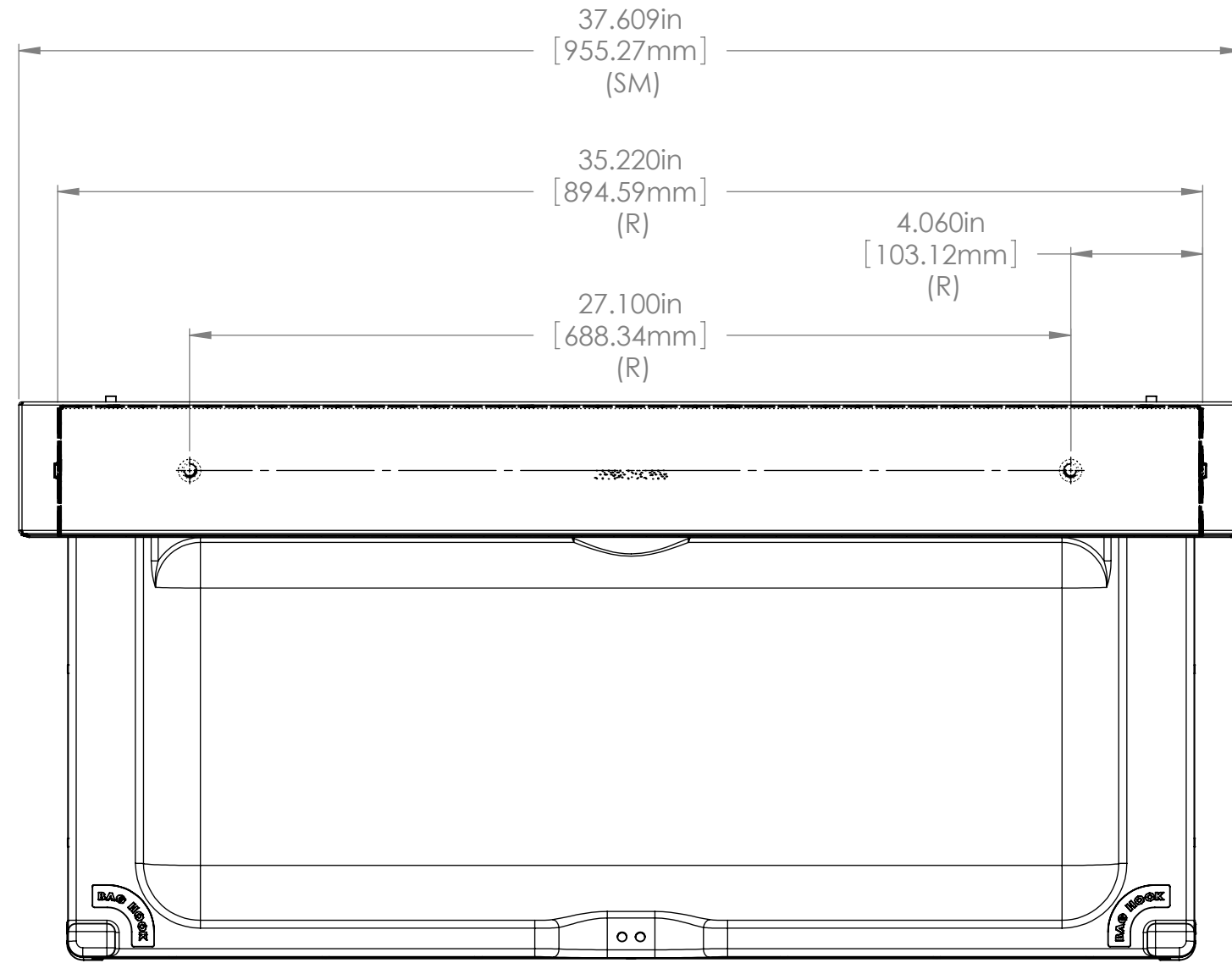


REV.	DESCRIPTION	DATE	APPROVED
0	Initial Release	12/17/2008	JXxxx
1	Released for Production	12/17/2009	JXxxx



Distributed by  
 www.AmeraProducts.com  
 Phone: (800) 608-6548  
 Fax: (409) 840-5545  
 info@ameraproducts.com

**Notes:**

SM - Surface Mount  
 R - Recessed Mount

DIMENSIONAL TOLERANCES: (UNLESS OTHERWISE SPECIFIED) FRACTIONAL: $\pm \frac{1}{32}$ " MACHINED ANGLES: $\pm 0.5^\circ$ BEND ANGLES: $\pm 1.0^\circ$ 0.XX: $\pm 0.040$ in [1mm] 0.XXX: $\pm 0.0150$ in [0.38mm]			
MATERIAL: N/A		DESCRIPTION: Architectural Layout for 100SSC	
FINISH: N/A	PART NO: Arch - 100 SSC	SCALE: NTS	REV: 1
DRAWN BY: JXxxx	DATE: 12/17/2008	SIZE: C	SHEET: 1 of 1
PROPRIETARY AND CONFIDENTIAL THE INFORMATION CONTAINED IN THIS DRAWING IS THE EXCLUSIVE PROPERTY OF FOUNDATIONS WORLDWIDE, INC. ANY REPRODUCTION OR USE OF THIS DRAWING, IN PART OR IN WHOLE WITHOUT THE EXPRESSED PERMISSION OF FOUNDATIONS WORLDWIDE, INC IS PROHIBITED.			