

# CM-1101 OUTDOOR WEATHERPROOF HOSE STORAGE CABINET

The CM-1101 Outdoor Weatherproof Hose Storage Cabinet: designed for the storage of fire hoses and equipment for industrial outdoor applications. It is fabricated from 16-gauge galvanized steel and finished with two coats of red UV resilient polyester powder coat red paint with a high gloss finish. It is available in four different mounting options. This cabinet comes complete with (2) shelves 13" deep, a 3/4" lip, and includes a 2" sloped roof that is reinforced at the top and bottom with rain troughs.

## FEATURES

<b>Cabinet Material</b>	16 ga. galvanized
<b>Hinge</b>	Stainless steel piano hinges
<b>Latch</b>	Chrome plated zinc handle with 2-point catch. Right hand door.
<b>Shelves</b>	(2) x 13" deep w/ 3/4" lip
<b>Finish</b>	Powder Coat Red Paint with Gloss Finish.
<b>Options</b>	<ul style="list-style-type: none"> <li>• Rain trough over doors</li> <li>• Doors overlap tub at hinge side</li> <li>• Louvers each end under bottom shelf</li> <li>• Inside flanges (front side): 3" at top, 3/4" on shelves, 1" at sides and bottom</li> </ul>

Model No.	Size (w x h x d)	Description
Type A	57" (145 cm) x 48" (122 cm) x 15" (38 cm)	Free Standing
Type B		Wall mounted (with rear lugs top & bottom)
Type C		Concrete base mounted (with grouting lugs at bottom)
Type D		Support Mounted - as shown with 24" legs (Steel fabricated legs available 12", 24", 36")

Specify wrench, strap & axe brackets, location and number of shelves before ordering.

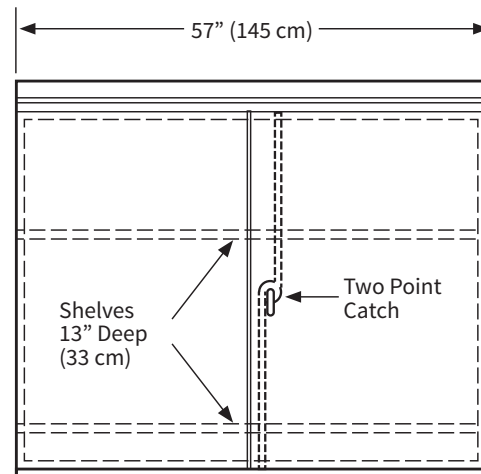
**Notes:**

- a. Unless otherwise specified Type A will be supplied.
- b. Not designed for seawater environment.
- c. 316 Stainless Steel and Aluminum available upon request.

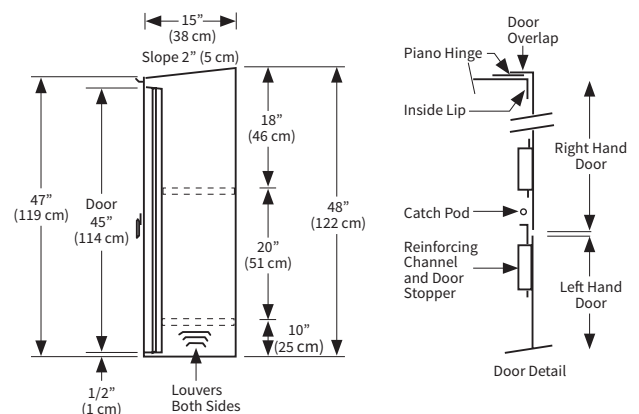


CM-1101 - TYPE D

## DIMENSIONS



## Elevation



## Section Detail