

# mediclinics

HAND DRYERS /

**M12A / M12ACS**



***INSTALLATION AND OPERATING MANUAL***

Distributed by  
[www.Ameraproducts.com](http://www.Ameraproducts.com)  
Phone: (800) 608-6568  
Fax: (409) 840-5545  
[info@ameraproducts.com](mailto:info@ameraproducts.com)

## INTRODUCTION

'Dualflow Plus' range hand dryers offer the following technical features:

- Automatic operation. Hand detection is based on IR-type movement sensors.
- The speed of the air generated by the hand dryer can be adjusted, to achieve an optimum balance between the drying power and noise level.
- Available finishes:
  - White (M12A)
  - Satin (M12ACS)
- Dimensions: 656 mm (H) x 320 mm (W) x 226 mm (D).
- Weight: 8.3 Kg
- Mounting: Surface.

## OPERATION

Hands must be introduced inside. Hand dryer starts automatically after introducing hands.

Move hands vertically (as shown in Fig.1) in order to dry them completely.

Green light (in standby state) led on top becomes to orange colour when dryer is in use.

Maximum continuous operation time is  $T = 30$  sec.  
Drying time is less to it ( $T_d \approx 8 - 12$  sec).

After removing hands, dryer turns off automatically.

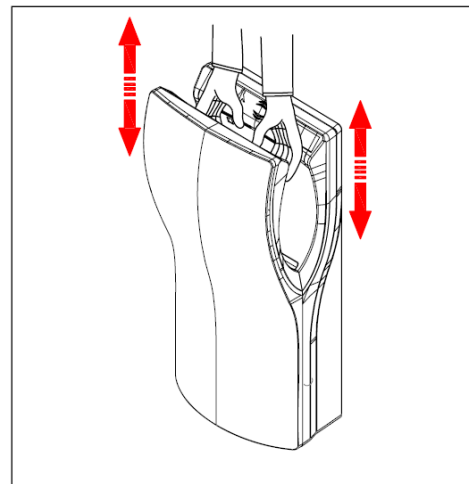


Figure n° 1

**This appliance can be used by children aged from 8 years or above and persons with reduced physical, sensory or mental capabilities or lack of experience and knowledge if they have been given supervision or instruction concerning use of the appliance in a safe way and understand the hazards involved. Children shall not play with the appliance.**

**Cleaning and user maintenance shall not be made by people without the proper training.**

**Means for disconnection with contact separations at least 3 mm (0.12") must be incorporated in the fixing wiring.**

# INSTALLATION AND MAINTENANCE BOOK (TECHNICAL STAFF)

## Introduction.

'Dualflow Plus' family of hand dryers offers the technical features as follows.

- Automatic operation. Drying cycle starts when putting hands in. Two couple of IR sensors detect hands introduction.
- Dryer is a class I (earthed) electrical insulation device.
- Drying process is based on powerful air curtains which remove water from hands.
- Hand dryer has no heating element.
- Speed of air can be adjusted in order to achieve an optimum balance between drying power and noise level.
- Light leds on top supply some information referred to the status of hand dryer.
- Maximum time of continuous operation is  $T_{max} = 30$  sec.
- Water from hands is collected in an internal tank which may be emptied.

## Installation.

**ONLY A QUALIFIED TECHNICIAN CAN INSTALL, ADJUST AND MAINTAIN THIS HAND DRYER.**

The installation of the appliance is only allowed on fixed wiring.

Means for disconnection of the mains with contact separations at least 3 mm (0.12") must be incorporated in the fixing wiring.

The installer must make sure that the electric system is grounded in accordance with the law in force.

Make sure that the electric system has a high-sensitivity breaker  $I_n \leq 0.03$  A.

Make sure that the machine is disconnected from the electric power supply, before performing maintenance operation.

To install the hand dryer follow the pictures contained in the figure 2.

The hand dryer must be fitted to the wall by using the upper metal plate (support) which is supplied.

After fitting the metal plate, the hand dryer should be hung on it. The lower screw fits safely the appliance to the wall. So, to assemble the hand dryer the following steps must be done.

- Make three 8 mm (0.31") diameter drill holes in the wall using the provided template (1).
- Clean the dust away and insert the wall plugs.



- Screw the upper plate to the wall (2).
- Plastic covers which protect the terminal block (inlet power supply) must be removed (3).
- The hand dryer should be hung on the metal support which has been fitted to the wall (4).
- Pass the electrical cables from mains through the 22 mm diameter hole located in the rear plastic base3 plate. (5).
- Connect the electrical wires to the hand dryer terminal block. Two phases (N,L) and earth wires must be screwed in the right ways of the terminal block, as indicated by the engraved letters (6).
- After this operation has been done, plastic covers must be placed correctly (10).
- Remove the air inlet filter casing (7).
- Firmly place the lower screw for fixing the appliance completely (8).
- Put the inlet air casing to its location and place the two screws that fix it to the appliance.

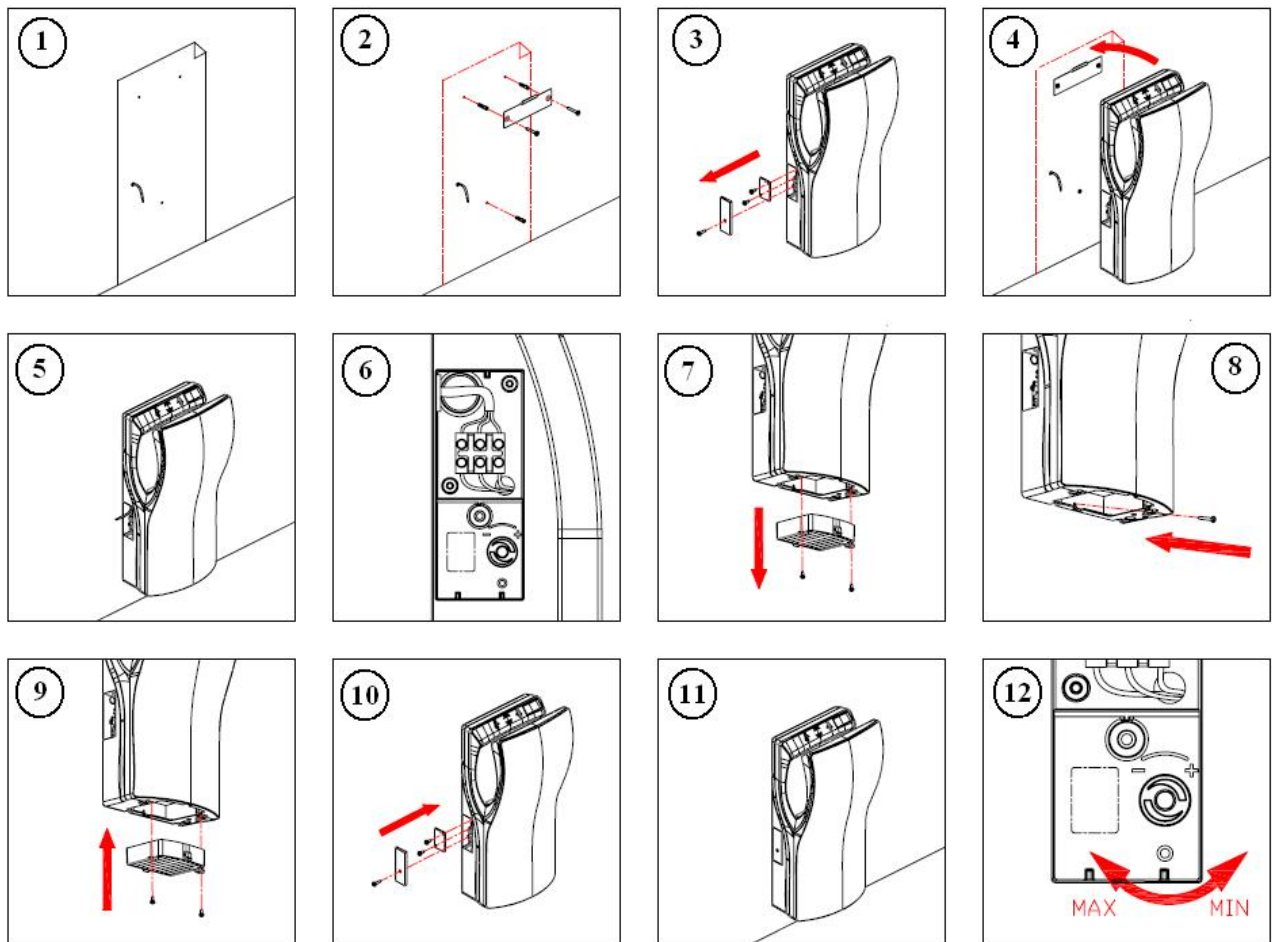


Figure n° 2

Installation height must be the showed in figure n° 3.

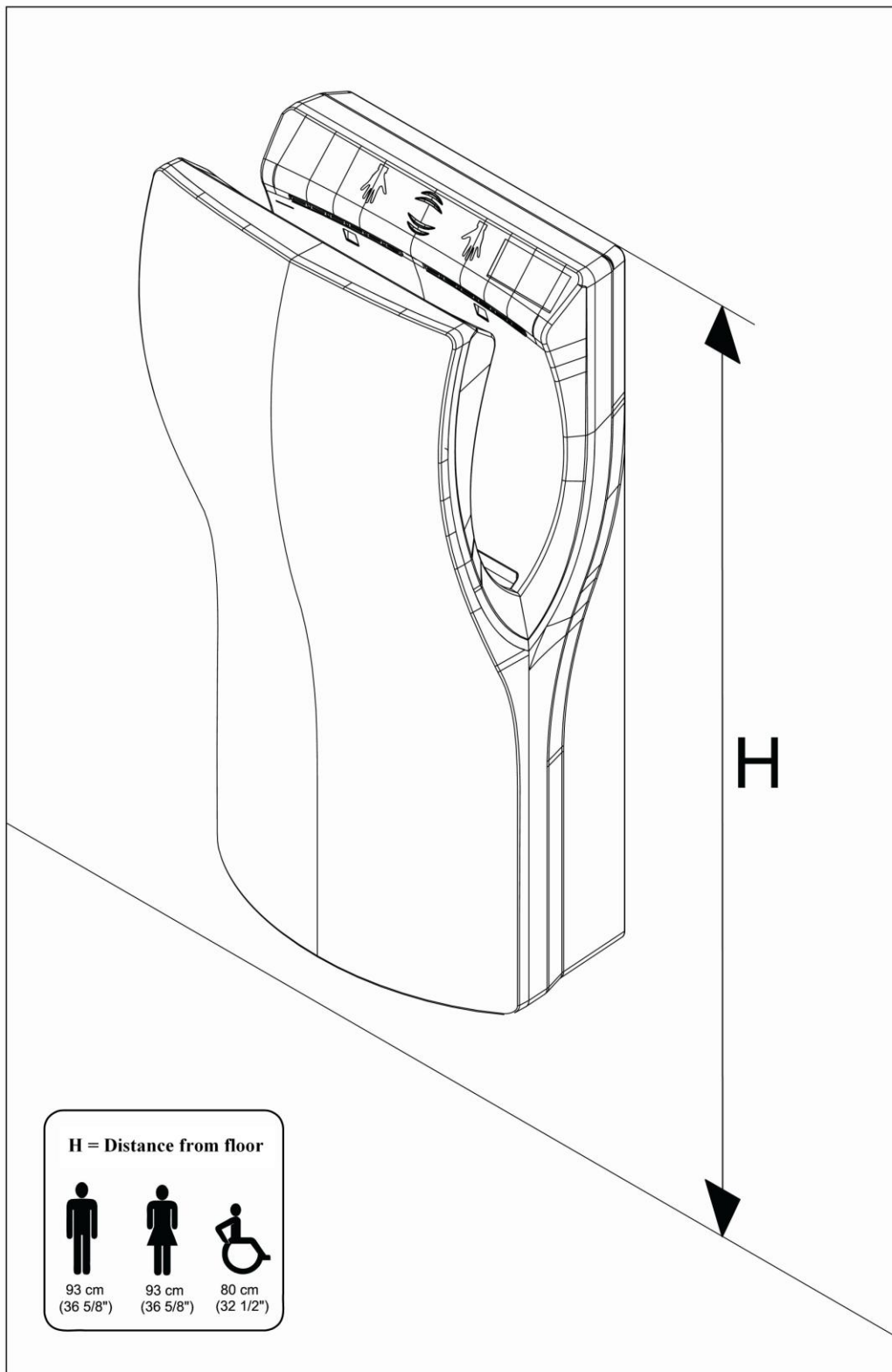


Figure n° 3

**ATTENTION: WHEN THE CASING IS DISMANTELED ACTIVE PARTS OF THE DEVICE BECOME ACCESSIBLE.**

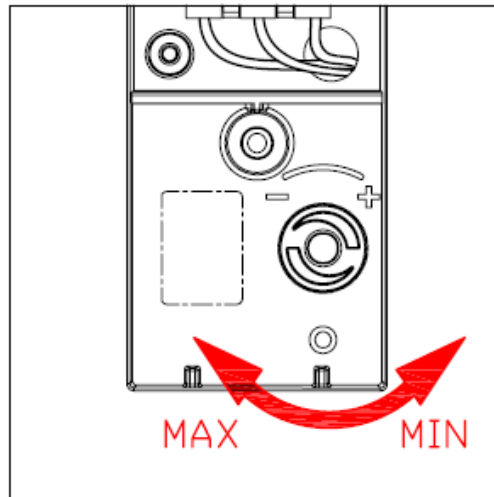
Distributed by  
[www.Ameraproducts.com](http://www.Ameraproducts.com)  
Phone: (800) 608-6568  
Fax: (409) 840-5545  
[info@ameraproducts.com](mailto:info@ameraproducts.com)

## Maintenance.

**ONLY A QUALIFIED TECHNICIAN CAN INSTALL, ADJUST AND MAINTAIN THIS HAND DRYER.**

### **Adjust the speed of the motor.**

To adjust the speed of the motor turn the sensor potentiometer wheel as the picture 4 shows.

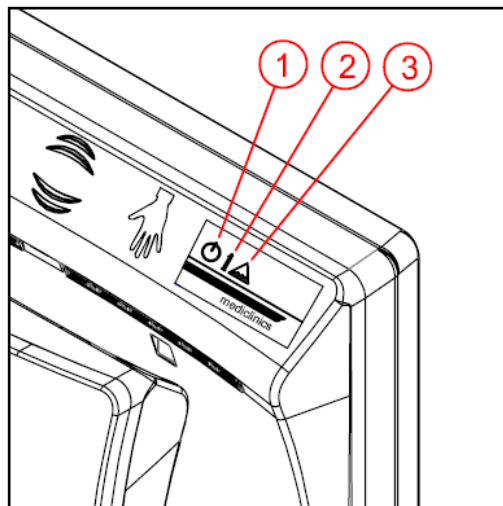


**Figure n° 4**

### **Pilot light information.**

Light leds on the top of the hand dryer (see figure 5) give advice about:

- 1: Standby (green colour) or operation status (orange colour).
- 2: Red colour led brights when motor has a problem of consumption (due to brushes which may be wearing out or due to a blocked or locked state of motor).
- 3.- Blue colour led brights when cabinet of water is full.



**Figure n° 5**

## Air filter.

Air filter must be changed as the pictures of figure n° 6 shows.

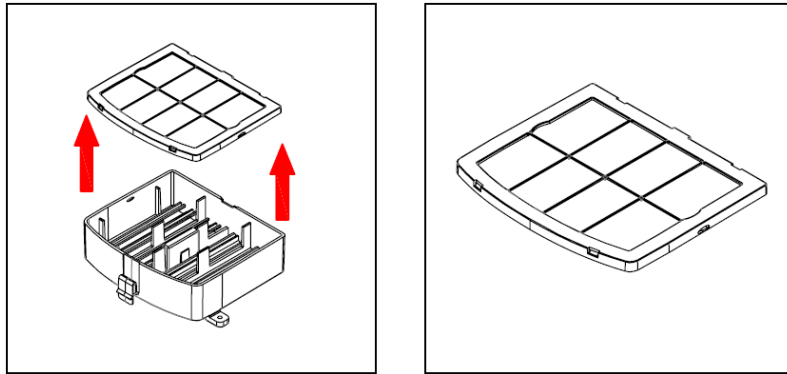


Figure n° 6

## No smell load charge.

Figure n° 7 shows how to install the no smell charge.

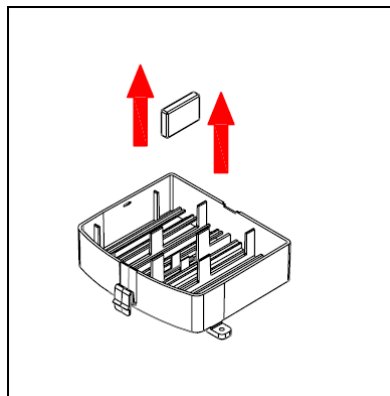


Figure n° 7

## Water tank.

Water from hands drops directly to an internal water tank. When water reaches the 'full level' an acoustic alarm sounds and the blue pilot light bright (see Fig. 5).

In this case, water in the tank must be emptied.

To evacuate the water from tank, press the push button as indicated in Fig. 8.

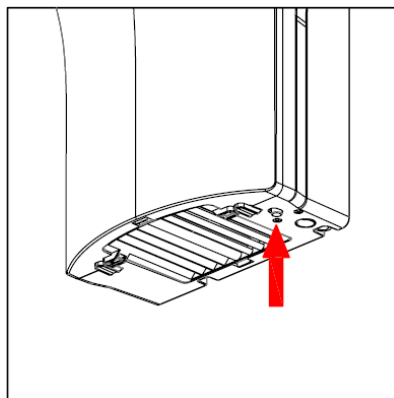


Figure n° 8

# CONNECTION DIAGRAM

## ELECTRIC DIAGRAM

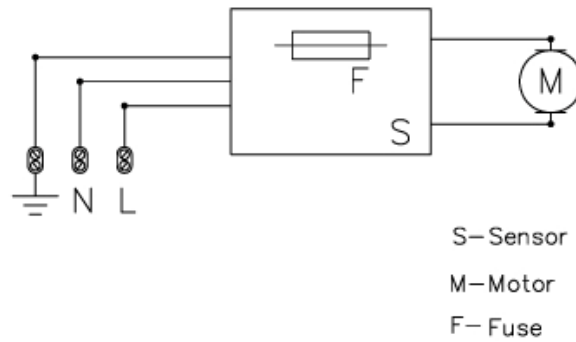


Figure nº 9

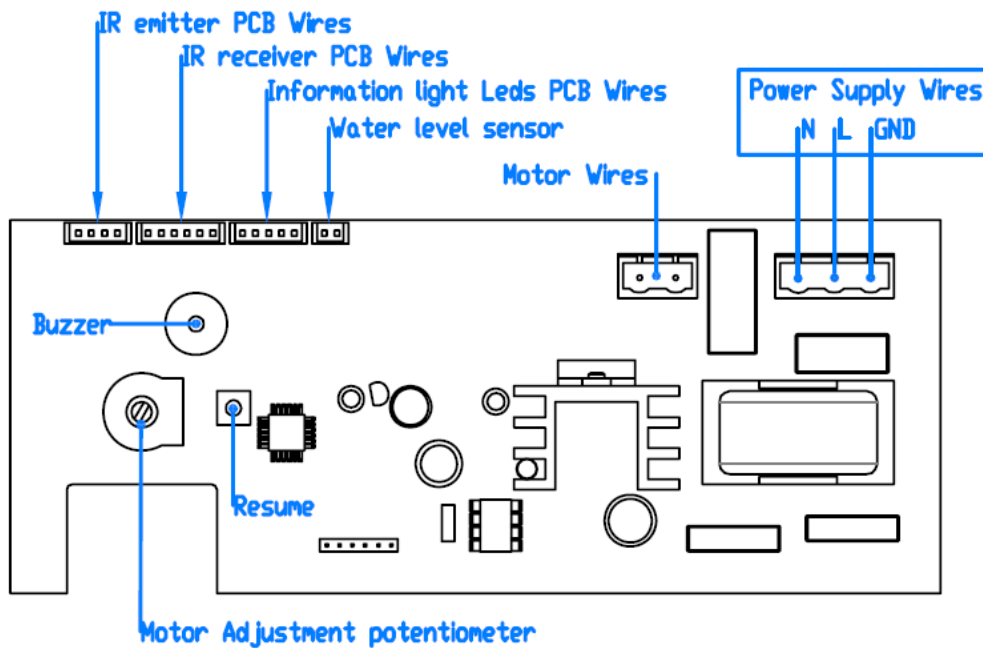


Figure nº 10



**DANGER.**  
Electric shock risk

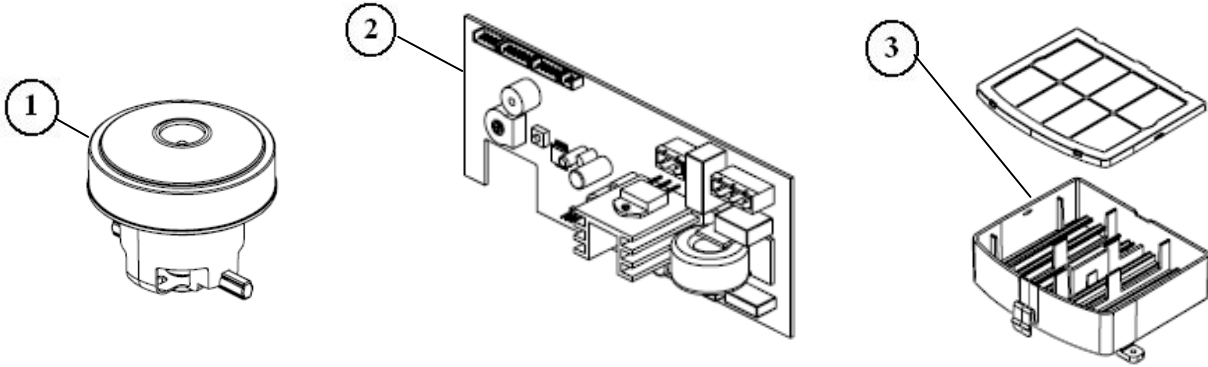
- The installer must make sure that the electric system is grounded in accordance with the law in force.

- Make sure that the electric system has a high-sensitivity breaker  $I_{\Delta n} \leq 0.03 \text{ A}$ .

- Make sure the machine is disconnected from electric power supply, before performing maintenance operation.



# BASIC EXPLODED VIEW



COMPONENT	NUMBER	CODE
Motor set	1	RC9111003SMD
Electronic control	2	RC9121012SMD
Air filter set	3	RCFILTRODFW

MODELO	MODEL	MODÈLE	MODELL	M12A	M12ACS
GENERAL:	GENERAL:	GÉNÉRAL :	ALLGEMEIN:		
Acabado:	Finish:	Finition :	Finish:	Blanco / White / Blanche / Weiß	Satinado / Satin / Satiné / Satiniert
Alimentación:	Power supply:	Alimentation :	Stromversorgung:	220 – 240 V / 50-60Hz.	
Consumo:	Power consumption:	Consommation :	Verbrauch:	5 A	
Potencia nominal:	Nominal rating:	Puissance nominale :	Nennleistung:	1.100 W (1,5 Hp)	
Peso:	Weight:	Poids :	Gewicht:	8,3 Kg (183 lb)	
IP:	IP:	IP:	IP:	IP 35	
Clase de aislamiento:	Type of insulation:	Classe d'isolement :	Isolierungsklasse:	Clase I / Class I / Klasse I	
MOTOR:	MOTOR:	MOTEUR :	MOTOR:		
Potencia:	Rating:	Puissance :	Leistung:	1.100 W (1,5 Hp)	
Tipo:	Type:	Type :	Typ:	Universal de escobillas / Universal brush motor / Universel à balais / Universalmotor Bürsten	
Velocidad:	Speed:	Vitesse :	Geschwindigkeit:	18.000 – 30.000 rpm	
TURBINA:	TURBINE:	TURBINE :	TURBINE:	Centrífuga de alta presión / High pressure centrifuge / Centrifuge haute pression / Hochdruckschleuder	
DIMENSIONES:	SIZE:	DIMENSIONS :	ABMESSUNGEN:		
Alto:	Height:	Hauteur :	Höhe:	656 mm (26")	
Ancho:	Width:	Largeur :	Breite:	320 mm (12.6")	
Profundo:	Depth:	Profondeur :	Tiefe:	226 mm (8,9")	
HOMOLOGACIONES:	APPROVALS:	HOMOLOGATIONS :	ZULASSUNGEN:	CE, GS, EMC & GOST	
SALIDA AIRE:	AIR OUTPUT:	SORTIE D'AIR :	LUFTAUSGANG:		
Caudal de aire:	Air flow:	Débit d'air :	Luftstrom:	165 m <sup>3</sup> /h (2.750 l/min)	
Velocidad del aire:	Air speed:	Vitesse de l'air :	Luftgeschwindigkeit:	410 Km/h	

**ELIMINACIÓN DE RESIDUOS DE APARATOS ELÉCTRICOS Y ELECTRÓNICOS POR PARTE DE USUARIOS DOMÉSTICOS EN LA UNIÓN EUROPEA.**

El producto que ha adquirido ha sido diseñado y fabricado con materiales y componentes de alta calidad que pueden ser reciclados y reutilizados



Cuando vea un producto marcado con este símbolo de un contenedor de basura con ruedas tachado significa que dicho producto está regulado por la Directiva Europea 2002/96/EC sobre residuos de aparatos eléctricos y electrónicos Este símbolo indica que el producto no se puede desechar junto con los residuos urbanos habituales Cuando un producto marcado con dicho símbolo deba ser eliminado es responsabilidad del usuario entregarlo en un punto de recolección de aparatos eléctricos y electrónicos designado

Para obtener más información sobre cómo desechar sus aparatos eléctricos o electrónicos una vez hayan concluido su vida útil, póngase en contacto con las autoridades locales, el servicio de gestión de residuos urbanos o el establecimiento donde adquirió el producto La correcta recogida y tratamiento de los aparatos inservibles contribuye a preservar recursos naturales y también a evitar riesgos potenciales para la salud pública

**DISPOSAL OF WASTE ELECTRICAL AND ELECTRONIC EQUIPMENT BY DOMESTIC USERS IN THE EUROPEAN UNION.**

The product you have purchased has been designed and manufactured using high-quality materials and components that can be recycled and reused



If you see a product marked with this symbol, consisting of a crossed-out rubbish bin with wheels, it means that the product is regulated by European Directive 2002/96/EC regarding the disposal of waste electrical and electronic equipment This symbol indicates that the product must not be disposed of together with habitual municipal waste Owners and users of all products marked with this symbol should take them to a specially designated collection point for waste electrical and electronic equipment

For further information on how to dispose of waste electrical or electronic equipment once its useful life has ended, please contact your local authorities, the urban waste disposal service or the establishment in which the product was purchased The proper collection and disposal of old equipment contributes to preserving the natural environment and preventing potential hazards to public health

**ENTSORGUNG VON ABFALLPRODUKTEN ELEKTRISCHER UND ELEKTRONISCHER GERÄTE VON PRIVATPERSONEN IN DER EUROPÄISCHEN UNION**

Das von Ihnen erworbene Produkt ist unter Verwendung hochwertiger Materialien und Bauteilen entwickelt und hergestellt worden, die wiederverwertet und –verwendet werden können



Wenn ein Produkt mit dem nebenstehenden Symbol – ein durchgestrichener Müllcontainer auf Rädern – gekennzeichnet ist, dann bedeutet dies, dass dieses Produkt der Europäischen Richtlinie 2002/96/EC über elektrische und elektronische Abfallprodukte unterliegt Dies bedeutet, dass das Produkt nicht mit dem gewöhnlichen Haushaltsmüll entsorgt werden darf Wenn ein derart gekennzeichnetes Produkts entsorgt werden muss, dann liegt es in der Verantwortung des Anwenders, das Produkt in einem speziell für elektrische und elektronische Abfallprodukte ausgewiesenen Wertstoffhof zu entsorgen

Wenn Sie mehr Information über die Entsorgung von elektrischen und elektronischen Abfallprodukten nach deren Nutzungsdauer wünschen, dann setzen Sie sich bitte mit den örtlichen Behörden, mit dem für die Hausmüllentsorgung beauftragten Unternehmen oder mit dem Geschäft in Verbindung, in dem Sie das Produkt erworben haben Die richtige Entsorgung und Behandlung von nicht mehr brauchbaren Geräten trägt zur Erhaltung der natürlichen Ressourcen bei und verhindert potenzielle Gefahren für die allgemeine Gesundheit

**ÉLIMINATION DES DÉCHETS DES ÉQUIPEMENTS ÉLECTRIQUES ET ÉLECTRONIQUES PAR LES UTILISATEURS DOMESTIQUES DANS L'UNION EUROPÉENNE.**

Le produit dont vous venez de faire l'acquisition a été conçu et fabriqué à l'aide de matériaux et de composants de haute qualité qui peuvent être recyclés et réutilisés



Quand vous voyez un produit portant ce symbole de container poubelle sur roues barré, cela signifie que ledit produit est réglé par la Directive Européenne 2002/96/CE relative aux déchets d'équipements électriques et électroniques Ce symbole indique que le produit ne peut pas être jeté avec les déchets urbains habituels Lorsqu'un produit marqué par ce symbole doit être jeté, il en va de la responsabilité de l'utilisateur de le remettre à un point de collecte appareils électriques et électroniques désigné

Pour obtenir plus d'informations sur le moyen de jeter vos appareils électriques et électroniques une fois leur durée de vie épuisée, contactez les autorités locales, le service de gestion des déchets urbains ou l'établissement où vous avez acheté le produit La collecte et le traitement corrects des appareils inutilisables contribue à préserver les ressources naturelles et également à éviter des risques potentiels pour la santé publique

**SMALTIMENTO DEI RIFIUTI D'APPARECCHIATURE ELETTRICHE ED ELETTRONICHE DA PARTE DEGLI UTENTI DOMESTICI ALL'INTERNO DELL'UNIONE EUROPEA.**

Il prodotto che avete acquistato è stato disegnato e fabbricato con materiali e componenti d'alta qualità che possono essere riciclati e riutilizzati



Quando un prodotto è contrassegnato con questo simbolo, un bidone di spazzatura con ruote sbarrato, significa che è regolato dalla direttiva europea 2002/96/EC sui rifiuti d'apparecchiature elettriche ed elettroniche Questo simbolo indica che il prodotto non deve essere smaltito insieme ai normali residui urbani Quando si deve smaltire un prodotto contrassegnato con questo simbolo è responsabilità dell'utente provvedere a depositarlo negli appositi punti di raccolta destinati ad apparecchiature elettriche ed elettroniche

Per ottenere maggiori informazioni circa lo smaltimento delle apparecchiature elettriche ed elettroniche ormai inutilizzabili, Vi invitiamo a contattare le autorità locali di competenza, il servizio di smaltimento rifiuti urbani o il rivenditore presso il quale avete acquistato il prodotto La corretta raccolta ed il trattamento delle apparecchiature inutilizzabili aiuteranno a conservare le risorse naturali e a prevenire potenziali rischi per la salute pubblica