

# MODEL TD0230

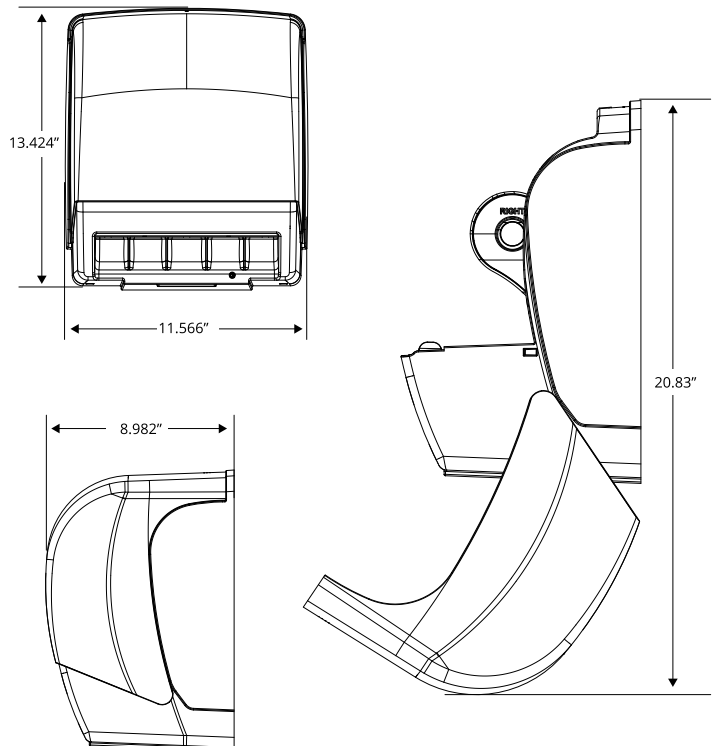
## On Demand Electronic Roll Towel Dispenser

### Installation Overview:

Choose a location that provides open area forward of the unit to allow proper opening. Location should allow the cover to be opened for installation, maintenance, and usage. To be in compliance with ADA requirements, mount unit to the recommended height.

### Installation Steps:

- 1: Select a location that allows the unit to open completely, and allows the paper area to be free of obstructions.
- 2: Dispensers should be installed on the wall at a minimum height of 48" above the floor and no less than 12" above a surface.
- 3: Attach unit to the wall surface using the hardware provided. Use as least two pan head screws no smaller than #8 x 1 inch. The installer must ensure compatible and appropriate mounting hardware is used for the wall surface composition that the dispenser is being mounted upon.



### Product Specifications:

This On Demand Electronic Roll Towel Dispenser is designed to accept paper rolls up to an 8.25" (21 cm) diameter and a width of 7.75" – 8.25" (19.7 – 21.0 cm).

### Weight:

4.00 lbs. (5.20 lbs. with batteries)

### Overall Dimensions:

Width: 11.566"

Height: 13.424"

Depth: 8.982"



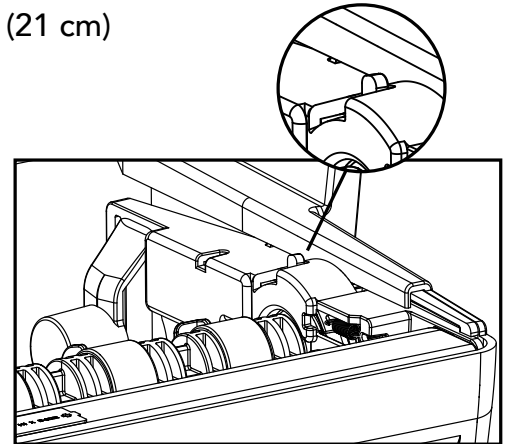
## Battery Requirements & Loading:

Open the dispenser cover. The battery compartment is located at the front lip of the dispenser. The cover to the battery compartment is removed by pushing the left hand tab inward and lifting up. Insert (4) "D" size LR-20 alkaline batteries.

## Paper Roll Loading:

This unit is designed to accept paper towel rolls up to an 8.25" (21 cm) diameter and a width of 7.75" – 8.25" (19.7 – 21.0 cm). Paper is to be loaded with paper "tail" unwinding from the back of the roll. The first sheet of paper is started by placing the "tail" in the nip under the loading arm and pressing the feed button (**Figure 1**) located on the mechanism.

To use the stub roll feature, a 3-inch or smaller stub roll must be transferred from the upper roll holders to the stub roll holders in the lower, rear section of the dispenser. Install a new roll in the upper roll holders and tuck the tail into the nip of the drive roller. Paper will double feed out of the dispenser until the stub roll is depleted.



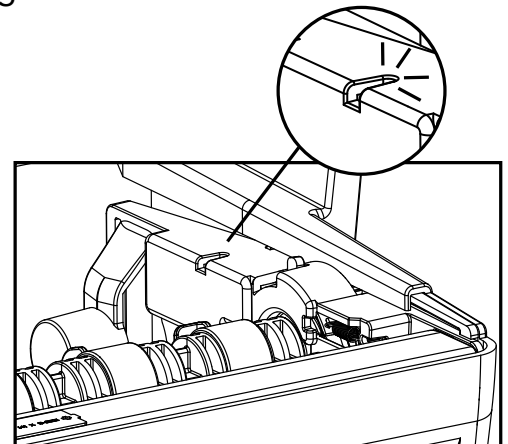
**Figure 1**

## Paper Saver Feature:

This unit has a built-in paper saver feature. After two consecutive dispenses, the unit will dispense a shorter sheet. The short sheet will extend to full length if the unit is idle for more than 5 seconds.

## Indicator Light Function:

The LED indicator light (**Figure 2**), located on the right side of the mechanism, inside of the dispenser, will flash once every 1.5 seconds continuously when the batteries need replacement. It will be slightly visible from the translucent side of the dispenser or when the cover is open.



**Figure 2**



Distributed by  
[www.AmeraProducts.com](http://www.AmeraProducts.com)

Phone: (800) 608-6568

Fax: (409) 840-5545

[info@ameraproducts.com](mailto:info@ameraproducts.com)

# 8230001