

MODEL TD0204

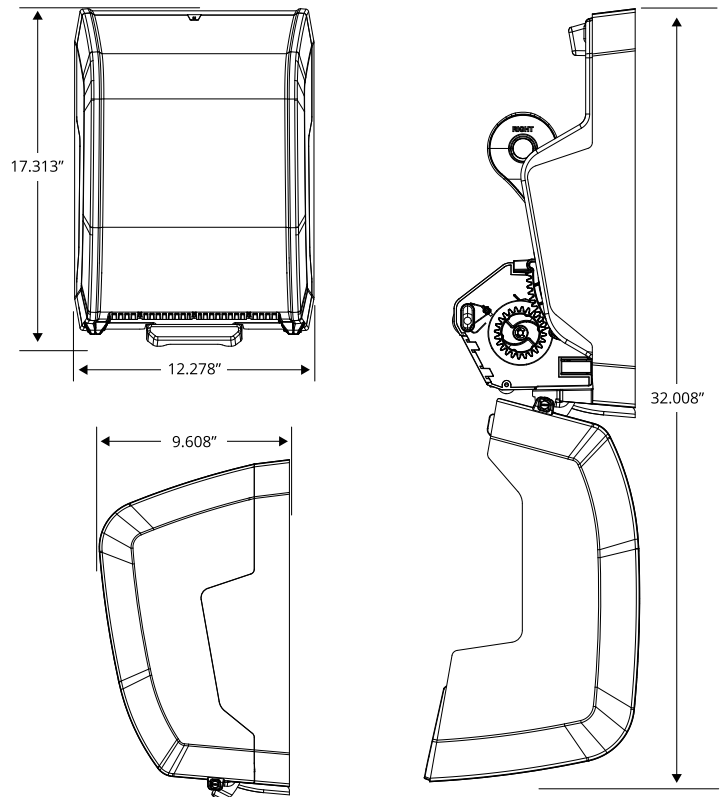
Mechanical Auto-Cut Roll Towel Dispenser

Installation Overview:

Choose a location that provides open area forward of the unit to allow proper opening. Location should allow the cover to be opened for installation, maintenance, and usage.

Installation Steps:

- 1: Select a location that allows the unit to open completely, and allows the paper area to be free of obstructions.
- 2: Dispensers should be installed on the wall at a minimum height of 48" above the floor and no less than 12" above a surface.
- 3: Attach unit to the wall surface using the hardware provided. Use a level to insure proper mounting. Use the provided anchors when necessary.



Product Specifications:

This Mechanical Auto-Cut Roll Towel Dispenser is designed to accept Universal Roll Towel 8" W & 8" D (1-1/2" Core)

Weight:

6.00 lbs.

Overall Dimensions:

Width: 12.28"

Height: 17.31"

Depth: 9.61"



Distributed by
www.Ameraproducts.com

Phone: (800) 608-6568

Fax: (409) 840-5545

info@ameraproducts.com

