

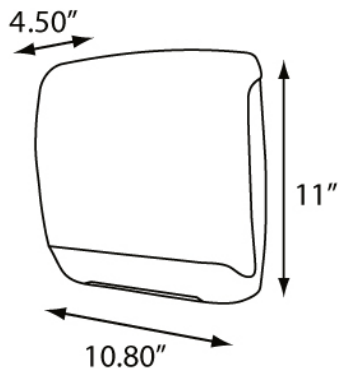
Mini Multifold Towel Dispenser

Product Overview

The TD0171 Plastic Mini Multi-Fold Towel Dispenser is hygienic, in that the user touches nothing but the paper they need. Easy dispensing when full, and single sheet dispensing until the very last sheet. A translucent cover provides easy view of paper supply. Universal for any multifold towel.

Product Features:

- Compact size to fit in more spaces
- User touches only the paper they need
- Impact resistant plastic construction
- Single towel delivery, down to the last one
- Easy to load
- ADA Compliant



More information and images available online.



MODEL #	COLOR	
TD0171-02	BLACK TRANSLUCENT	02
TD0171-03	WHITE TRANSLUCENT	03

Specifications:   

Dimensions (in)	11" w x 10.80" h x 4.50" d
Weight (lb)	1.40 lb
Key Type	1
Capacity	400 Multifold Towels
Case Pack	6 (2.36' ³)
Pallet Qty	210 units



Distributed by
www.Ameraproducts.com
 Phone: (800) 608-6568
 Fax: (409) 840-5545
info@ameraproducts.com