

RD0325

Metal Two-Roll Standard Tissue Dispenser



FEATURES

- Sleek stainless steel finish for a modern look
- Holds two standard toilet tissue rolls
- Heavy duty lock to prevent theft and vandalism
- Heavy gauge steel construction

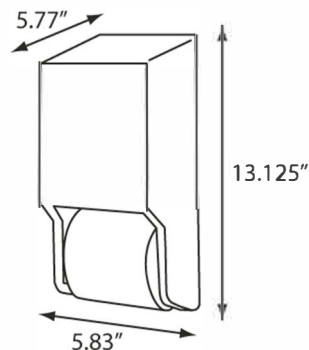
AVAILABLE COLORS

Brushed Stainless



SPECIFICATIONS

Model #	RD0325-09 (Brushed Stainless)
Dimensions	5.83" W x 13.125" H x 5.83" D
Weight	3.30 lbs
Case Pack	6 per case - 2.28' ³
Capacity	2 - 4½"W x 5¼" D Rolls (1½" Core)
Key Type	1



**PALMER
FIXTURE**

Palmer Fixture
P.O. Box 10887
Green Bay, WI 54307

Distributed by
www.Ameraproducts.com
Phone: (800) 608-6548
Fax: (409) 840-3343
info@ameraproducts.com