



NEW

INSPIRE

Electronic Hands Free
Roll Towel Dispenser

*A simple and compact
design offering a reliable
and efficient hands-free
operation*

**Contact us for
more information!**

Distributed by
www.Ameraproducts.com
Phone: (800) 608-6568
Fax: (409) 840-5545
info@ameraproducts.com



**PALMER
FIXTURE**

PALMER
FIXTURE

Distributed by
www.Ameraproducts.com
Phone: (800) 608-6568
Fax: (409) 840-5545
info@ameraproducts.com

INSPIRE

Electronic Hands Free
Roll Towel Dispenser

Simple, Reliable and Efficient Operation!



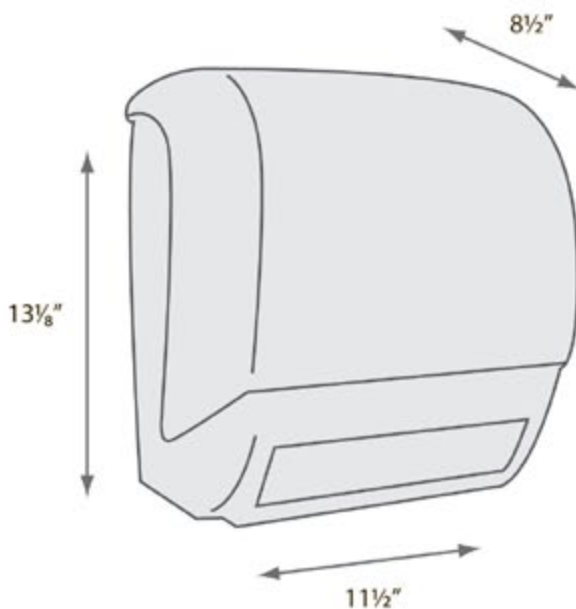
TD0235-03



TD0235-01



TD0235-02



Economically designed - small footprint, simple operation

Lower waste with a reliable dispense of 11" sheet with every cycle

Sophisticated sensor - automatically dispenses when hand is placed over the sensor

Includes stub roll tray - to deliver a more precise control of consumption

Low battery indicator light

Compact design still allows for 8" 800 ft. standard roll

Easy access to battery compartment

Operates on 4 "D" sized LR-20 alkaline batteries

ADA Compliant

