



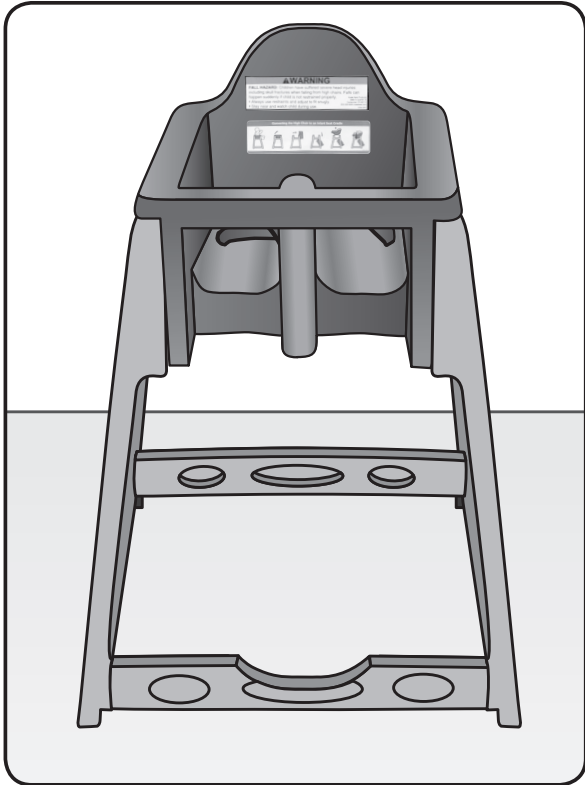
# Koala KidSitter® Usage Instructions

Dual Use Plastic High Chair and Infant Seat Cradle

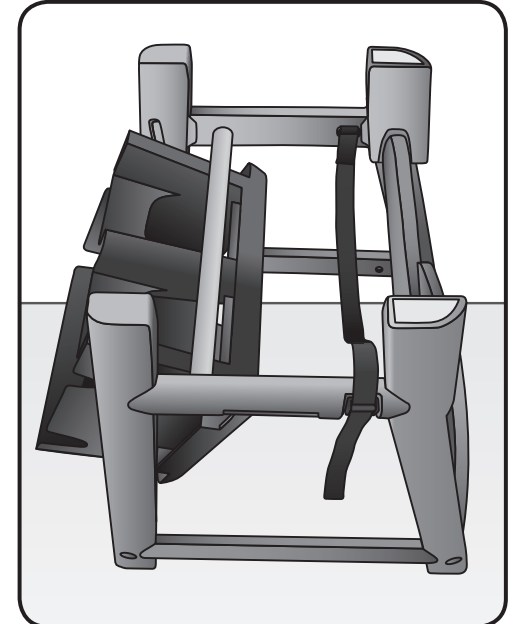
## KB966/KB977

This product is designed to be used as a high chair or an infant seat cradle to secure an infant car seat carrier.

### TO USE THE KIDSITTER® AS A HIGH CHAIR



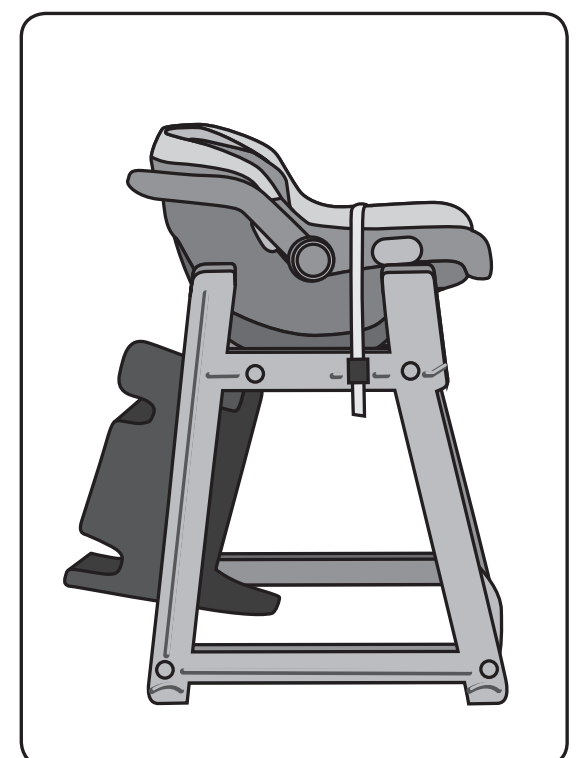
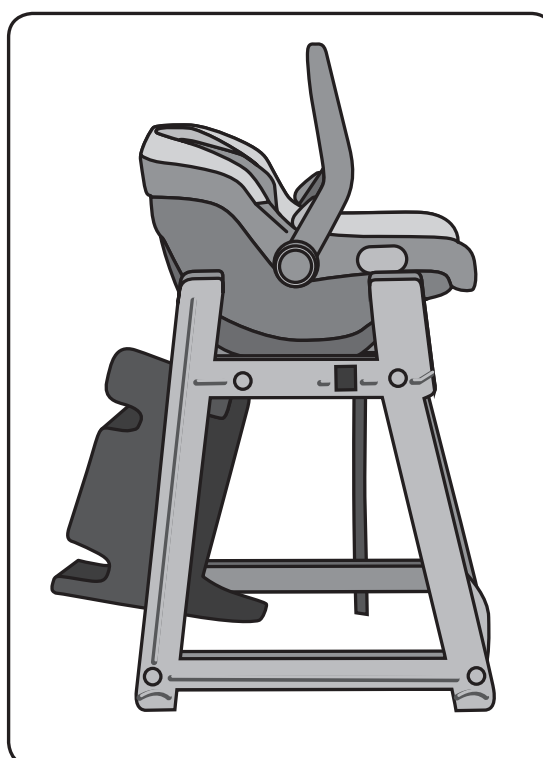
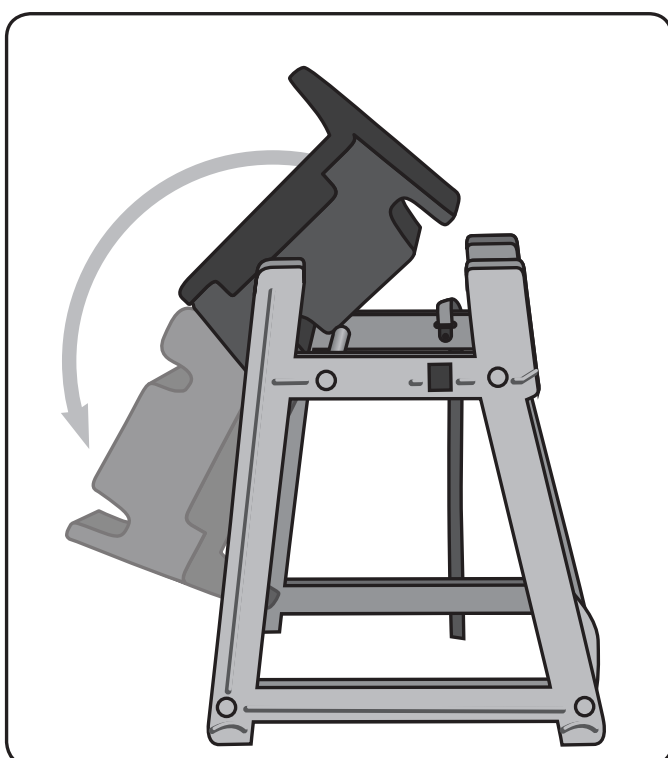
- Ensure that the seat is firmly positioned on the top of the legs and that the warning label is visible.
- Unbuckle the waist restraint strap and place child in high chair.
- To fasten the waist restraint strap to the child, push spring tabs into the buckle receptacle until both lock in place with an audible “click”.
- The waist restraint strap can be adjusted to make the strap looser or tighter.



- When in the high chair position, the long infant seat cradle strap should be stored below the high chair seat. Thread the strap through the buckle on the right leg, making sure there is plenty of slack so the high chair seat can be seated fully.

### TO CONVERT FROM THE HIGH CHAIR POSITION TO AN INFANT SEAT CRADLE

- Lift the seat upwards, allowing it to pivot forward between the high chair legs.
- Release the buckle that secures the long infant seat cradle strap.
- Product now allows for an infant car seat carrier to be placed where the seat was located. Position the infant car seat carrier so that it is secure between the legs of the product. Place infant car seat carrier perpendicular to the round cross bar on the chair, so that the child is facing away from suspended seat. Position in line with the directional arrows on the labels (visible at the top of the legs).
- When the infant car seat carrier is securely in place, the strap must be tightly fastened across the infant car seat carrier. To secure the infant car seat carrier, position the strap across the middle section of the infant car seat carrier. Thread strap through the buckle on the high chair leg and adjust until it fits securely against the infant car seat carrier.





# Koala KidSitter® Usage Instructions

Dual Use Plastic High Chair and Infant Seat Cradle



## INSPECTION CRITERIA

A properly maintained unit has two functioning, non-frayed straps. The long infant seat cradle strap is attached to one of the legs on one end and a buckle is attached on the opposite side. Ensure the strap feeds through the buckle and the strap is firmly secured when buckle is latched. The waist restraint strap is attached to the bottom of the seat. The chair has an intact warning label on the back of the seat surface.

## MAINTENANCE

Clean and sanitize regularly. The KidSitter® can be cleaned as follows: Wipe down high chair with a soft rag using a non-abrasive cleaner.

**Important:** DO NOT USE BLEACH on this product. May cause discoloration. Use of bleach on this product will void warranty. Do not use abrasive cleaners as they can scratch the product.

## RESTRAINT USAGE

When in use as a high chair, adjust the waist restraint strap until it fits securely against the child's waist, ensuring the buckles are tightly latched. When in use as an infant seat cradle, adjust the long strap until it fits securely against the infant car seat carrier, ensuring the buckle is tightly latched.

## ⚠️ WARNING!

### ⚠️ WARNING:

Always keep child in view while in the high chair. Stay near and watch child during use.

Always use restraints, and adjust to fit snugly. The child should be secured in the high chair at all times by the restraining system.

It is recommended that the high chair be used only by children capable of sitting upright unassisted.

Do not use the high chair unless all components are correctly fitted and adjusted.

**FALL HAZARD:** Children have suffered severe head injuries including skull fractures when falling from high chairs. Falls can happen suddenly if a child is not restrained properly.

### ⚠️ WARNING:

When using this product as a high chair, the product is designed to be used by an infant or child capable of sitting upright and unassisted.

Waist restraint strap should be buckled at all times when in use.

The child should be secured in the high chair or infant seat cradle at all times by the restraining system.