

# KB3000-AHL Adjustable Height Changing Station Technical Data Sheet

## Pre-Installation Requirements

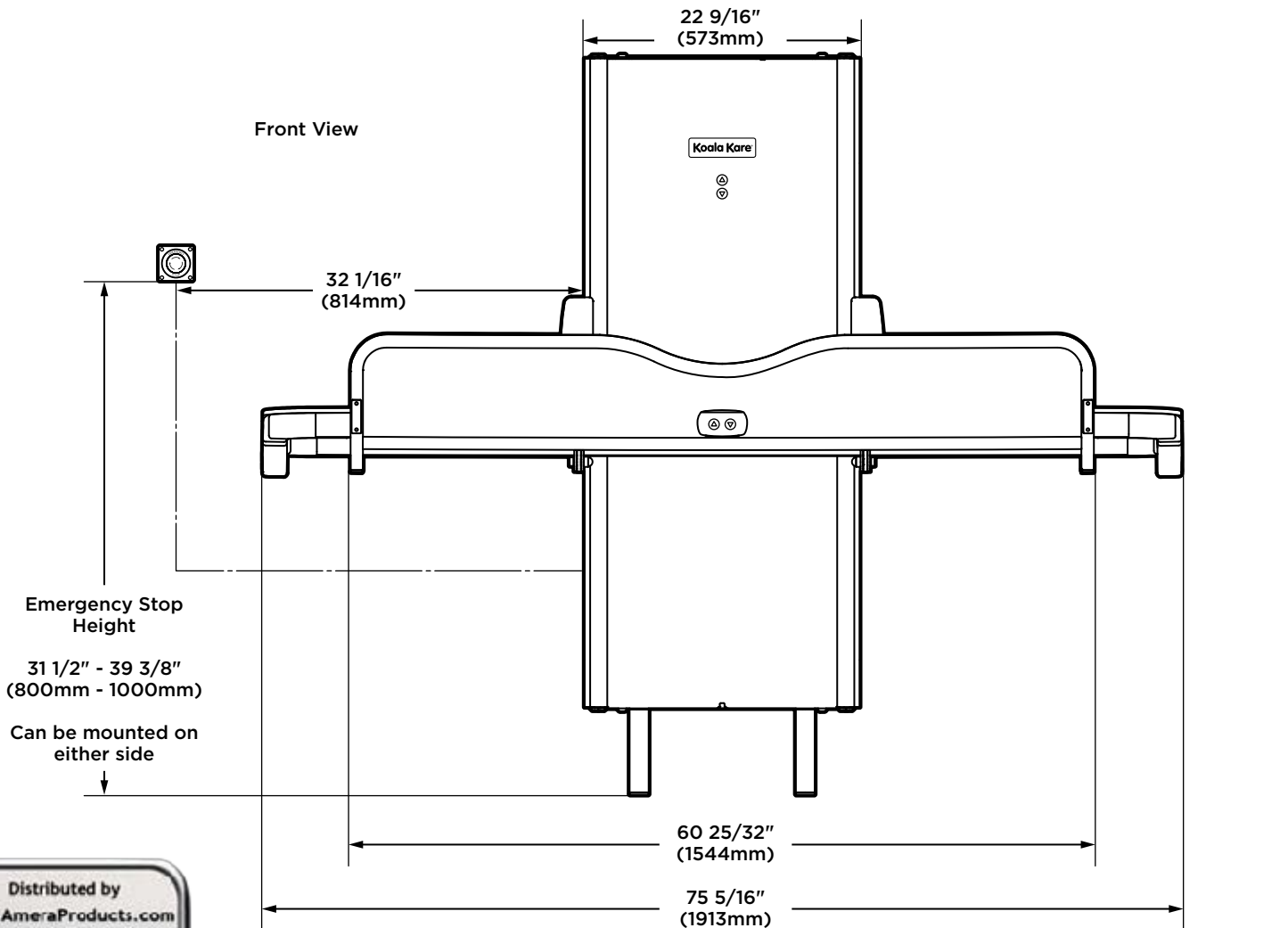
**Electrical requirement:** A switched 110v, electrical supply is required. A waterproof electrical supply will be required if used in wet room environment in accordance with build code regulations. The unit will be hard wired and should have control switch mounted in an appropriate location to isolate power supply. The emergency stop needs to be installed and traced into the wall.

**Fixing requirement:** The unit is wall-mounted and can rest on the floor or be wholly fitted to the wall.

The unit requires a minimum of 2" (50mm) at each end of the changing surface when installed.

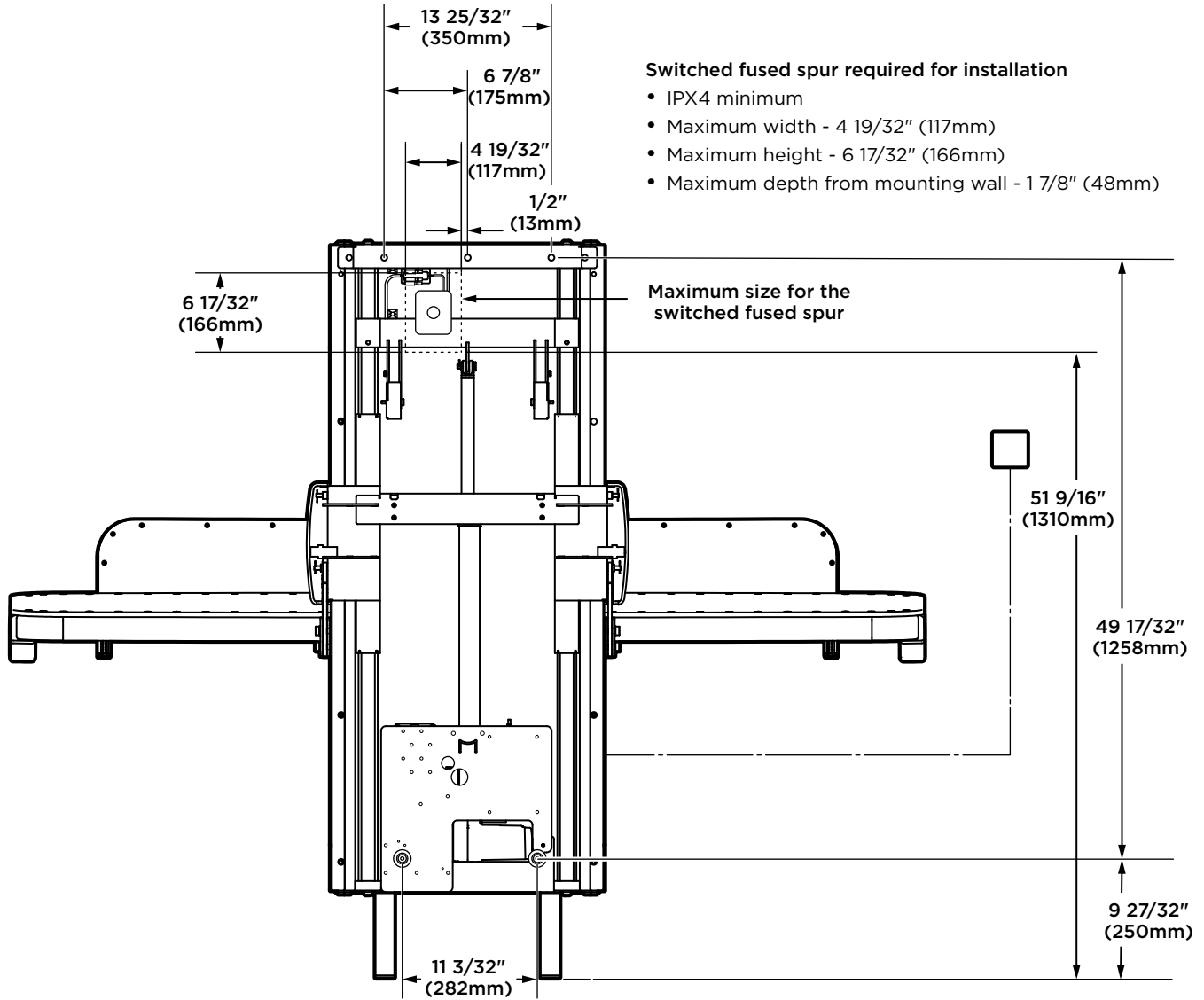
The wall must be load bearing and strong enough to bear a load of 220lbs at each of the wall fixings. The wall must also be flat and free from obstruction from floor level to the top of the wall mount and the width of the bed length specified, equal about the centerline of the unit. The wall must be faced with a minimum of 1" (25mm) thick marine plywood, secured every 4" (102mm). The plywood must be in contact and supported by the floor a minimum of 67" (1072mm) high.

**Please Note:** The unit cannot be mounted to metal studs or similar unless it has been fully reinforced with timber studs that are secured to the top of the wall and the floor and faced with marine plywood.





# KB3000-AHL Adjustable Height Changing Station Rear View



\*Diagrams are not to scale.

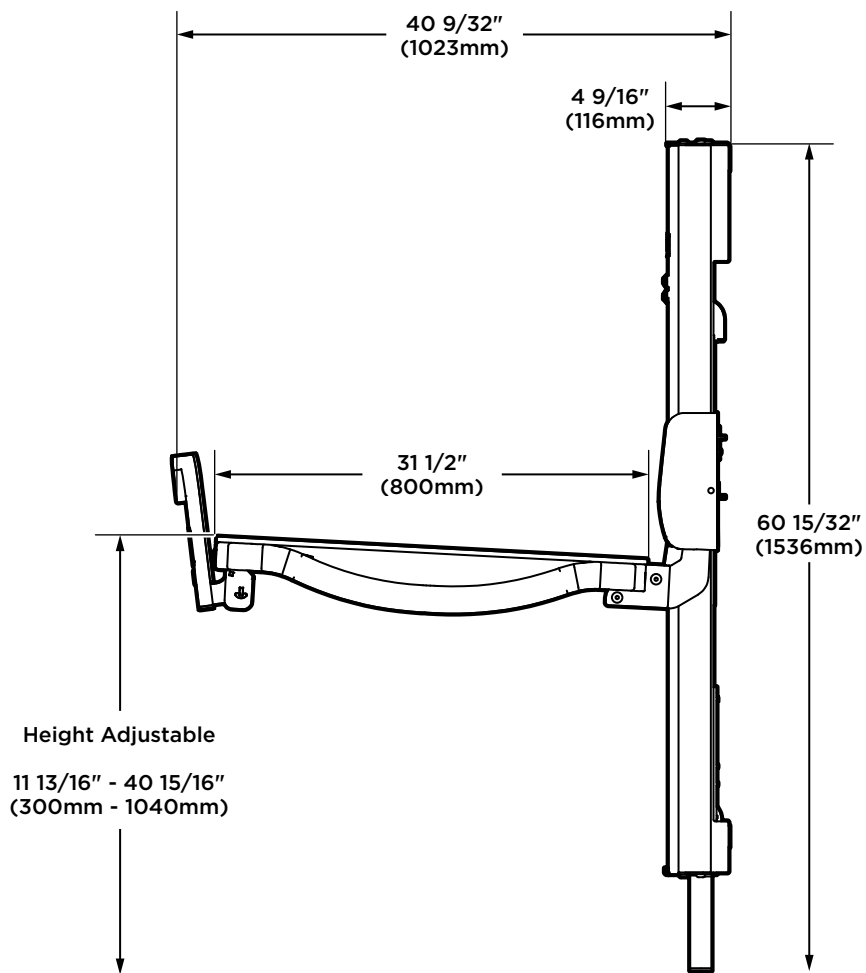
Distributed by  
www.Ameraproducts.com  
Phone: (800) 608-6548  
Fax: (409) 840-5941  
info@ameraproducts.com



# KB3000-AHL Adjustable Height Changing Station Side View

Shown in an open position

Shown in folded position



Distributed by  
[www.Ameraproducts.com](http://www.Ameraproducts.com)  
Phone: (800) 608-6548  
Fax: (409) 840-3545  
[info@ameraproducts.com](mailto:info@ameraproducts.com)

\*Diagrams are not to scale.

# KB3000-AHL Adjustable Height Changing Station Information

---

## Material

White UHMW PE sheet bed surface, with stainless steel retaining bars. Powder coated 2" (50mm) square steel tube changing surface frame. Stainless steel wall unit covering, with 6mm thick plastic pods to cover hinge mechanism. Powder coated square tube steel guard, backed with UHMW PE.

## Operation

Concealed pneumatic cylinders provide controlled, slow opening and closing of changing unit. Has been tested to exceed static load performance requirements of 500lbs when properly installed. Integrated guard allows for single handed operation with lift/drop locking mechanism allows rotation to stow against magnet and has 10° operating angle. Height adjustment controls located on front edge of changing surface and center top of wall unit.

## Specification

Adjustable height changing station shall have cut resistant single piece UHMW PE bed surface, attached to continuous 2" (50mm) square powder coated steel frame and integrated adjustable front guard. Front guard will be operable with one hand and lock in the up and down positions. Changing station shall have two integrated controls to be electronically height adjustable from 12" (300mm) - 41" (1040mm) and will have a fail-safe battery backup to prevent against unit failure during power outage. Clear indication lights give the status of the mains power connection and battery level. All moving parts shall be concealed or guarded in such way as to protect against pinch points or entrapment. The changing station shall be designed to support a load of up to 500lbs, with a changing surface that hammocks to provide optimal comfort to the occupant. Bed surface shall be cut resistant and field replaceable, with tamper resistant fasteners to connect it to the steel frame. Changing surface shall be no less than 75 ¼" (1911mm) x 31 ½" (800mm). Changing station shall be tested to meet IK10 Rating and shall have no exposed wiring/cables. Changing station shall be designed so that it can be hosed down for cleaning and can be used in wet room environment without compromising electronics.

*The illustrations and descriptions herein are applicable to production as of the date of this Technical Data Sheet. The manufacturer reserves the right to, and does from time to time, make changes and improvements in designs and dimensions without notice.*

**Koala Kare Products**  
**A Division of Bobrick**