



Distributed by
 www.Ameraproducts.com
 Phone: (800) 608-6568
 Fax: (409) 840-5545
 info@ameraproducts.com

SURFACE MOUNTED FLUSH ACCESS DOOR

Model DSC-214PL

For Plastered Surfaces

DATE



KARP ASSOCIATES, INC.
 260 Spagnoli Road Melville, NY 11747

SPECIFICATIONS

GENERAL SCOPE:

Access doors shall be Karp Type DSC-214PL as manufactured by Karp Associates, Inc., Melville, N.Y. Sizes shall be as indicated on the drawings.

CONSTRUCTION:

1. Frame shall be 16 gage steel and door shall be 14 gage steel.
2. Frame shall be surrounded by 22 gage expansion casing bead with metal lath.
3. Hinge shall be concealed continuous piano hinge.
4. Latches shall be flush and screwdriver operated, or shall be key operated cylinder lock with automatic dust shutter.
5. Finish shall be prime coat of rust inhibitive electrostatic powder, baked white enamel.

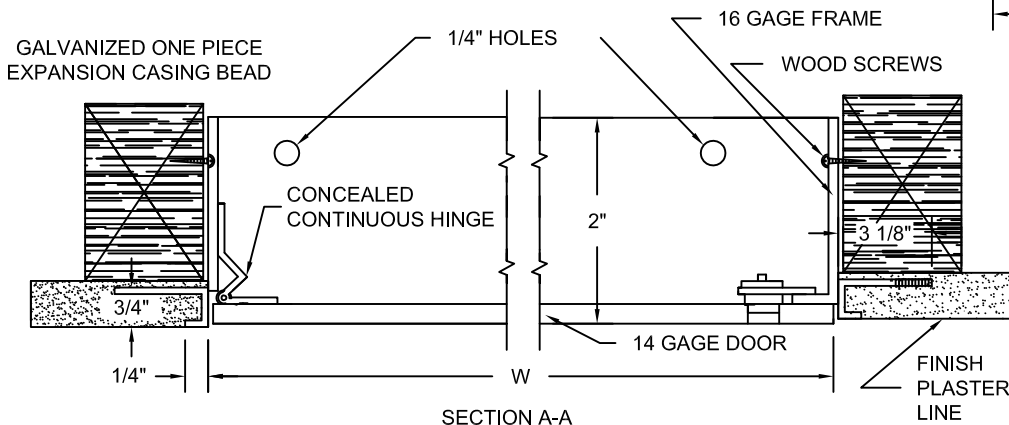
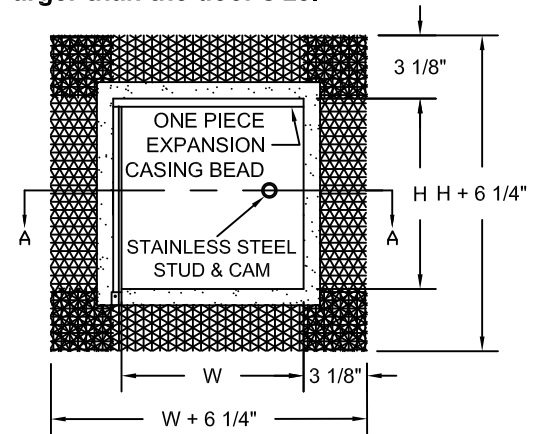
STANDARD SIZES

DOOR SIZE H X W (IN.)	WALL/CEILING OPENING (IN.)	NUMBER OF LATCHES	SHIP WT. (LBS.)
8 x 8	8 3/8 x 8 3/8	1	3.5
10 x 10	10 3/8 x 10 3/8	1	4.5
12 x 12	12 3/8 x 12 3/8	1	6.0
14 x 14	14 3/8 x 14 3/8	2	8.5
16 x 16	16 3/8 x 16 3/8	2	10.0
18 x 12	18 3/8 x 12 3/8	2	13.0
18 x 18	18 3/8 x 18 3/8	2	14.0
20 x 16	20 3/8 x 16 3/8	2	12.0
24 x 12	24 3/8 x 12 3/8	2	10.6
24 x 20	24 3/8 x 20 3/8	2	17.0
24 x 24	24 3/8 x 24 3/8	5	20.0
30 x 20	30 3/8 x 20 3/8	5	21.0
30 x 24	30 3/8 x 24 3/8	5	23.5
30 x 30	30 3/8 x 30 3/8	5	30.0
36 x 24	36 3/8 x 24 3/8	5	28.0
36 x 36	36 3/8 x 36 3/8	5	39.0

PROJECT DATA					
Project Name:					
Architect:					
Contractor:					
Agent/Customer Name:					
Tagging Instructions:					
Special Instructions:					

PROJECT SCHEDULE					
Qty.	H	W	No. of Latches	Finish	Remarks

* The wall opening size for doors larger than 48 x 36 shall be 1/2" larger than the door size.



Made with Union Labor