



Distributed by
 www.Ameraproducts.com
 Phone: (800) 608-6568
 Fax: (409) 840-5545
 info@ameraproducts.com

RECESSED ACCESS DOOR

Model DSC-210

For Acoustical Tile

DATE



KARP ASSOCIATES, INC.
 260 Spagnoli Road, Melville, NY 11747

SPECIFICATIONS

GENERAL SCOPE:

Access doors shall be Karp Type DSC-210 as manufactured by Karp Associates, Inc., Melville, N.Y. Sizes shall be as indicated on the drawings.

CONSTRUCTION:

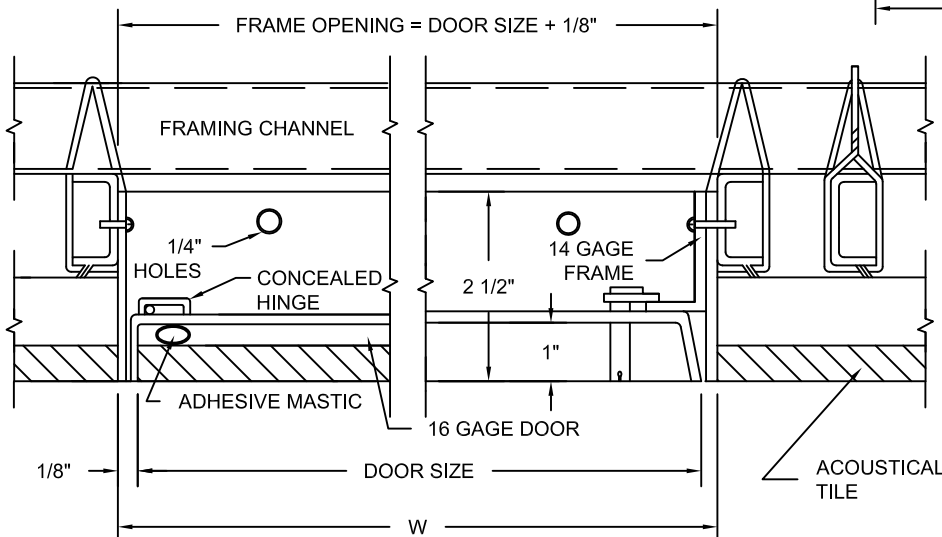
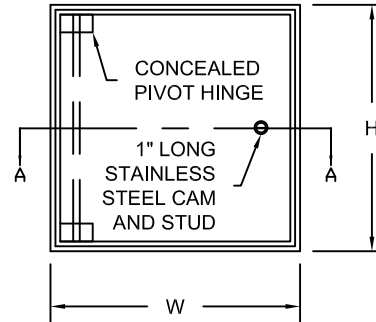
1. Frame shall be 14 gage steel and door shall 16 gage steel.
2. Door shall be recessed 1".
3. Hinge shall be concealed pivoting rod type.
4. Locks shall be flush and screwdriver operated with cam and studs, or shall be key operated cylinder lock with automatic dust shutter.
5. Finish shall be prime coat of rust inhibitive electrostatic powder, baked white enamel.

STANDARD SIZES

DOOR SIZE H X W (IN.)	WALL/CEILING OPENING (IN.)	NUMBER OF STUD LATCHES	SHIP WT. (LBS.)
12 x 12	12 1/8 x 12 1/8	1	6.7
18 x 18	18 1/8 x 18 1/8	2	12.4
24 x 12	24 1/8 x 12 1/8	2	10.6
24 x 24	24 1/8 x 24 1/8	2	19.2
36 x 24	36 1/8 x 24 1/8	2	32.0

PROJECT DATA					
Project Name:					
Architect:					
Contractor:					
Agent/Customer Name:					
Tagging Instructions:					
Special Instructions:					

PROJECT SCHEDULE					
Qty.	H	W	No. of Latches	Finish	Remarks



SECTION A-A



Made with Union Labor