

ITEM NO.	PART NUMBER	DESCRIPTION
1	DR-KIT-PI-9	KIT - 9" PRESSURE INTENSIFIER
2	DR-KIT-PI-15	KIT - 15" PRESSURE INTENSIFIER
3	DR-KIT-HOA	KIT - HOLD OPEN ARM
4	DR-KIT-1PL	KIT - ONE POINT LATCH
5	DR-KIT-2PL-XXX	KIT- XX INCH TWO POINT LATCH
6	DR-KIT-GSKT-12	KIT - GASKET
7	DR-KIT-SC	KIT - STOP CABLE

REVISIONS					
REV	ECO	DESCRIPTION	REV. DATE	REV. BY	REV. CHECKED BY
B	1398	GALVANNEAL PROJECT	02/16/2023	AJV	BLR

**RULES:**

**9" PRESSURE INTENSIFIER:**

UNIT SIZE <= 42" X 36"

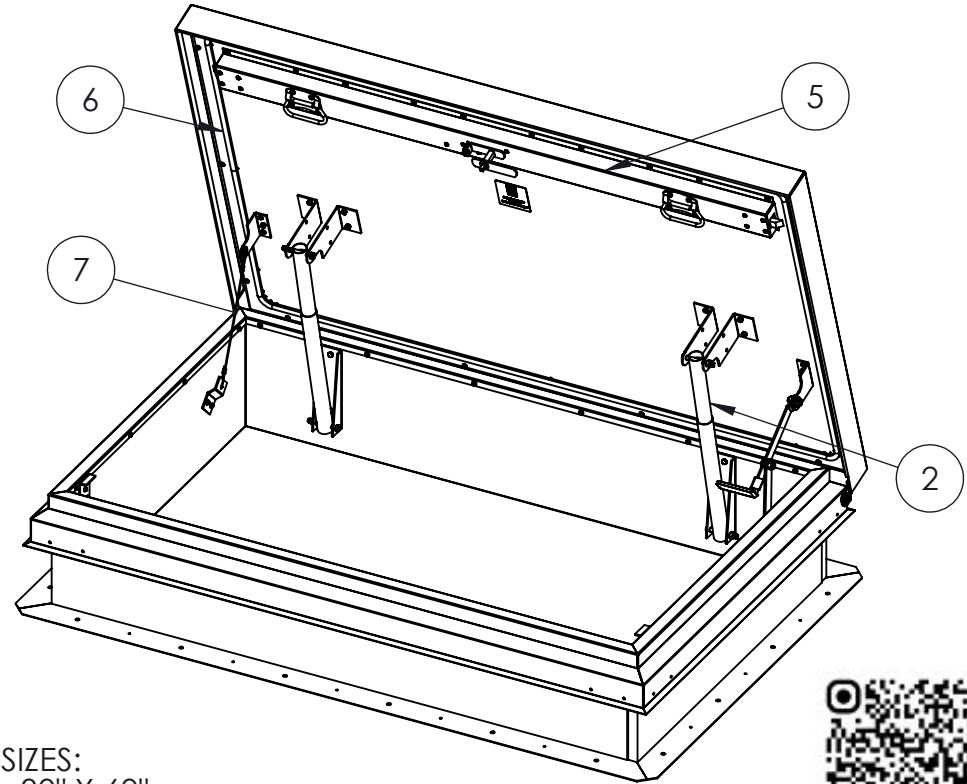
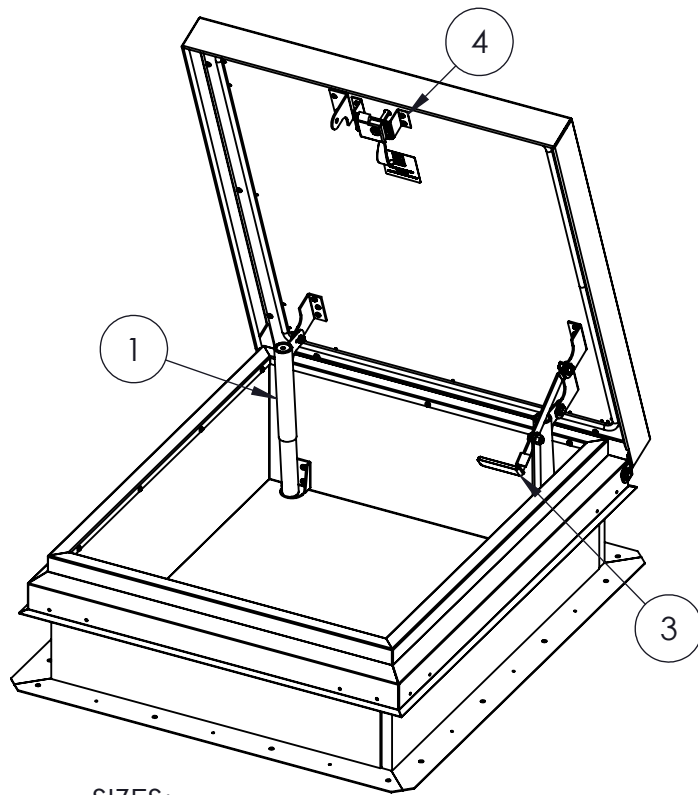
**15" PRESSURE INTENSIFIER:**

UNIT SIZE > 42" X 36"

OR UNIT SIZE >= 30" X 48"

**ONE POINT LATCH: UNIT LENGTH <= 54"**

**TWO POINT LATCH: UNIT LENGTH > 54"**



**SIZES:**

- 36" X 30"
- 36" X 36"
- 37" X 30"
- 48" X 48"
- 30" X 54"

**SIZES:**

- 30" X 60"
- 36" X 96"
- 32" X 72"
- 30" X 96"

Distributed by  
[www.AmeraProducts.com](http://www.AmeraProducts.com)  
 Phone: (800) 608-6548  
 Fax: (409) 840-5545  
[info@ameraproducts.com](mailto:info@ameraproducts.com)

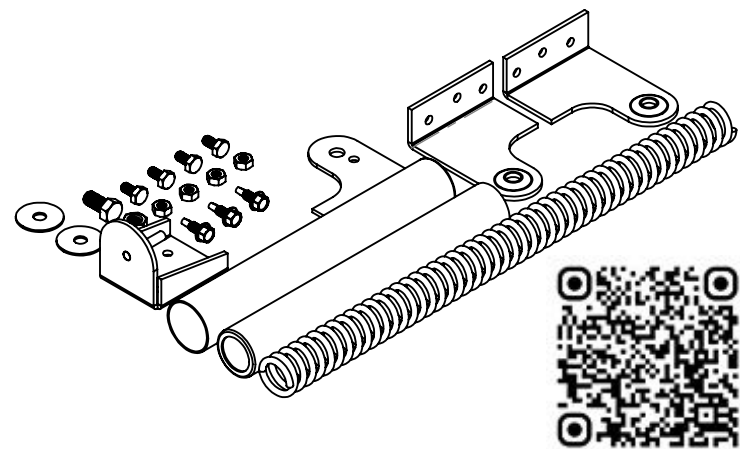
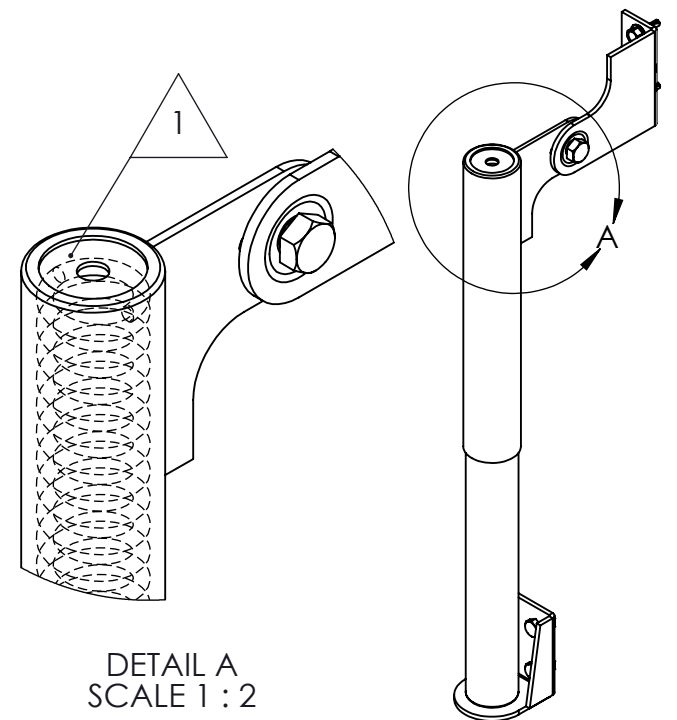
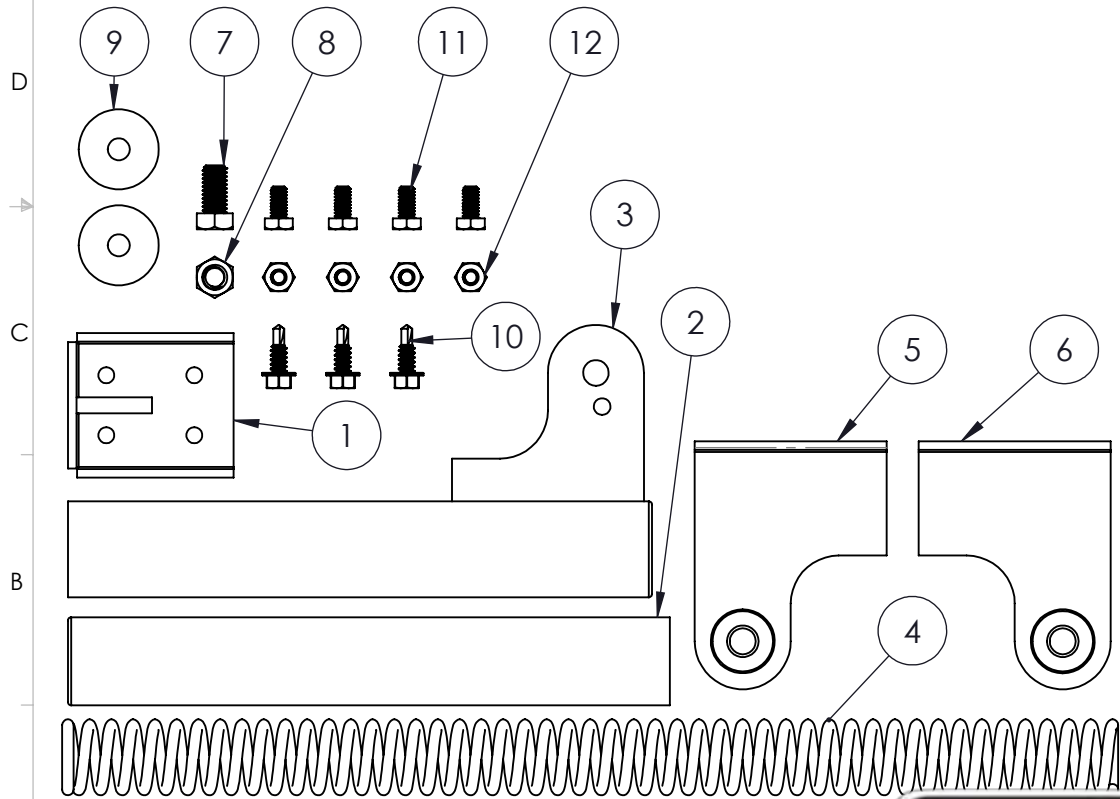


NOTES:

MATERIAL	SHEET 1 OF 1		UNLESS OTHERWISE SPECIFIED: DIMENSIONS ARE IN INCHES	<b>ACTIVAR</b> CONSTRUCTION PRODUCTS GROUP, INC.
FINISH	NAME	DATE		
CREATED	AJV	02/10/2023	TOLERANCES:	TITLE: DUR-RED REPLACEMENTS ROOF HATCH KIT
CHECKED	BLR	2/10/2023	ANGULAR: BEND ±1°	
CONFIDENTIALITY STATEMENT PROPRIETARY AND CONFIDENTIAL. THE INFORMATION CONTAINED IN THIS DRAWING IS THE SOLE PROPERTY OF ACTIVAR CONSTRUCTION PRODUCTS GROUP, INC. ANY REPRODUCTION IN PART OR AS A WHOLE WITHOUT THE WRITTEN PERMISSION OF ACTIVAR CONSTRUCTION PRODUCTS GROUP, INC. IS PROHIBITED. COPYRIGHT 2017 ACTIVAR CONSTRUCTION PRODUCTS GROUP, INC.			DO NOT SCALE DRAWING	INTERPRET GEOMETRIC TOLERANCING PER: ASME Y 14.5 M-1994
THIRD ANGLE			SCALE: 1:16	SIZE DWG. NO. <b>A RHU-KIT</b>

ITEM NO.	PART NUMBER	DESCRIPTION	QTY.
1	43136	PRESSURE INTENSIFIER 9" - BASE ASSY	1
2	43139	PRESSURE INTENSIFIER 9" - BOTTOM TUBE	1
3	43141	PRESSURE INTENSIFIER 9" - TOP ASSY	1
4	42194	PRESSURE INTENSIFIER 9" COMPRESSION SPRING	1
5	43070	BRACKET, RIGHT, HOLD OPEN ARM, PRESSURE INTENSIFIER	1
6	43069	BRACKET, LEFT, HOLD OPEN ARM, PRESSURE INTENSIFIER	1
7	1FSE-XHH-0G160D-SL	3/8-16 X 3/4" ZINC PLATED HEX HEAD SCREW	1
8	1FNE-XHHLCD-0G16-C01	3/8-16, ZINC PLATED HEX LOCKNUT	1
9	1FWE-FO-0M1B	5/16" SCREW SIZE ZINC PLATED OVERSIZED WASHER	2
10	1FSE-XHH-0B140D-DS	1/4-14 X 3/4 ZINC PLATED SELF DRILLING HEX HEAD SCREW	3
11	1FSE-XHH-0B200C-SL	1/4-20 X 1/2", ZINC PLATED STEEL HEX HEAD SCREW	4
12	1FNE-XHH-0B20-G2SL	NUT, 1/4-20, HEX	4

REVISIONS					
REV	ECO	DESCRIPTION	REV. DATE	REV. BY	REV. CHECKED BY
C	1608	FINISH UPDATE	09/12/2023	AJV	BLR



NOTES:

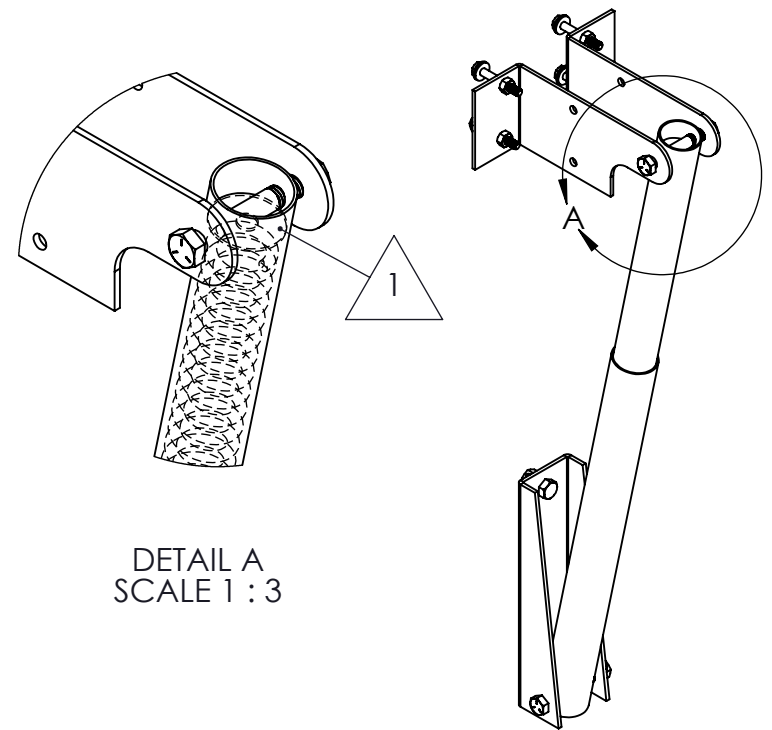
1 WASHERS ARE TO BE PLACED BETWEEN COMPRESSION SPRING AND TUBE

Distributed by  
[www.Ameraproducts.com](http://www.Ameraproducts.com)  
 Phone: (800) 608-6548  
 Fax: (409) 840-3545  
[info@ameraproducts.com](mailto:info@ameraproducts.com)

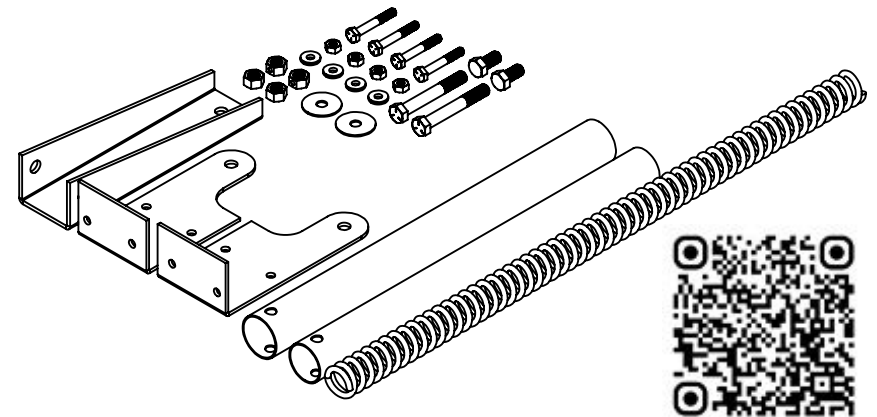
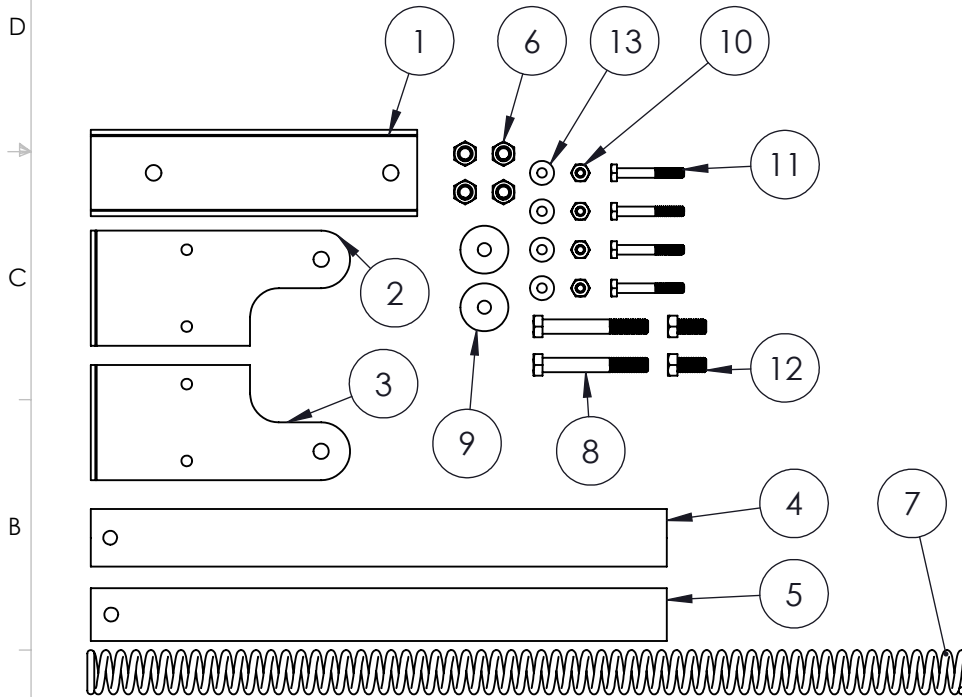
MATERIAL	SHEET 1 OF 1		UNLESS OTHERWISE SPECIFIED: DIMENSIONS ARE IN INCHES	<b>ACTIVAR</b> CONSTRUCTION PRODUCTS GROUP, INC.
FINISH	NAME DATE			
CREATED	AJV	10/07/2022	TOLERANCES:	TITLE: DUR-RED REPLACEMENT KIT PI: 9" PRESSURE INTENSIFIER KIT
CHECKED	GST	10/7/2022	ANGULAR: BEND ±1°	
DO NOT SCALE DRAWING			.XX ±.020	
CONFIDENTIALITY STATEMENT PROPRIETARY AND CONFIDENTIAL. THE INFORMATION CONTAINED IN THIS DRAWING IS THE SOLE PROPERTY OF ACTIVAR CONSTRUCTION PRODUCTS GROUP, INC. ANY REPRODUCTION IN PART OR AS A WHOLE WITHOUT THE WRITTEN PERMISSION OF ACTIVAR CONSTRUCTION PRODUCTS GROUP, INC. IS PROHIBITED. COPYRIGHT 2017 ACTIVAR CONSTRUCTION PRODUCTS GROUP, INC.			HOLES ±.015	INTERPRET GEOMETRIC TOLERANCING PER: ASME Y 14.5 M-1994
THIRD ANGLE			SCALE: 1:3	
			SIZE DWG. NO.	A DR-KIT-PI-9

ITEM NO.	PART NUMBER	DESCRIPTION	QTY.
1	43129	PRESSURE INTENSIFIER 15" - BOTTOM BRACKET	1
2	43131	PRESSURE INTENSIFIER 15" - LEFT BRACKET	1
3	43133	PRESSURE INTENSIFIER 15" - RIGHT BRACKET	1
4	43130	PRESSURE INTENSIFIER 15" - BOTTOM TUBE	1
5	43134	PRESSURE INTENSIFIER 15" - TOP TUBE	1
6	1FNE-XHHLCD-0G16-C01	3/8-16, ZINC PLATED HEX LOCKNUT	4
7	42165	PRESSURE INTENSIFIER 15" LIGHT DUTY COMPRESSION SPRING	1
8	1FSE-XHH-0G162D-C01	3/8-16 X 2-3/4 ZINC PLATED HEX HEAD SCREW PARTIALLY THREADED	2
9	1FWE-FO-0M1B	5/16" SCREW SIZE ZINC PLATED OVERSIZED WASHER	2
10	1FNE-XHH-0B20-G2SL	1/4-20, ZINC PLATED STEEL HEX NUT	4
11	1FSE-XHH-0B201D	1/4-20 X 1-3/4" ZINC PLATED HEX HEAD SCREW	4
12	1FSE-XHH-0G160D-SL	3/8-16 X 3/4" ZINC PLATED HEX HEAD SCREW	2
13	1FWA-SMN-0B0H	5/16" ALUMINUM NEOPRENE RUBBER SEALING WASHER	4

REVISIONS					
REV	ECO	DESCRIPTION	REV. DATE	REV. BY	REV. CHECKED BY
C	1608	HARDWARE UPDATE	07/21/2023	AJV	BLR



DETAIL A  
SCALE 1 : 3



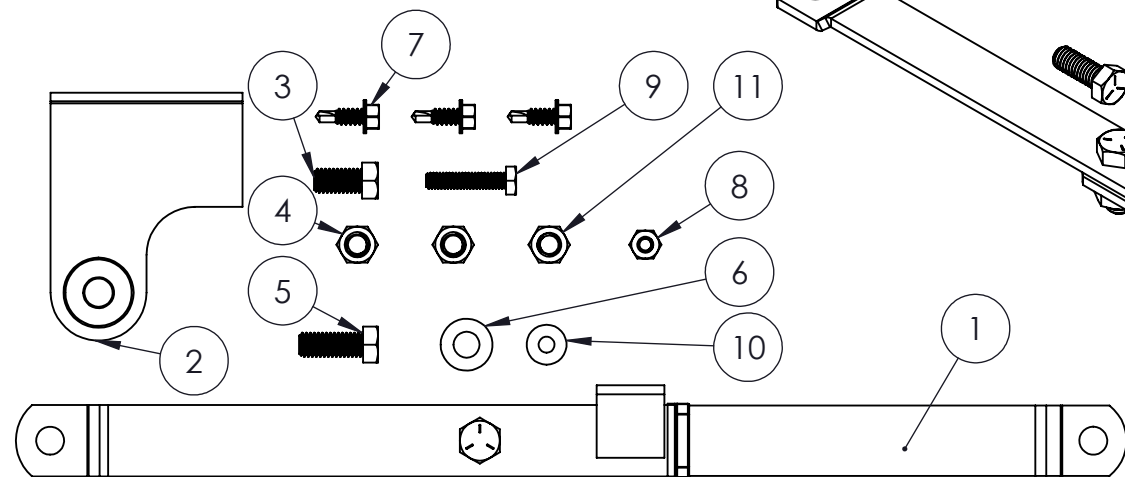
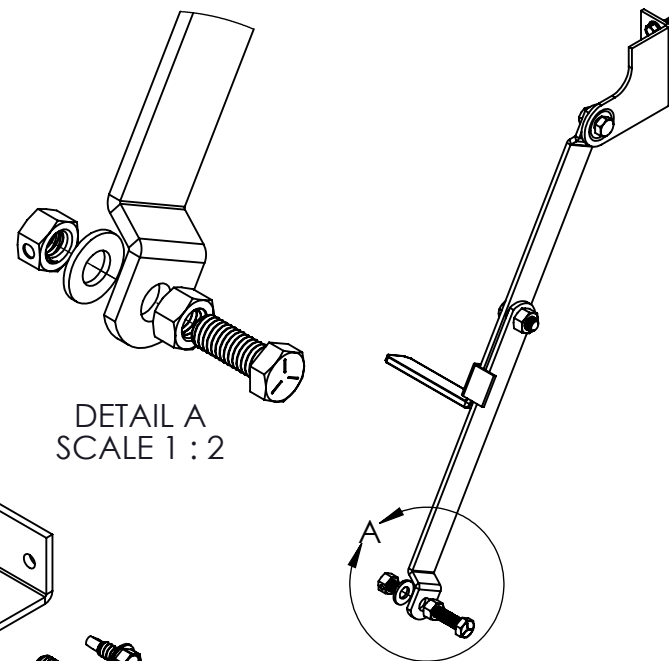
Distributed by  
[www.Ameraproducts.com](http://www.Ameraproducts.com)  
 Phone: (800) 608-6548  
 Fax: (409) 840-3541  
[info@ameraproducts.com](mailto:info@ameraproducts.com)

NOTES:  HAVE WASHERS PLACED BETWEEN COMPRESSION SPRING AND BOLT

MATERIAL			SHEET 1 OF 1	<b>ACTIVAR</b> CONSTRUCTION PRODUCTS GROUP INC.
FINISH			UNLESS OTHERWISE SPECIFIED: DIMENSIONS ARE IN INCHES	
CREATED	NAME AJV	DATE 10/17/2022	TOLERANCES: ANGULAR: BEND ±1° .XX ±.020 .XXX ±.015 HOLES ±.005	TITLE: DUR-RED REPLACEMENT KIT PI: 15" PRESSURE INTENSIFIER KIT
CHECKED	BLR	10/17/2022	INTERPRET GEOMETRIC TOLERANCING PER: ASME Y 14.5 M-1994	SIZE DWG. NO. A DR-KIT-PI-15
<small>CONFIDENTIALITY STATEMENT          PROPRIETARY AND CONFIDENTIAL. THE INFORMATION CONTAINED IN THIS DRAWING IS THE SOLE PROPERTY OF ACTIVAR CONSTRUCTION PRODUCTS GROUP, INC. ANY REPRODUCTION IN PART OR AS A WHOLE WITHOUT THE WRITTEN PERMISSION OF ACTIVAR CONSTRUCTION PRODUCTS GROUP, INC. IS PROHIBITED.          © COPYRIGHT 2017 ACTIVAR CONSTRUCTION PRODUCTS GROUP, INC.</small>			DO NOT SCALE DRAWING	SCALE: 1:5
			THIRD ANGLE	

ITEM NO.	PART NUMBER	DESCRIPTION	QTY.
1	43119	HOLD OPEN ARM - RIGHT ASSY	1
2	43070	BRACKET, RIGHT, HOLD OPEN ARM, PRESSURE INTENSIFIER	1
3	1FSE-XHH-0G160D-SL	3/8-16 X 3/4" ZINC PLATED HEX HEAD SCREW	1
4	1FNE-XHHLCD-0G16-C01	3/8-16, ZINC PLATED HEX LOCKNUT	2
5	1FSE-XHH-0G161A	3/8-16 X 1" ZINC PLATED HEX HEAD SCREW	1
6	1FWE-F-0G-PS	ZINC-PLATED STEEL SAE WASHER, FOR 3/8" SCREW SIZE	1
7	1FSE-XHH-0B140D-DS	1/4-14 X 3/4 ZINC PLATED SELF DRILLING HEX HEAD SCREW	3
8	1FNE-XHH-0B20-G2SL	NUT, 1/4-20, HEX	1
9	1FSE-XHH-0B201B-G5SM	SCREW, 1/4-20 X 1-1/4, HEX	1
10	1FWA-SMN-0B0H	5/16" ALUMINUM NEOPRENE RUBBER SEALING WASHER	1
11	1FNE-XHH-0G16-G5	3/8-16 ZINC PLATED HEX NUT GRADE 5	1

REVISIONS					
REV	ECO	DESCRIPTION	REV. DATE	REV. BY	REV. CHECKED BY
C	1598	HW UPDATE	08/04/2023	AJV	BLR



Distributed by  
**www.Ameraproducts.com**  
 Phone: (800) 608-6548  
 Fax: (409) 840-5541  
 info@ameraproducts.com

MATERIAL		
FINISH		
CREATED	NAME AJV	DATE 10/07/2022
CHECKED	GST	10/7/2022
<small>CONFIDENTIALITY STATEMENT          PROPRIETARY AND CONFIDENTIAL THE INFORMATION CONTAINED IN THIS DRAWING IS THE SOLE PROPERTY OF ACTIVAR CONSTRUCTION PRODUCTS GROUP, INC. ANY REPRODUCTION IN PART OR AS A WHOLE WITHOUT THE WRITTEN PERMISSION OF ACTIVAR CONSTRUCTION PRODUCTS GROUP, INC. IS PROHIBITED.          © COPYRIGHT 2017 ACTIVAR CONSTRUCTION PRODUCTS GROUP, INC.</small>		
DO NOT SCALE DRAWING		 THIRD ANGLE

SHEET 1 OF 1  
 UNLESS OTHERWISE SPECIFIED:  
 DIMENSIONS ARE IN INCHES  
 TOLERANCES:  
 ANGULAR: BEND  $\pm 1^\circ$   
 .XX  $\pm .020$   
 .XXX  $\pm .015$   
 HOLES  $\pm .005$   
 INTERPRET GEOMETRIC TOLERANCING PER:  
 ASME Y 14.5 M-1994  
 SCALE: 1:3

**ACTIVAR**  
CONSTRUCTION PRODUCTS GROUP, INC.  
 TITLE: DUR-RED REPLACEMENT KIT HOA: HOLD OPEN ARM KIT  
 SIZE DWG. NO. A DR-KIT-HOA

NOTES:

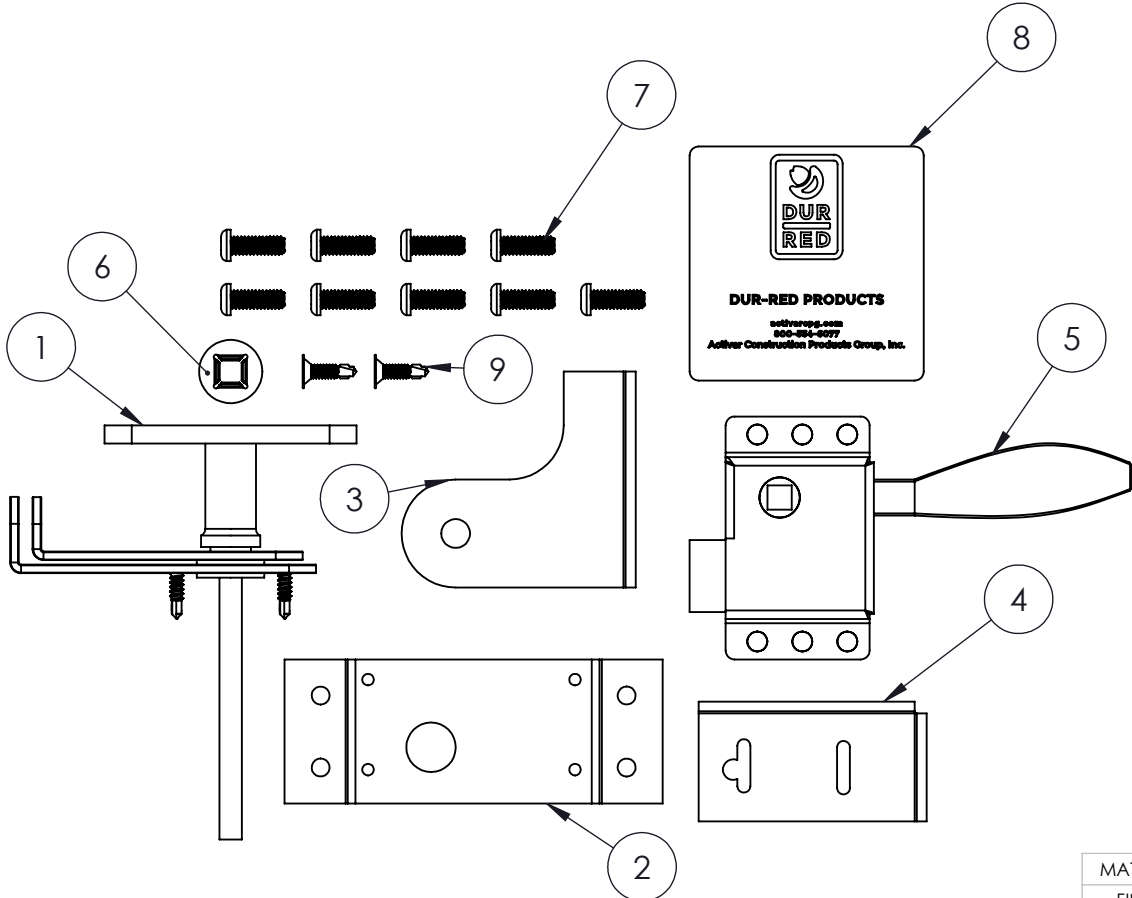
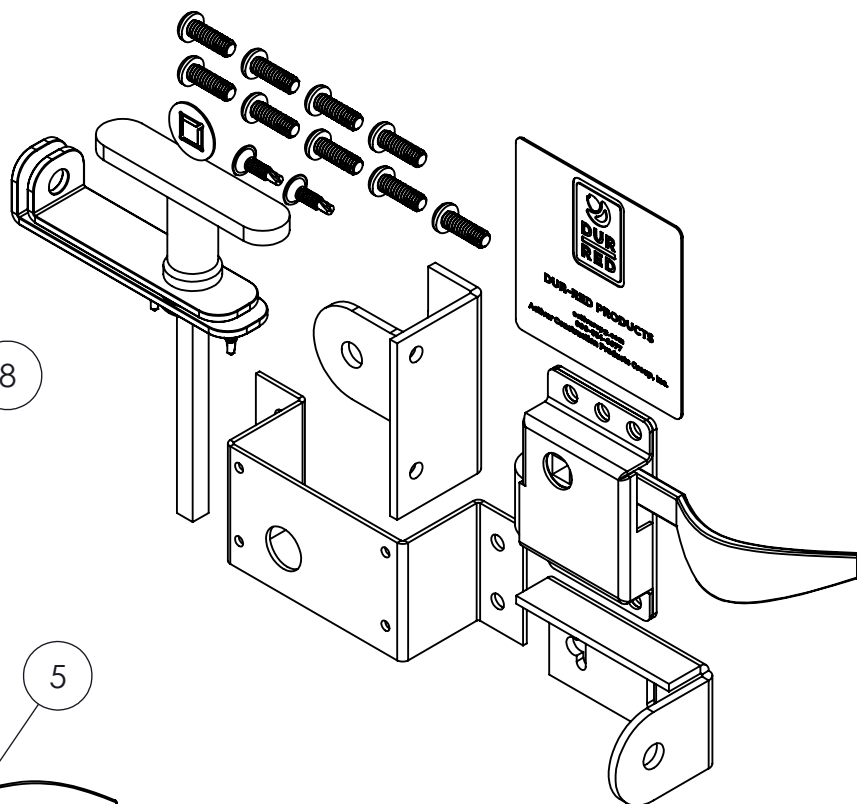
F  
E  
D  
C  
B  
A

F  
E  
D  
C  
B  
A

8 7 6 5 4 3 2 1

ITEM NO.	PART NUMBER	DESCRIPTION	QTY.
1	42224	72-S PADLOCKING HANDLE	1
2	43125	ONE POINT LATCH - BRACKET	1
3	43126	ONE POINT LATCH - PADLOCK	1
4	43127	ONE POINT LATCH - STRIKE PLATE	1
5	0501	LATCH ROOF HATCH 55 CAB LOCK	1
6	42088	TINNERMAN CLIP	1
7	1246	SCREW ROUND HEAD TORX 1/4-20 X 3/4	9
8	DR-DECAL	DECAL, DUR-RED PRODUCT LABEL	1
9	1FSE-PW-10240D-DS	#10-24 X 3/4" ZINC PLATED PHILIPS WAFER SCREW SELF DRILLING	2

REVISIONS					
REV	ECO	DESCRIPTION	REV. DATE	REV. BY	REV. CHECKED BY
A		INITIAL RELEASE			



Distributed by  
[www.Ameraproductions.com](http://www.Ameraproductions.com)  
 Phone: (800) 608-6548  
 Fax: (409) 840-5541  
[info@ameraproductions.com](mailto:info@ameraproductions.com)



MATERIAL		
FINISH		
CREATED	NAME AJV	DATE 01/10/2024
CHECKED	BLR	1/10/2024
<small>CONFIDENTIALITY STATEMENT          PROPRIETARY AND CONFIDENTIAL THE INFORMATION CONTAINED IN THIS DRAWING IS THE SOLE PROPERTY OF ACTIVAR CONSTRUCTION PRODUCTS GROUP, INC. ANY REPRODUCTION IN PART OR AS A WHOLE WITHOUT THE WRITTEN PERMISSION OF ACTIVAR CONSTRUCTION PRODUCTS GROUP, INC. IS PROHIBITED.          COPYRIGHT 2017 ACTIVAR CONSTRUCTION PRODUCTS GROUP, INC.</small>		
DO NOT SCALE DRAWING		
<small>INTERPRET GEOMETRIC TOLERANCING PER:          ASME Y 14.5 M-1994</small>		
SCALE: 3:8		

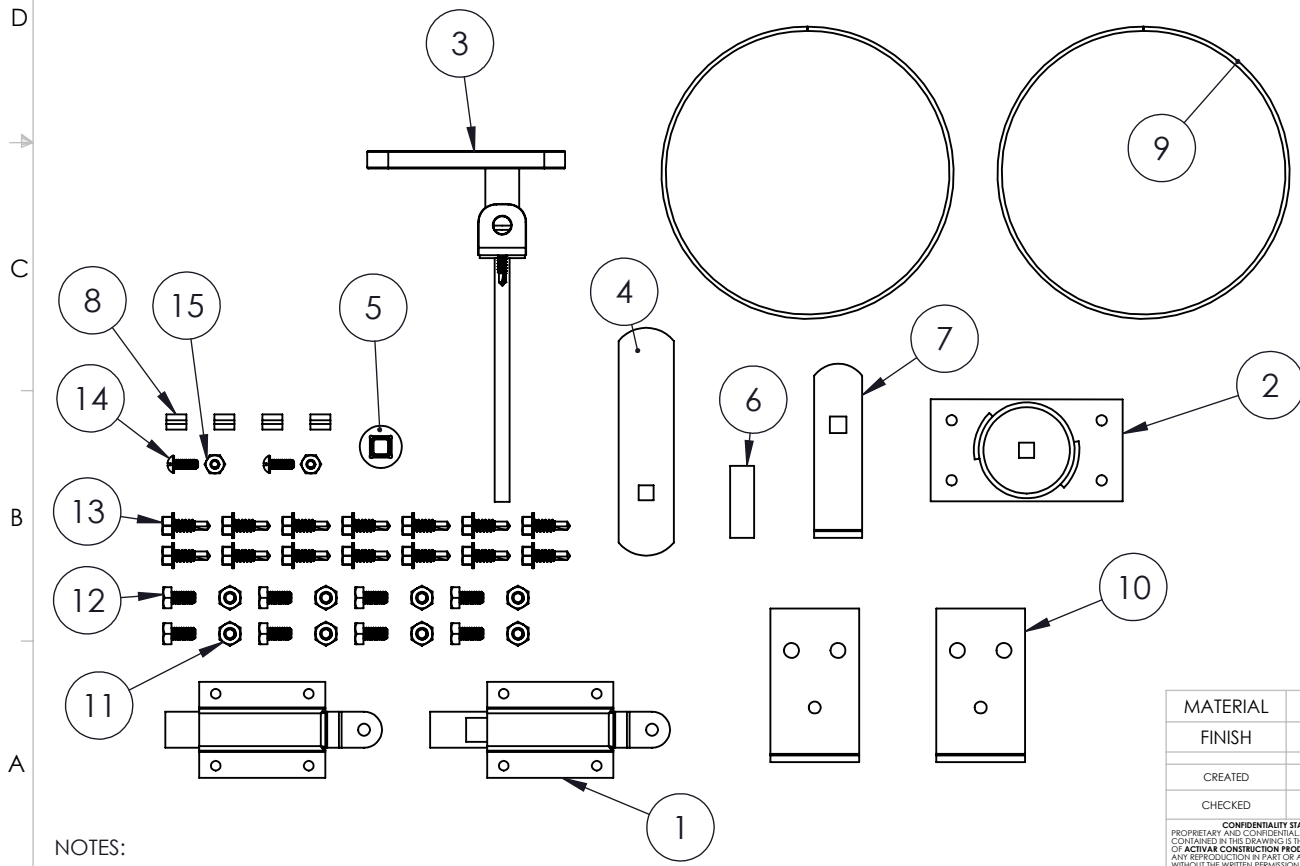
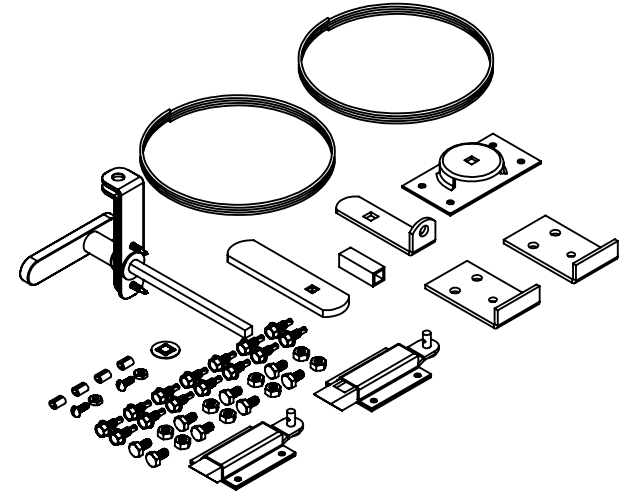
SHEET 1 OF 1  
 UNLESS OTHERWISE SPECIFIED:  
 DIMENSIONS ARE IN INCHES  
 TOLERANCES:  
 ANGULAR: BEND ±1°  
 .XX ±.020  
 .XXX ±.015  
 HOLES ±.005

**ACTIVAR**  
 CONSTRUCTION PRODUCTS GROUP, INC.  
 TITLE: KIT, ONE POINT LATCH ASSEMBLY WITH STRIKE PLATE  
 SIZE DWG. NO. A DR-KIT-1PL

NOTES: INSTALL ⑤ ONTO ② PRIOR TO SHIPPING USING ⑦

ITEM NO.	PART NUMBER	DESCRIPTION	QTY.
1	42238	90-W FLUSH BOLT, REVERSE BOLT, 45 DEG	2
2	42241	CENTER OPERATOR, 2 POINT LATCH SYSTEM, RH	1
3	42884	72 PADLOCK HANDLE DIPPED, 7"	1
4	42324	INTERIOR HANDLE, TWO POINT LATCH, DIPPED, STAINLESS	1
5	42088	TINNERMAN CLIP	1
6	43205-1C	TWO POINT LATCH - INSIDE SPACER	1
7	43183	TWO POINT LATCH - PADLOCK ARM	1
8	42291	CABLE CRIMP, 3/32 WIRE DIA, COPPER	4
9	42291-54	3/32 CABLE, 7X7 GALVANIZED - 54" LONG	2
10	43185	TWO POINT LATCH - STRIKE PLATE	2
11	1FNE-XHH-0B20-G2SL	1/4-20, ZINC PLATED STEEL HEX NUT	8
12	1FSE-XHH-0B200C-SL	1/4-20 X 1/2", ZINC PLATED STEEL HEX HEAD SCREW	8
13	1FSE-XHH-0B140D-DS	1/4-14 X 3/4 ZINC PLATED SELF DRILLING HEX HEAD SCREW	14
14	1FSE-FR-10240C	10-24 X 1/2" ZINC PLATED DECORATIVE ROUND HEAD SLOTTED SCREW	2
15	1FNE-XHH-1024-SL	10-24 ZINC PLATED HEX NUT	2

REVISIONS					
REV	ECO	DESCRIPTION	REV. DATE	REV. BY	REV. CHECKED BY
A		INITIAL RELEASE			



Distributed by  
[www.AmerapProducts.com](http://www.AmerapProducts.com)  
 Phone: (800) 608-6568  
 Fax: (409) 840-5545  
[info@ameraproducts.com](mailto:info@ameraproducts.com)

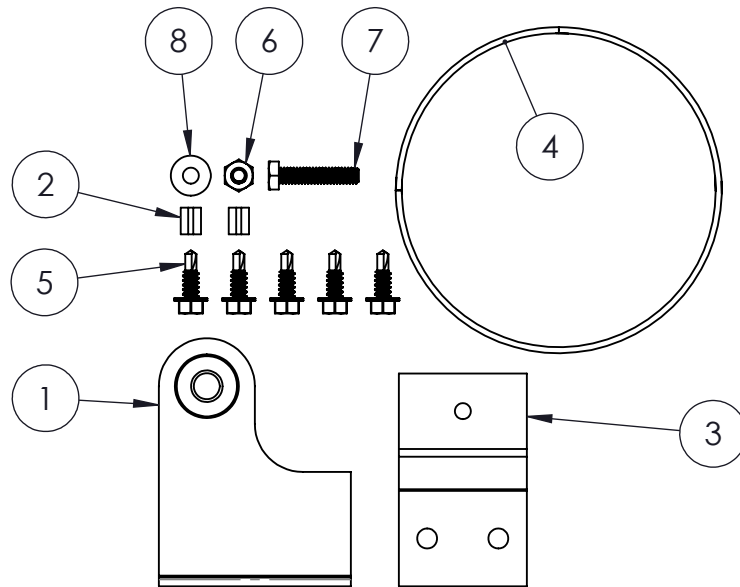
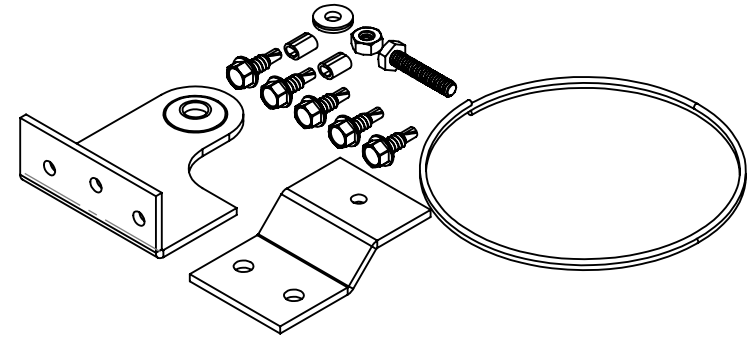


NOTES:

MATERIAL		SHEET 1 OF 1		<b>ACTIVAR</b> <small>CONSTRUCTION PRODUCTS GROUP, INC.</small> TITLE: TWO POINT LATCH REPLACEMENT KIT - PARTS
FINISH		UNLESS OTHERWISE SPECIFIED: DIMENSIONS ARE IN INCHES		
CREATED	NAME	DATE	TOLERANCES:	
CHECKED	BLR	5/26/2023	ANGULAR: BEND $\pm 1^\circ$ .XX $\pm .020$ .XXX $\pm .015$ HOLES $\pm .005$	
<small>CONFIDENTIALITY STATEMENT          PROPRIETARY AND CONFIDENTIAL. THE INFORMATION CONTAINED IN THIS DRAWING IS THE SOLE PROPERTY OF ACTIVAR CONSTRUCTION PRODUCTS GROUP, INC. ANY REPRODUCTION IN PART OR AS A WHOLE WITHOUT THE WRITTEN PERMISSION OF ACTIVAR CONSTRUCTION PRODUCTS GROUP, INC. IS PROHIBITED. COPYRIGHT 2017 ACTIVAR CONSTRUCTION PRODUCTS GROUP, INC.</small>		DO NOT SCALE DRAWING		<small>INTERPRET GEOMETRIC TOLERANCING PER:</small> ASME Y 14.5 M-1994 SCALE: 1:4
		 THIRD ANGLE		SIZE DWG. NO. <b>A DR-KIT-2PL-P</b>

ITEM NO.	PART NUMBER	DESCRIPTION	QTY.
1	43069	BRACKET, LEFT, HOLD OPEN ARM, PRESSURE INTENSIFIER	1
2	42291	CABLE CRIMP, 3/32 WIRE DIA, COPPER	2
3	42403	SAFETY CABLE CLIP	1
4	42287-24-COIL	3/32 CABLE, 7X7 GALVANIZED - 24" LONG	1
5	1FSE-XHH-0B140D-DS	SCREW, 1/4 X 3/4, HEX, SELF DRILLING	5
6	1FNE-XHH-0B20-G2SL	NUT, 1/4-20, HEX	1
7	1FSE-XHH-0B201B-G5SM	SCREW, 1/4-20 X 1-1/2, HEX	1
8	1FWA-SMN-0B0H	WASHER, 1/4, SEALING NEOPRENE	1


REVISIONS					
REV	ECO	DESCRIPTION	REV. DATE	REV. BY	REV. CHECKED BY
B	1608	HW UPDATE	10/09/2023	AJV	BLR



Distributed by  
[www.AmeraProducts.com](http://www.AmeraProducts.com)  
 Phone: (800) 608-6548  
 Fax: (409) 840-5542  
[info@ameraproducts.com](mailto:info@ameraproducts.com)



NOTES:

MATERIAL			SHEET 1 OF 2	 CONSTRUCTION PRODUCTS GROUP INC. TITLE: STOP CABLE REPLACEMENT KIT
FINISH			UNLESS OTHERWISE SPECIFIED: DIMENSIONS ARE IN INCHES TOLERANCES: ANGULAR: BEND $\pm 1^\circ$ .XX $\pm .020$ .XXX $\pm .015$ HOLES $\pm .005$	
CREATED	NAME AJV	DATE 08/12/2022	INTERPRET GEOMETRIC TOLERANCING PER: ASME Y 14.5 M-1994 SCALE: 1:3	
CHECKED	BLR	8/12/2022	SCALE: 1:3	
<small>CONFIDENTIALITY STATEMENT        PROPRIETARY AND CONFIDENTIAL. THE INFORMATION        CONTAINED IN THIS DRAWING IS THE SOLE PROPERTY        OF ACTIVAR CONSTRUCTION PRODUCTS GROUP, INC.        ANY REPRODUCTION IN PART OR AS A WHOLE        WITHOUT THE WRITTEN PERMISSION OF ACTIVAR        CONSTRUCTION PRODUCTS GROUP, INC. IS        PROHIBITED.        COPYRIGHT 2017 ACTIVAR CONSTRUCTION PRODUCTS        GROUP, INC.</small>			DO NOT SCALE DRAWING	SIZE DWG. NO. A DR-KIT-SC
			THIRD ANGLE	

8

7

6

5

4

3

2

1

F

E

D

C

B

A

F

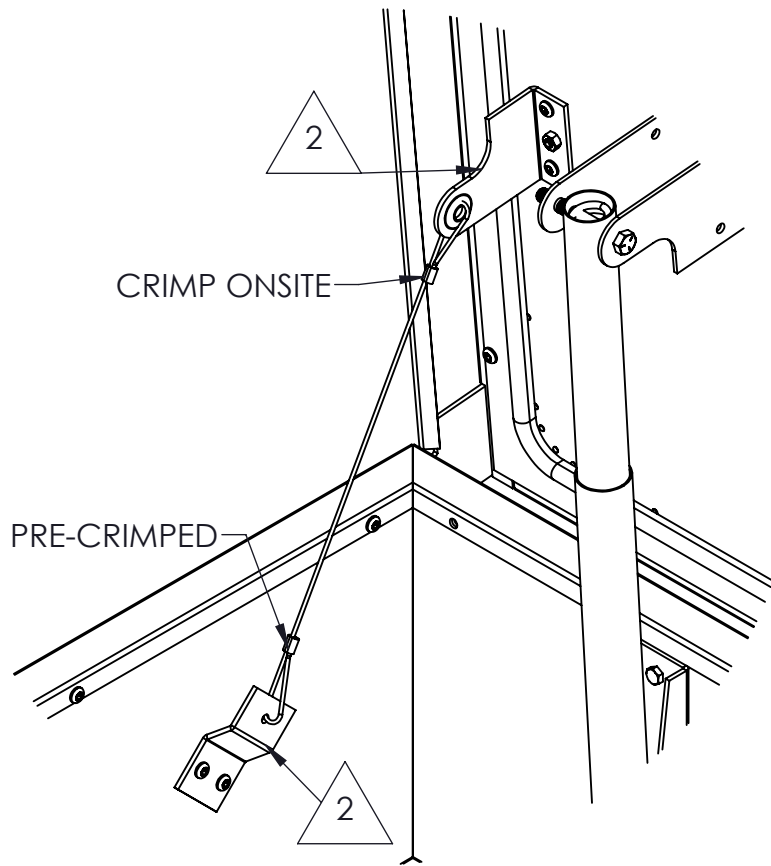
E

D

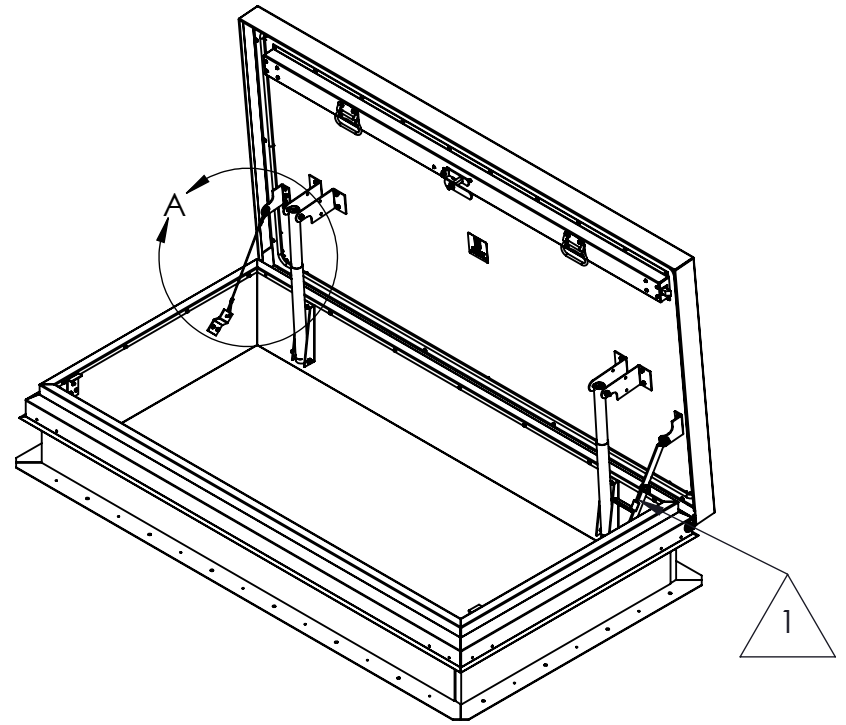
C

B

A



DETAIL A  
SCALE 1 : 5




1. OPEN UNIT DOOR AND LOCK HOLD OPEN ARM IN PLACE.
2. REPLACE OLD BRACKETS WITH NEW BRACKETS AND HARDWARE.
3. INSERT CABLE CRIMP ONTO CABLE.
4. FEED CABLE THROUGH TOP BRACKET AND PULL TILL THERE IS SLIGHT TENSION.
  1. VISUALLY VERIFY THE DOOR IS NOT LOPSIDED ON EITHER END OF THE DOOR. ADJUST CABLE TENSION AS NECESSARY.
  2. DO NOT PULL CABLE CRIMP THROUGH TOP BRACKET.
5. FEED END OF CABLE BACK THROUGH CABLE CRIMP.
6. CRIMP CABLE CRIMP WITH PLIERS OR OTHER ACCEPTABLE TOOL.



Distributed by  
[www.Ameraproducts.com](http://www.Ameraproducts.com)  
 Phone: (800) 608-6548  
 Fax: (409) 840-3542  
[info@ameraproducts.com](mailto:info@ameraproducts.com)

NOTES:

MATERIAL		SHEET 2 OF 2		 <small>CONSTRUCTION PRODUCTS GROUP INC.</small> TITLE:
FINISH		UNLESS OTHERWISE SPECIFIED: DIMENSIONS ARE IN INCHES		
CREATED	NAME	DATE	TOLERANCES:	
BLR	AJV	08/12/2022	ANGULAR: BEND ±1°	
CHECKED	BLR	8/12/2022	.XX ±.020	
CONFIDENTIALITY STATEMENT <small>PROPRIETARY AND CONFIDENTIAL THE INFORMATION CONTAINED IN THIS DRAWING IS THE SOLE PROPERTY OF ACTIVAR CONSTRUCTION PRODUCTS GROUP, INC. ANY REPRODUCTION IN PART OR AS A WHOLE WITHOUT THE WRITTEN PERMISSION OF ACTIVAR CONSTRUCTION PRODUCTS GROUP, INC. IS PROHIBITED.        COPYRIGHT 2017 ACTIVAR CONSTRUCTION PRODUCTS GROUP, INC.</small>		DO NOT SCALE DRAWING	HOLES ±.005	
THIRD ANGLE		INTERPRET GEOMETRIC TOLERANCING PER: ASME Y 14.5 M-1994		STOP CABLE REPLACEMENT KIT
SCALE: 1:24		SIZE DWG. NO.		A DR-KIT-SC

8

7

6

5

4

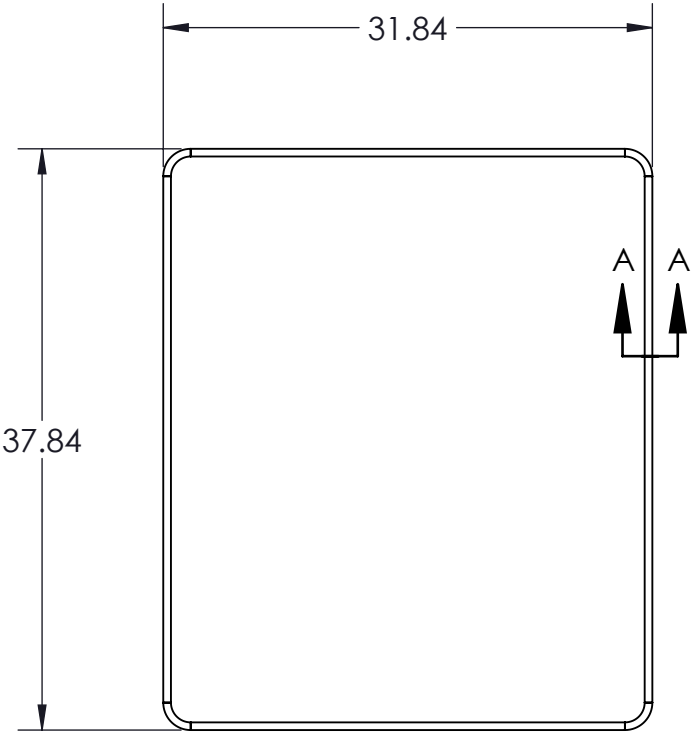
3

2

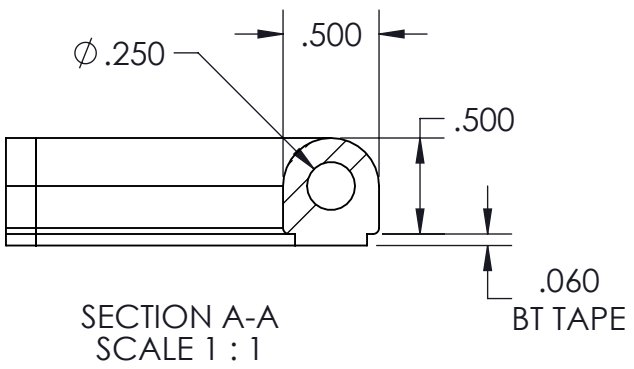
1

8 7 6 5 4 3 2 1

REVISIONS					
REV	ECO	DESCRIPTION	REV. DATE	REV. BY	REV. CHECKED BY
A		NEW RELEASE			



TOTAL LENGTH = 134.73"



Distributed by  
[www.Ameraproducts.com](http://www.Ameraproducts.com)  
 Phone: (800) 608-6548  
 Fax: (409) 840-9542  
[info@ameraproducts.com](mailto:info@ameraproducts.com)



NOTES: 1. USE ISOPROPOL ALCOHOL WIPE ON LINER BEFORE INSTALLING.

MATERIAL	EPDM (GASKET)		SHEET 1 OF 1 UNLESS OTHERWISE SPECIFIED: DIMENSIONS ARE IN INCHES	
FINISH	BLACK			
CREATED	NAME	DATE	TOLERANCES: ANGULAR: BEND $\pm 1^\circ$ .XX $\pm .020$ .XXX $\pm .015$ HOLES $\pm .005$	TITLE: ROOF HATCH RH-SERIES GASKET EPDM RUBBER .5X.5 D PROFILE BLACK
CHECKED	DW	5/24/2018		
	JHL	5/24/2018	INTERPRET GEOMETRIC TOLERANCING PER: ASME Y 14.5 M-1994 SCALE: 1:12.5	SIZE DWG. NO. <b>A 0500002-3630</b>
CONFIDENTIALITY STATEMENT PROPRIETARY AND CONFIDENTIAL. THE INFORMATION CONTAINED IN THIS DRAWING IS THE SOLE PROPERTY OF ACTIVAR CONSTRUCTION PRODUCTS GROUP, INC. ANY REPRODUCTION IN PART OR AS A WHOLE WITHOUT THE WRITTEN PERMISSION OF ACTIVAR CONSTRUCTION PRODUCTS GROUP, INC. IS PROHIBITED. COPYRIGHT 2017 ACTIVAR CONSTRUCTION PRODUCTS GROUP, INC.			DO NOT SCALE DRAWING THIRD ANGLE	

8 7 6 5 4 3 2 1