



SUBMITTAL: SCHOOL FIRE EXTINGUISHER CABINETS

JL School Cabinets for fire extinguishers are constructed of heavy duty materials for rough duty applications. Recessed models meet ADA corridor projection requirements.

Door & Trim Construction: 12 gauge steel with white powder-coat paint finish or 14 gauge #4 stainless steel door . Flush cabinet doors are mounted in a 5/8" door stop and attached by a heavy-duty continuous hinge and equipped with a zinc-plated handle and roller catch. Door has tempered glass front and 1-1/2" face trim.

Tub: The double tub is constructed of 16 gauge cold rolled steel with white powder-coat finish standard. Heavy duty masonry anchors welded to frame on all recessed cabinets. Face trim on frame is 1".

Trim Style & Depth: *Recessed* - 1" wide flat trim. *Semi-Recessed* - 2-1/2" square edge. *Surface-Mount*—square edge. Face trim on frame is 1" wide.



CS2015F17

STEP 1: SELECT MODEL NUMBER AND QUANTITY ON CHART

STEP 2: SELECT DOOR STYLE WITH HANDLE

Check one box below

- F** Full Glazing
- G** Full Glazing with SAF-T-LOK™
- D** Horizontal Duo Panel
- E** Horizontal Dual Panel with SAF-T-LOK™
- S21** Solid Door
- L22** Solid with SAF-T-LOK™
- V** Vertical Duo
- W** Vertical Duo with SAF-T-LOK™

STEP 3: SELECT DOOR GLAZING

Check one box below

- 10** Clear Acrylic
- Polycarbonate
- 17** Clear Tempered Glass
- 18** Laminated Safety Glass


| QTY | TRIM & DOOR MATERIAL & SERIES | | TUB I.D. W x H x D in Inches | | | FRAME O.D. W x H in Inches | | WALL OPENING FIRE RATED FX OPTION | | | SHIP WT* | RECOMMENDED EXTINGUISHER |
|-----|-------------------------------|--------------------|------------------------------|--------|-------|----------------------------|--------|-----------------------------------|----|-------|----------|--|
| | STEEL | TRIM STYLE | A | B | C | E | F | W | H | D | LBS | Link to Extinguishers |
| | CS2015F17 | Flat Trim | 12 | 27 | 7-3/4 | 14 | 29 | 13 | 28 | 8 | 33 | Any Cosmic, Galaxy, Mercury, Saturn & Grenadier P, Sentinel 5-10 |
| | CS2017F17 | 2-1/2" Square Edge | 12 | 27 | 7-3/4 | 14 | 29 | 13 | 28 | 5-1/2 | 34 | |
| | CS2013F17 | Surface-Mounted | 14-3/8 | 29-3/8 | 7-7/8 | 14-1/2 | 29-1/2 | — | — | — | 34 | |

STEP 4: OPTIONAL FEATURES AT ADDED COST (SELECT ANY)

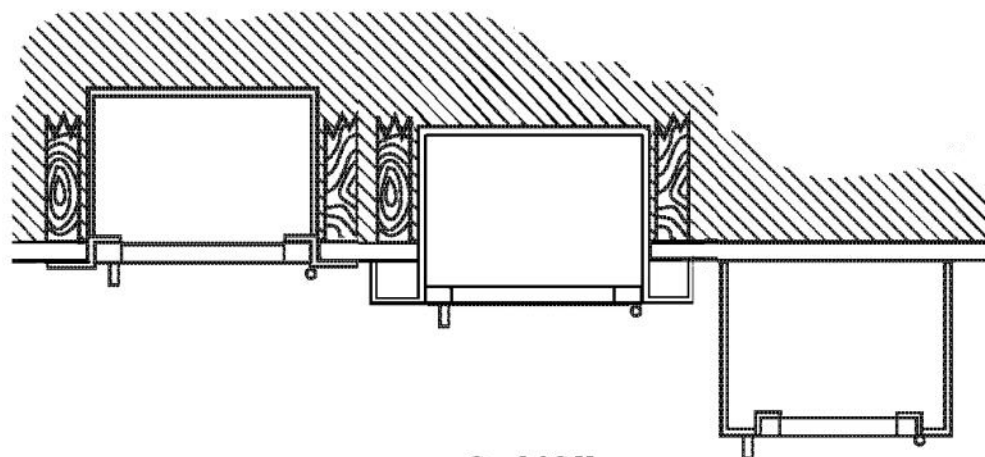
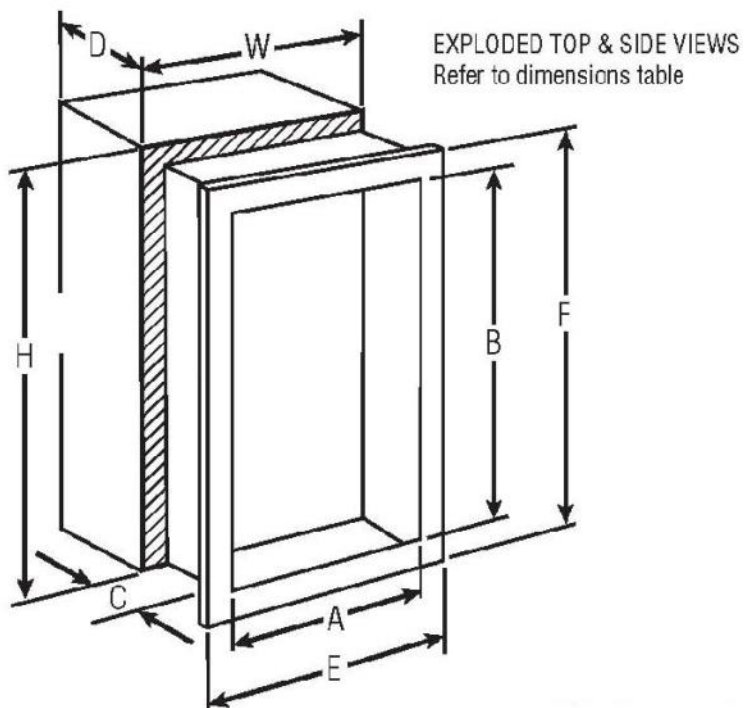
- Optional Tub Color: ___ Black ___ Red
- Futura "Fire" Pull ___ Mill Alum ___ Red ___ White
- ADAC Flush Pull Handle
- Red Powder Coat Finish
- Black Powder Coat Finish
- 14 Gauge Stainless Steel Door & 16 Gauge SS Tub
- Black Vertical FE Letters **LDCVBFE**
- Red Vertical FE Letters **LDCVRFE**
- White Vertical FE Letters **LDCVWFE**
- Black Horizontal FE Letters **LDCHBFE**
- Red Horizontal FE Letters **LDCHRFE**
- White Horizontal FE Letters **LDCHWFE**
- Black Vertical Decal **LDVBFE**
- Red Vertical Decal **LDVRFE**
- White Vertical Decal **LDVWFE**
- Black Horizontal Decal **LDHBF**
- Red Horizontal Decal **LDHRFE**
- White Horizontal Decal **LDHWFE**

For More Information on Options See : [Decals & Die Cuts](#) & Wall Signs, [Handles & Pulls](#).

Models Shown in **Blue** meet the 4" ADA projection requirement.
* Weights are approximate

| | | |
|--|--------------|--------------|
|  <p>ACTIVAR INC. CONSTRUCTION PRODUCTS GROUP</p> <p>THE ABOVE NAMES ARE TRADEMARKS OF ACPG PLEASE DOWNLOAD MOST CURRENT SUBMITTAL FROM WEBSITE BEFORE ORDERING</p> | Distributor: | Quantity: |
| | Contractor: | Approved By: |
| | Model #: | Architect: |
| | Project: | Date: |
| HEADQUARTERS: 9702 NEWTON AV S, BLOOMINGTON, MN 55431 MANUFACTURING: BLOOMINGTON MN & COMMERCE, CA • WARE HOUSES: FT MYERS FL, ATLANTA GA, DALLAS TX, SEATTLE WA, LANCASTER PA, FARGO ND, OMAHA NE 9/19/2018 | | |

SUBMITTAL: SCHOOL FIRE EXTINGUISHER CABINETS



2-1/2"
Flat Trim Square Trim Square Edge Surface Mt.



CS2017F17



CS20137F17

