

ITEM NO.	PART NUMBER	DESCRIPTION
1	DR-KIT-PI-9	PI: 9" PRESSURE INTENSIFIER WITH BRACKET
2	DR-KIT-PI-15	PI: 15" PRESSURE INTENSIFIER WITH BRACKET
3	DR-KIT-HOA	HOA: HOLD OPEN ARM WITH BRACKET
4	DR-KIT-1PTLATCH	OPL: ONE POINT LATCH ASSEMBLY WITH STRIKE PLATE
5	DR-KIT-2PTLATCH	TPL: TWO POINT LATCH ASSEMBLY WITH STRIKE PLATE
6	DR-KIT-GSKT-XXFT	REPLACEMENT GASKET FOR --X--

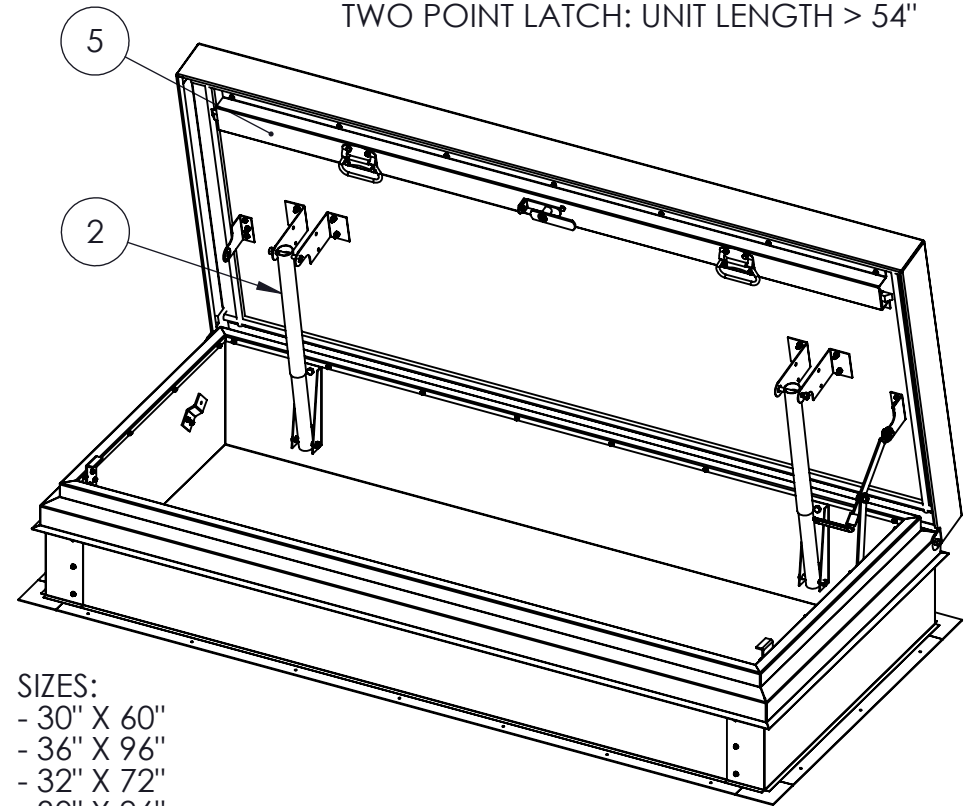
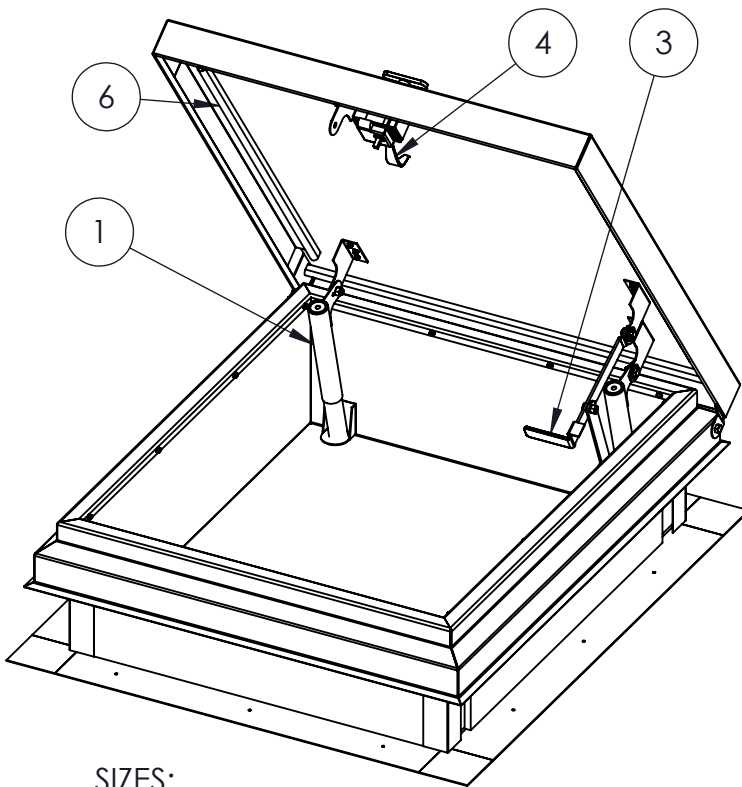
REVISIONS					
REV	ECO	DESCRIPTION	REV. DATE	REV. BY	REV. CHECKED BY
A		INITIAL RELEASE			

RULES:
 9" PRESSURE INTENSIFIER:
 UNIT SIZE <= 42" X 36"

15" PRESSURE INTENSIFIER:
 UNIT SIZE > 42" X 36"
 OR UNIT SIZE >= 30" X 48"

ONE POINT LATCH: UNIT LENGTH <= 54"

TWO POINT LATCH: UNIT LENGTH > 54"



SIZES:
 - 36" X 30"
 - 36" X 36"
 - 37" X 30"
 - 48" X 48"
 - 30" X 54"

SIZES:
 - 30" X 60"
 - 36" X 96"
 - 32" X 72"
 - 30" X 96"

Distributed by
www.AmeraProducts.com
 Phone: (800) 608-6548
 Fax: (409) 840-5541
info@ameraproducts.com

MATERIAL		
FINISH		
CREATED	NAME: BLR	DATE: 12/30/2021
CHECKED	AJV	12/30/2021
<small>CONFIDENTIALITY STATEMENT PROPRIETARY AND CONFIDENTIAL. THE INFORMATION CONTAINED IN THIS DRAWING IS THE SOLE PROPERTY OF ACTIVAR CONSTRUCTION PRODUCTS GROUP, INC. ANY REPRODUCTION IN PART OR AS A WHOLE WITHOUT THE WRITTEN PERMISSION OF ACTIVAR CONSTRUCTION PRODUCTS GROUP, INC. IS PROHIBITED. COPYRIGHT 2017 ACTIVAR CONSTRUCTION PRODUCTS GROUP, INC.</small>		
DO NOT SCALE DRAWING		

SHEET 1 OF 1
 UNLESS OTHERWISE SPECIFIED:
 DIMENSIONS ARE IN INCHES
TOLERANCES:
 ANGULAR: BEND ±1°
 .XX ±.020
 .XXX ±.015
 HOLES ±.005
 INTERPRET GEOMETRIC TOLERANCING PER:
 ASME Y 14.5 M-1994
 SCALE: 1:18

ACTIVAR
CONSTRUCTION PRODUCTS GROUP, INC.
 TITLE: ROOF HATCH KIT

SIZE DWG. NO.
A RHU-KIT

NOTES: