

DURA-HATCH™ SERIES ROOF HATCH (RHU)

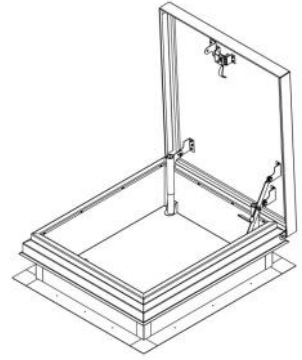
INSTALLATION AND MAINTENANCE GUIDE | 14I-411

GENERAL:

Roof hatches are designed for safe and easy access to rooftops using interior ladders and stairways. The following guide suggests recommendations; please install according to local building codes. For fixed vertical ladders, position roof hatch so the hinged side is opposite of the ladder at the back side of the climber. For stairways, position the roof hatch so the hold-open arm is at the head of the stairway. The hinged side runs parallel to the stairway.

When mounting roof hatch on pitched roofs up to 7:12, mount hinge side parallel to slope.

Caution: Roof hatch cover is spring loaded. Make sure hatch is in horizontal position prior to opening cover.



Dura-Hatches come standard with a prime coat finish, so an additional topcoat is recommended for long term corrosion protection using the following procedure: Clean the primed substrate to remove any surface contamination. Use a solvent wipe such as acetone, as needed to help open up and soften the surface. Use a high-quality topcoat paint suitable for metal, including a wide range of compatible enamel and latex coatings.

INSTALLATION:

1. Prepare opening through roof deck of width and length as specified by details on submittal drawing. The roof opening size is equal to the roof hatch size, which is measured inside curb to inside curb. • A ladder access roof hatch that measures 36" width (hinge to latch) x 30" length (hinge side), will have a roof rough opening of 36"x30".
2. Opening must be positioned so as to not impair structural integrity of roof. Supporting structure must withstand lateral and thermal stresses as well as load pressures. Opening must be positioned so as to not impair structural integrity of roof. Supporting structure must withstand lateral and thermal stresses as well as load pressures.
3. Check that the frame rests flat on plane and is not twisted or uneven. Shim if required, to ensure proper operation.
4. Secure the curb flange to steel angle or other framed opening in the roof using fasteners (by others) through the 0.19" mounting holes provided in the base flange. Recommended fasteners are #10 screws, when securing to a wood frame. For larger bolts, drill larger mounting holes through the metal flange.
5. Complete the roofing installation in accordance with local building codes and accepted roofing industry practices.
6. Remove steel safety bands from door sides.

CAUTION: Doors are spring loaded and may pop open, if latches moved during shipping. See strap location on photo at right.



DUR-RED PRODUCTS

9702 Newton Av S. Bloomington, MN 55431



INSTALLATION AND MAINTENANCE GUIDE

14I-411

Page 1 of 2

DURA-HATCH™ SERIES ROOF HATCH (RHU)

INSTALLATION AND MAINTENANCE GUIDE | 14I-411

OPERATION:

Caution: Make sure to consider weather conditions prior to using the roof hatch. Use caution at all times, especially when hatch cover is open.

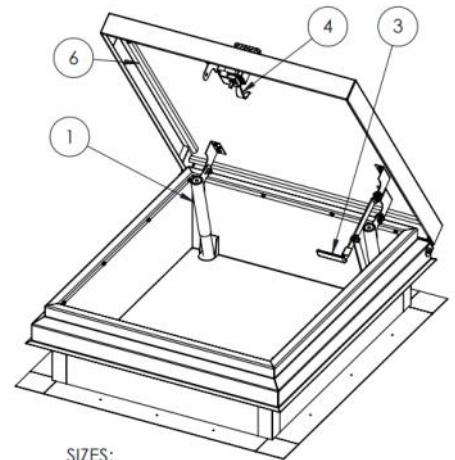
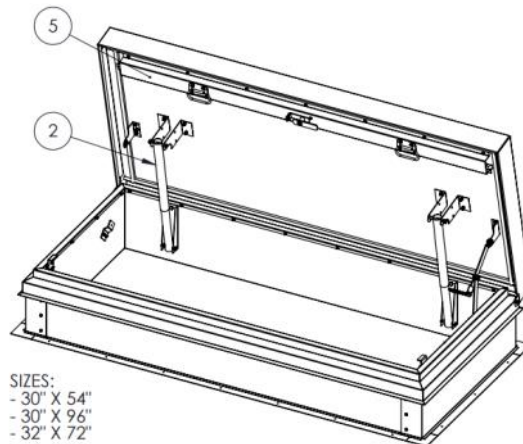
1. Opening from below: Turn slam latch handle and, with one hand, raise cover to full open position while maintaining three points of contact with the ladder.
2. Closing from below: With door open fully open, descend ladder or stair to a position where your head is at the curb level. With one hand, grasp the red vinyl grip handle on the hold open arm and pull forward to disengage. Then, grasp the pull handle to fully close the cover, making sure slam latch engages the catch.
3. Opening from above: Rotate the exterior L turn handle and raise cover to full open position.
4. Closing from above: Grasp red vinyl grip of the hold open arm and pull to disengage, then push on the handle or edge of the cover to fully close and latch door

MAINTENANCE:

1. Manually operate once a year to check functionality of moving parts such as latches, hinges and turn handles.
2. Test outside and inside manual operation of latches. Rotate exterior handle from exterior to release slam latch and open door. From inside, rotate the slam latch lever. Adjust (if required) latch keepers to insure full secure latching in closed position.
3. Periodically clean latches and strikes of old grease and dirt using a clean dry cloth. Reapply lubrication as needed.

REPLACEMENT PARTS:

NO	PART NUMBER	DESCRIPTION
1	DR-KIT-PI-9	PI: 9" Pressure Intensifier
2	DR-KIT-PI-15	PI: 15" Pressure Intensifier
3	DR-KIT-HOA	HOA: Hold Open Arm
4	DR-KIT-1PTLATCH	OPL: One Point Latch
5	DR-KIT-2PTLATCH	TPL: Two Point Latch
6	DR-KIT-GSKT-xx	Lid Gasket, xx Feet



SIZES:
 - 36" X 30"
 - 36" X 36"
 - 37" X 30"
 - 48" X 48"



DUR-RED PRODUCTS

9702 Newton Av S. Bloomington, MN 55431



INSTALLATION AND MAINTENANCE GUIDE

14I-411

Page 2 of 2