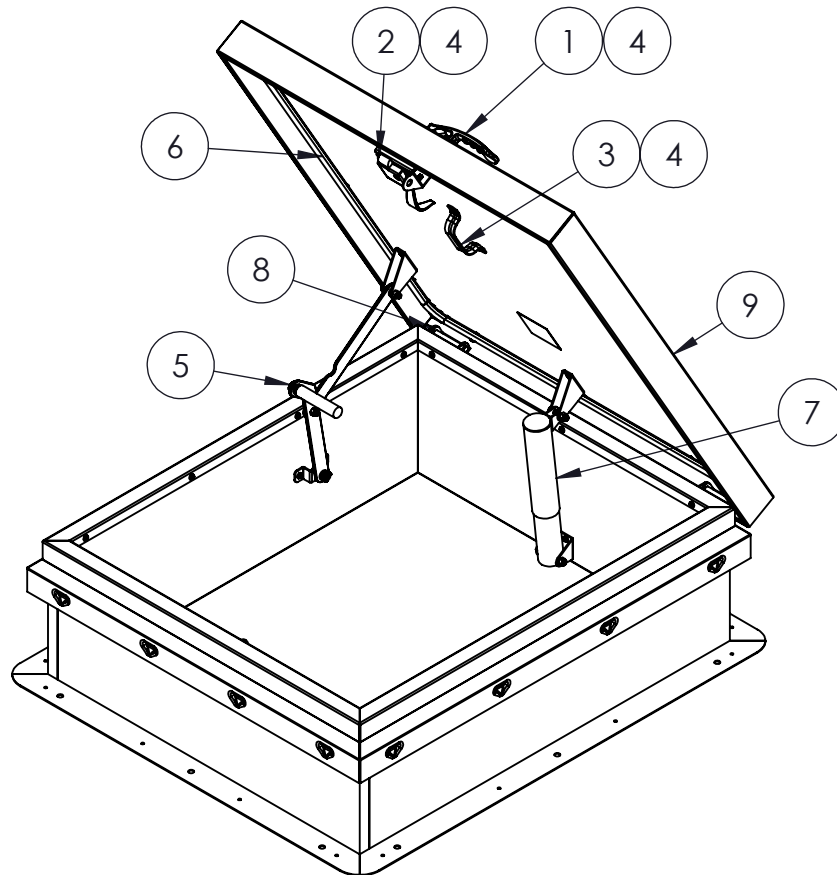


ITEM NO.	PART NUMBER	DESCRIPTION
1	RHD-KIT-LHANDLE	KIT, ROOF HATCH, L HANDLE
2	RHD-KIT-LATCH	KIT, ROOF HATCH, SLAM LATCH
3	RHD-KIT-PULL	KIT, ROOF HATCH, PULL HANDLE
4	RHD-KIT-LATCH-FULL	KIT, ROOF HATCH, LATCH ALL L HANDLE, SLAM LATCH, PULL HANDLE
5	RHD-KIT-HOA	KIT, ROOF HATCH, HOLD OPEN ARM
6	RHD-KIT-GSKT-15FT	KIT, ROOF HATCH, GASKET 15FT, FOR 36X30
7	RHD-KIT-SPR-G1	KIT, ROOF HATCH, SPRING ASSEMBLY STEEL 36X30
8	RHD-KIT-HINGES	KIT, ROOF HATCH, HINGES 2
9	RHD-KIT-LID-G1	KIT, ROOF HATCH, 36X30 STEEL, WHITE TEXTURE
10	P13WTEX-MC-SPRAY	SPRAY PAINT WHITE TEXTURED

REVISIONS					
REV	ECO	DESCRIPTION	REV. DATE	REV. BY	REV. CHECKED BY
1		NEW RELEASE			



NOTES:

Distributed by
www.Ameraproducts.com
 Phone: (800) 608-6548
 Fax: (409) 840-5042
info@ameraproducts.com

MATERIAL			SHEET 1 OF 8
FINISH			UNLESS OTHERWISE SPECIFIED: DIMENSIONS ARE IN INCHES
CREATED	NAME JHL	DATE 01/05/2018	TOLERANCES: ANGULAR: BEND $\pm 1^\circ$.XX $\pm .020$.XXX $\pm .015$ HOLES $\pm .005$
CHECKED	AGA	1/5/2018	INTERPRET GEOMETRIC TOLERANCING PER: ASME Y 14.5 M-1994
<small>CONFIDENTIALITY STATEMENT PROPRIETARY AND CONFIDENTIAL. THE INFORMATION CONTAINED IN THIS DRAWING IS THE SOLE PROPERTY OF ACTIVAR CONSTRUCTION PRODUCTS GROUP, INC. ANY REPRODUCTION IN PART OR AS A WHOLE WITHOUT THE WRITTEN PERMISSION OF ACTIVAR CONSTRUCTION PRODUCTS GROUP, INC. IS PROHIBITED. COPYRIGHT 2017 ACTIVAR CONSTRUCTION PRODUCTS GROUP, INC.</small>			DO NOT SCALE DRAWING THIRD ANGLE SCALE: 1:14
<small>SIZE DWG. NO. A RHD-KIT-PARTS</small>			<small>TITLE: ROOF HATCH RH-SERIES KIT, ROOF HATCH</small>

8

7

6

5

4

3

2

1

F

F

E

E

D

D

C

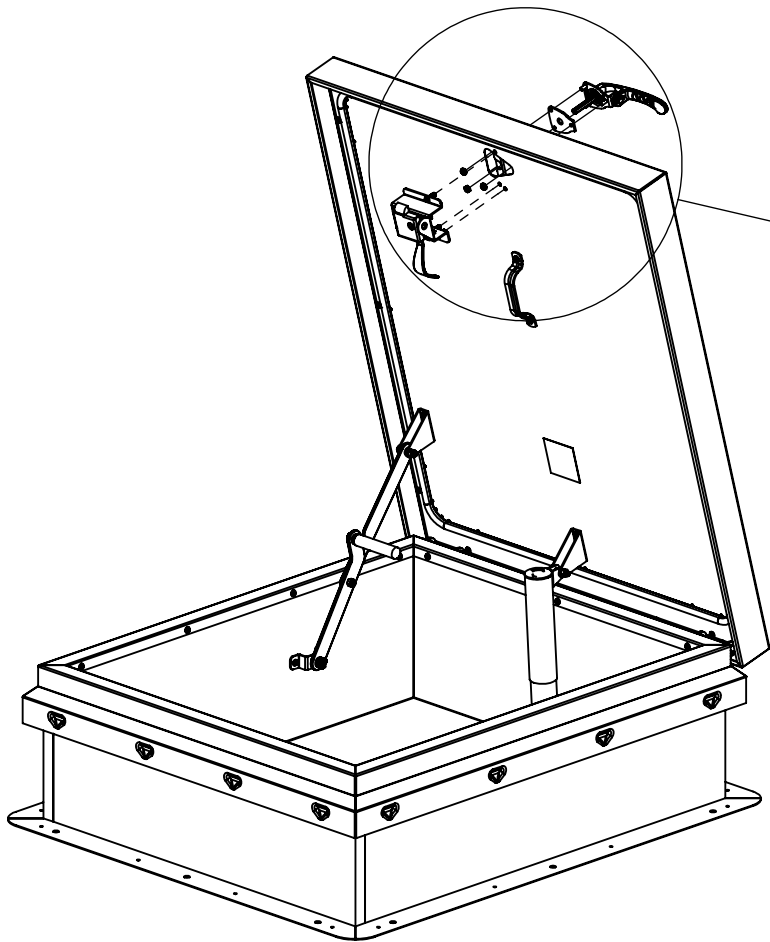
C

B

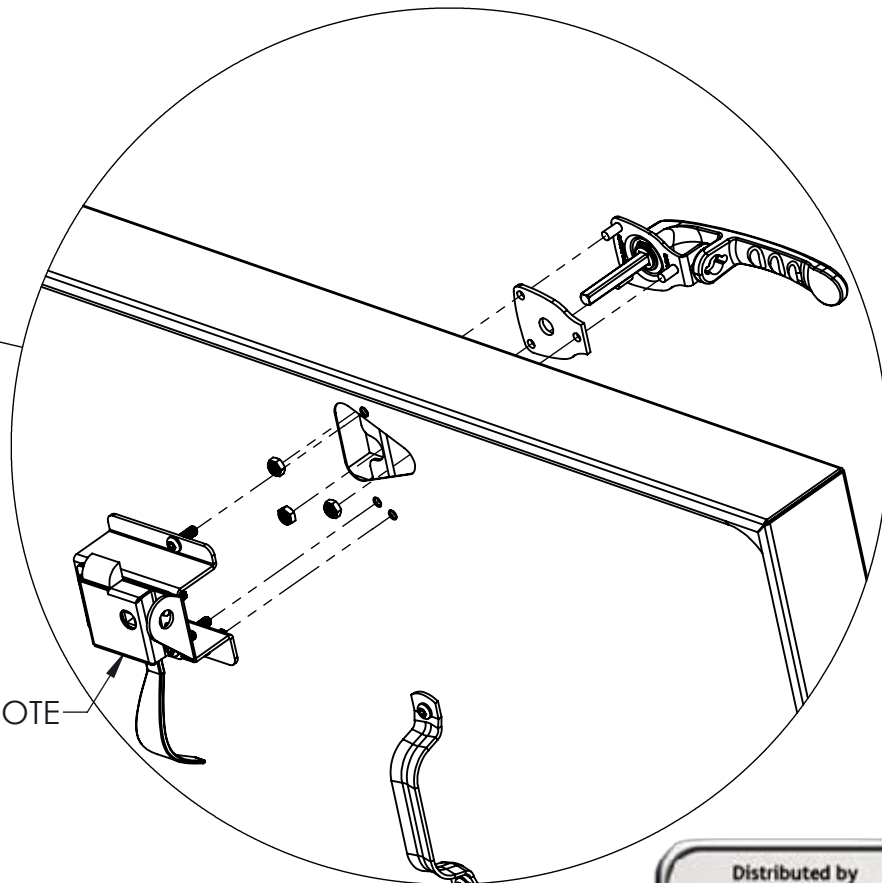
B

A

A



SEE NOTE



DETAIL A
SCALE 1 : 5

Distributed by
www.AmeraProducts.com
 Phone: (800) 608-6548
 Fax: (409) 840-5942
info@ameraproducts.com

NOTES: 1. SLAM LATCH AND BRACKET HAVE TO BE REMOVED TO REPLACE L-HANDLE.

MATERIAL		SHEET 2 OF 8		UNLESS OTHERWISE SPECIFIED: DIMENSIONS ARE IN INCHES	
FINISH		DATE			
CREATED	JHL	01/05/2018	TOLERANCES:		
CHECKED	AGA	1/5/2018	ANGULAR: BEND ± 1°		
<small>CONFIDENTIALITY STATEMENT PROPRIETARY AND CONFIDENTIAL THE INFORMATION CONTAINED IN THIS DRAWING IS THE SOLE PROPERTY OF ACTIVAR CONSTRUCTION PRODUCTS GROUP, INC. ANY REPRODUCTION IN PART OR AS A WHOLE WITHOUT THE WRITTEN PERMISSION OF ACTIVAR CONSTRUCTION PRODUCTS GROUP, INC. IS PROHIBITED. COPYRIGHT 2017 ACTIVAR CONSTRUCTION PRODUCTS GROUP, INC.</small>			DO NOT SCALE DRAWING		<small>INTERPRET GEOMETRIC TOLERANCING PER: ASME Y 14.5 M-1994</small>
			 THIRD ANGLE		
TITLE:		SCALE: 1:14			
SIZE DWG. NO.		A RHD-KIT-PARTS		ROOF HATCH RH-SERIES KIT, ROOF HATCH	

8

7

6

5

4

3

2

1

8

7

6

5

4

3

2

1

F

E

D

C

B

A

F

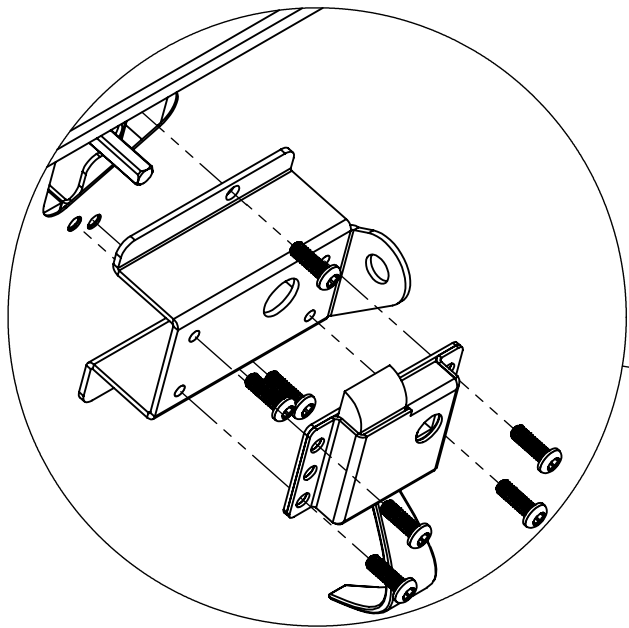
E

D

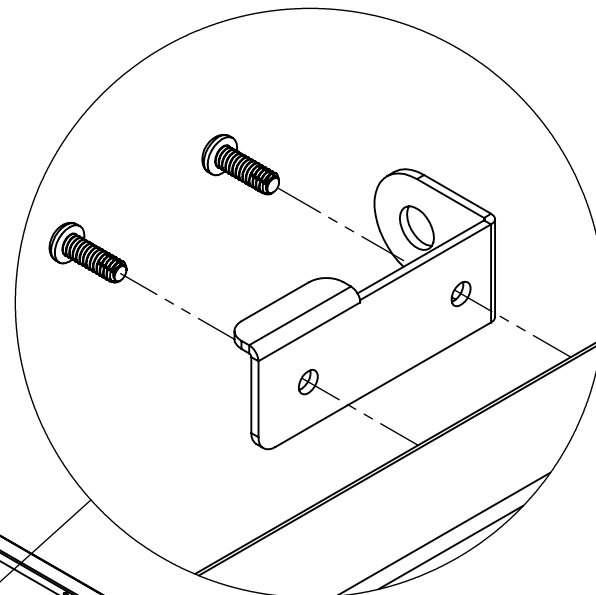
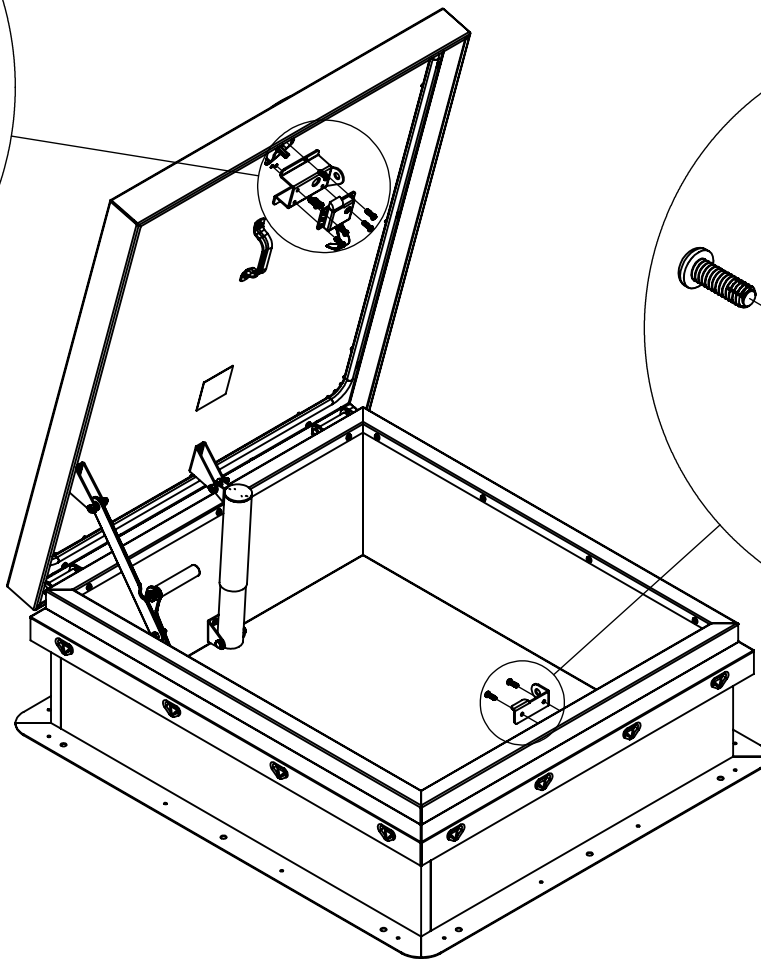
C

B

A



DETAIL B
SCALE 1 : 3



DETAIL C
SCALE 1 : 2

Distributed by
www.Ameraproducts.com
 Phone: (800) 608-6548
 Fax: (409) 840-5942
info@ameraproducts.com

NOTES:

MATERIAL		SHEET 3 OF 8		
FINISH		UNLESS OTHERWISE SPECIFIED: DIMENSIONS ARE IN INCHES		
CREATED	NAME JHL	DATE 01/05/2018	TOLERANCES:	TITLE: ROOF HATCH RH-SERIES KIT, ROOF HATCH
CHECKED	AGA	1/5/2018	ANGULAR: BEND $\pm 1^\circ$.XX $\pm .020$.XXX $\pm .015$ HOLES $\pm .005$	
<small>CONFIDENTIALITY STATEMENT PROPRIETARY AND CONFIDENTIAL THE INFORMATION CONTAINED IN THIS DRAWING IS THE SOLE PROPERTY OF ACTIVAR CONSTRUCTION PRODUCTS GROUP, INC. ANY REPRODUCTION IN PART OR AS A WHOLE WITHOUT THE WRITTEN PERMISSION OF ACTIVAR CONSTRUCTION PRODUCTS GROUP, INC. IS PROHIBITED. COPYRIGHT 2017 ACTIVAR CONSTRUCTION PRODUCTS GROUP, INC.</small>			DO NOT SCALE DRAWING 	INTERPRET GEOMETRIC TOLERANCING PER: ASME Y 14.5 M-1994 SCALE: 1:14
SIZE DWG. NO. A RHD-KIT-PARTS				

8

7

6

5

4

3

2

1

8

7

6

5

4

3

2

1

F

F

E

E

D

D

C

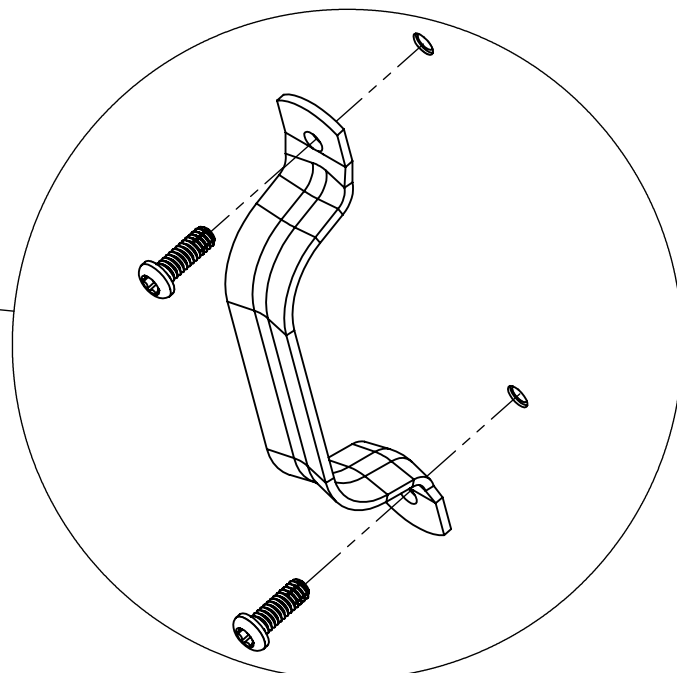
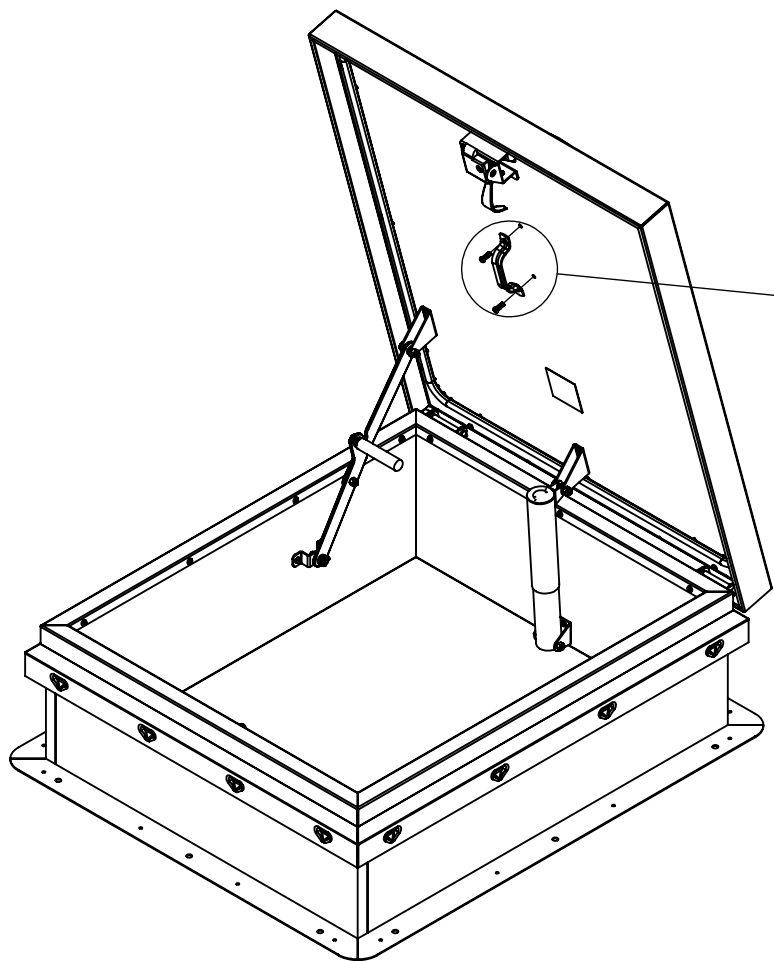
C

B

B

A

A



DETAIL D
SCALE 1 : 2

Distributed by
www.Ameraproducts.com
 Phone: (800) 608-6548
 Fax: (409) 840-5941
info@ameraproducts.com

NOTES:

MATERIAL		SHEET 4 OF 8		
FINISH		UNLESS OTHERWISE SPECIFIED: DIMENSIONS ARE IN INCHES		
CREATED	NAME JHL	DATE 01/05/2018	TOLERANCES: ANGULAR: BEND $\pm 1^\circ$.XX $\pm .020$.XXX $\pm .015$ HOLES $\pm .005$	
CHECKED	AGA	1/5/2018	<small>CONFIDENTIALITY STATEMENT PROPRIETARY AND CONFIDENTIAL THE INFORMATION CONTAINED IN THIS DRAWING IS THE SOLE PROPERTY OF ACTIVAR CONSTRUCTION PRODUCTS GROUP, INC. ANY REPRODUCTION IN PART OR AS A WHOLE WITHOUT THE WRITTEN PERMISSION OF ACTIVAR CONSTRUCTION PRODUCTS GROUP, INC. IS PROHIBITED. COPYRIGHT 2017 ACTIVAR CONSTRUCTION PRODUCTS GROUP, INC.</small>	
		DO NOT SCALE DRAWING		
		<small>INTERPRET GEOMETRIC TOLERANCING PER: ASME Y 14.5 M-1994</small>		
		SCALE: 1:14		TITLE: ROOF HATCH RH-SERIES KIT, ROOF HATCH
		SIZE DWG. NO.		A RHD-KIT-PARTS

8

7

6

5

4

3

2

1

8

7

6

5

4

3

2

1

F

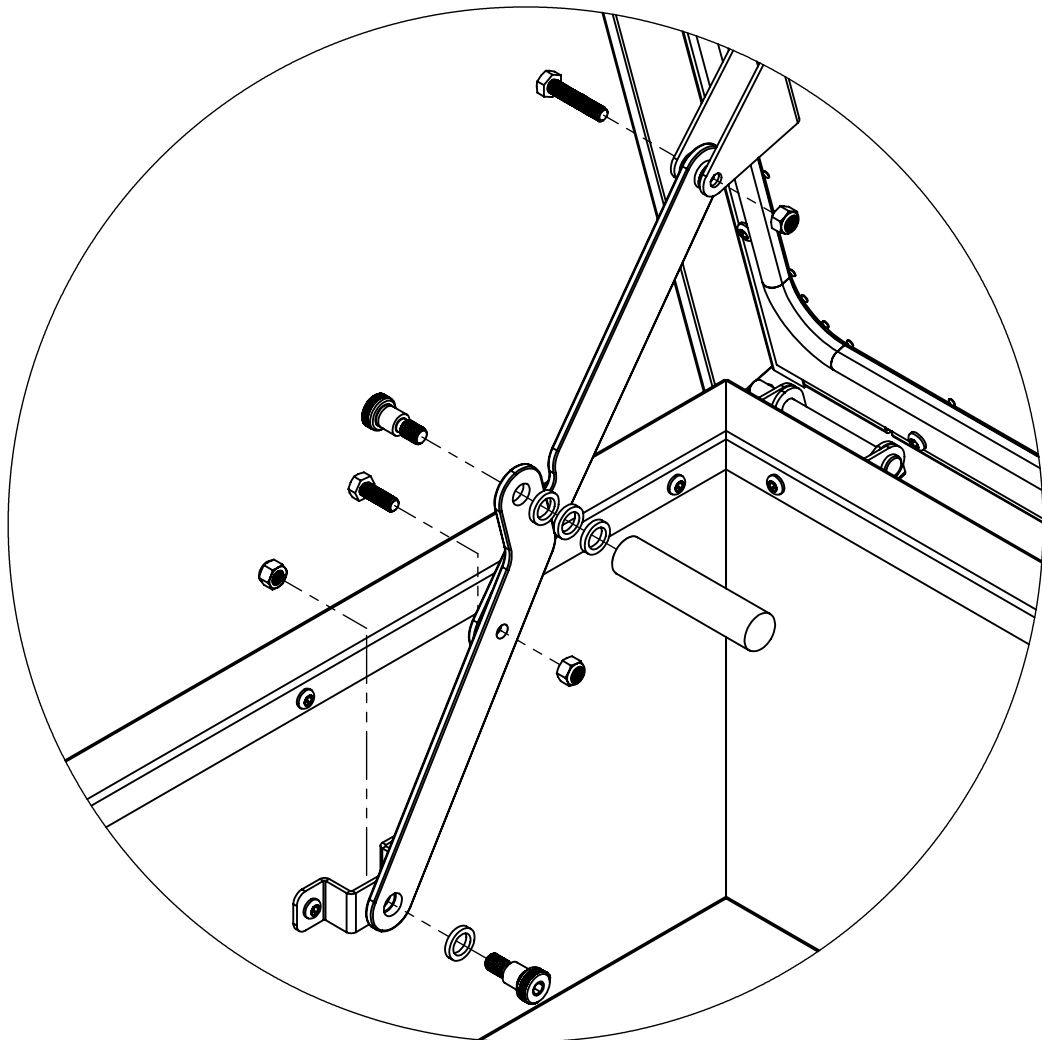
E

D

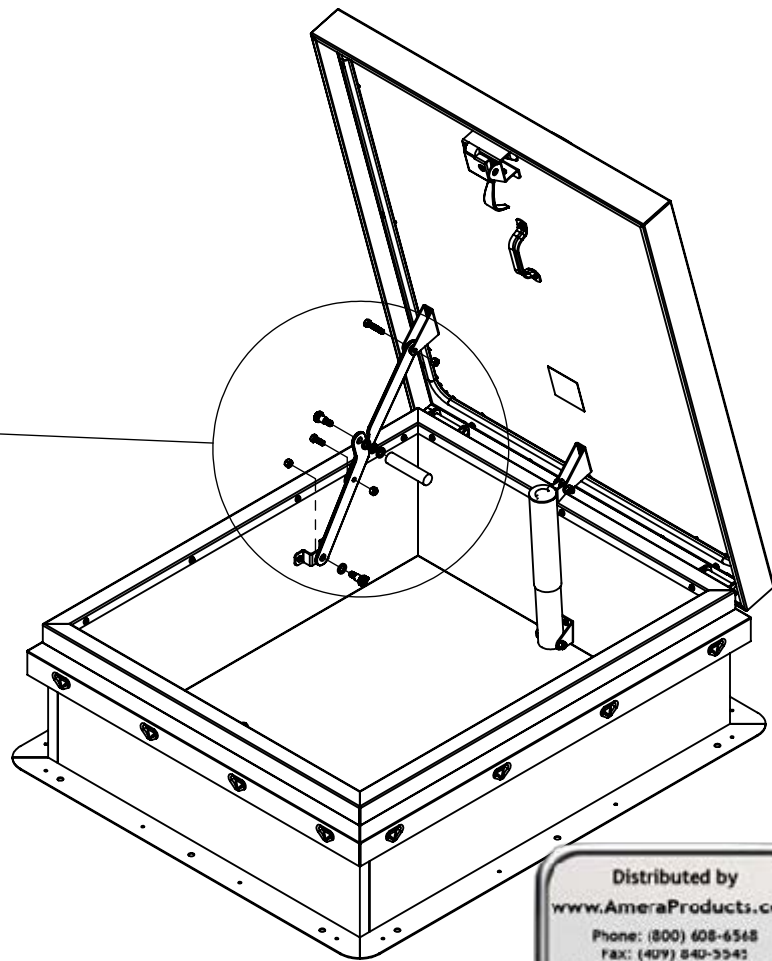
C

B

A



DETAIL E
SCALE 1 : 4



Distributed by
www.AmeraProducts.com
Phone: (800) 608-6548
Fax: (409) 840-5942
info@ameraproducts.com

NOTES:

MATERIAL		SHEET 5 OF 8	
FINISH		UNLESS OTHERWISE SPECIFIED: DIMENSIONS ARE IN INCHES	
CREATED	NAME	DATE	TOLERANCES:
CHECKED	AGA	1/5/2018	ANGULAR: BEND $\pm 1^\circ$
			.XX $\pm .020$
			.XXX $\pm .015$
			HOLES $\pm .005$
CONFIDENTIALITY STATEMENT PROPRIETARY AND CONFIDENTIAL. THE INFORMATION CONTAINED IN THIS DRAWING IS THE SOLE PROPERTY OF ACTIVAR CONSTRUCTION PRODUCTS GROUP, INC. ANY REPRODUCTION IN PART OR AS A WHOLE WITHOUT THE WRITTEN PERMISSION OF ACTIVAR CONSTRUCTION PRODUCTS GROUP, INC. IS PROHIBITED. COPYRIGHT 2017 ACTIVAR CONSTRUCTION PRODUCTS GROUP, INC.		DO NOT SCALE DRAWING	INTERPRET GEOMETRIC TOLERANCING PER: ASME Y 14.5 M-1994
		THIRD ANGLE	SCALE: 1:14

TITLE:
ROOF HATCH
RH-SERIES
KIT, ROOF HATCH

SIZE DWG. NO.
A RHD-KIT-PARTS

8

7

6

5

4

3

2

1

8

7

6

5

4

3

2

1

F

E

D

C

B

A

F

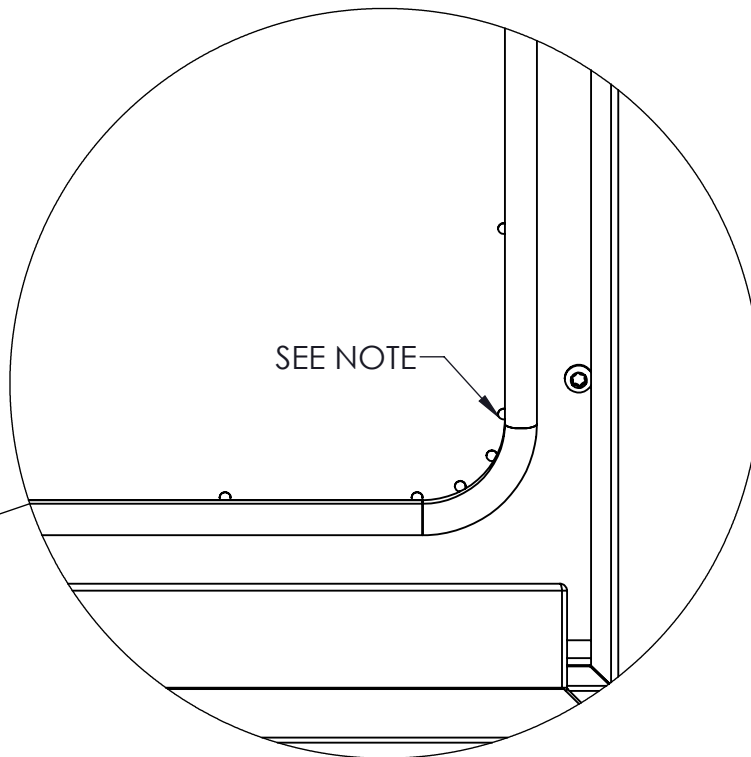
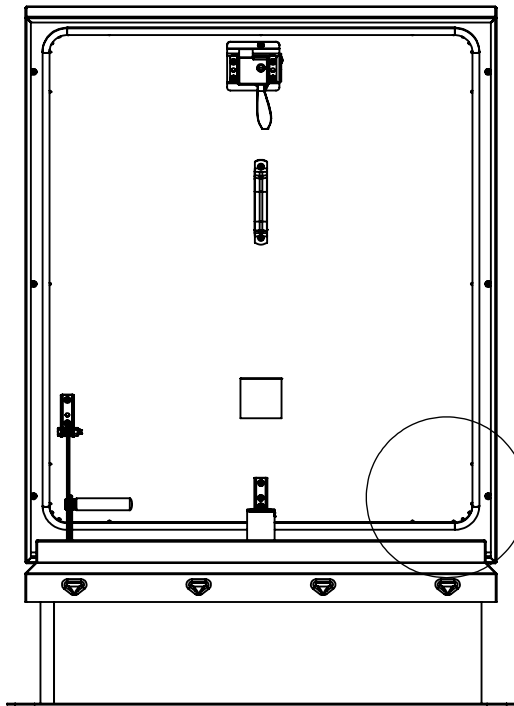
E

D

C

B

A



DETAIL F
SCALE 1 : 3

Distributed by
www.Ameraproducts.com
 Phone: (800) 608-6548
 Fax: (409) 840-5942
info@ameraproducts.com

- NOTES:
1. USE ISOPROPYL ALCOHOL WIPE ON LINER BEFORE INSTALLING.
 2. GASKET WILL REQUIRE CUTTING AS INSTALLED.
 3. DIMPLE TO BE ON INSIDE EDGE OF GASKETING

MATERIAL		SHEET 6 OF 8		
FINISH		UNLESS OTHERWISE SPECIFIED: DIMENSIONS ARE IN INCHES		
CREATED	NAME JHL	DATE 01/05/2018	TOLERANCES:	TITLE: ROOF HATCH RH-SERIES KIT, ROOF HATCH
CHECKED	AGA	1/5/2018	ANGULAR: BEND $\pm 1^\circ$	
CONFIDENTIALITY STATEMENT PROPRIETARY AND CONFIDENTIAL THE INFORMATION CONTAINED IN THIS DRAWING IS THE SOLE PROPERTY OF ACTIVAR CONSTRUCTION PRODUCTS GROUP, INC. ANY REPRODUCTION IN PART OR AS A WHOLE WITHOUT THE WRITTEN PERMISSION OF ACTIVAR CONSTRUCTION PRODUCTS GROUP, INC. IS PROHIBITED. COPYRIGHT 2017 ACTIVAR CONSTRUCTION PRODUCTS GROUP, INC.			DO NOT SCALE DRAWING THIRD ANGLE	
		INTERPRET GEOMETRIC TOLERANCING PER: ASME Y 14.5 M-1994	SCALE: 1:14	SIZE DWG. NO. A RHD-KIT-PARTS

8

7

6

5

4

3

2

1

8

7

6

5

4

3

2

1

F

E

D

C

B

A

F

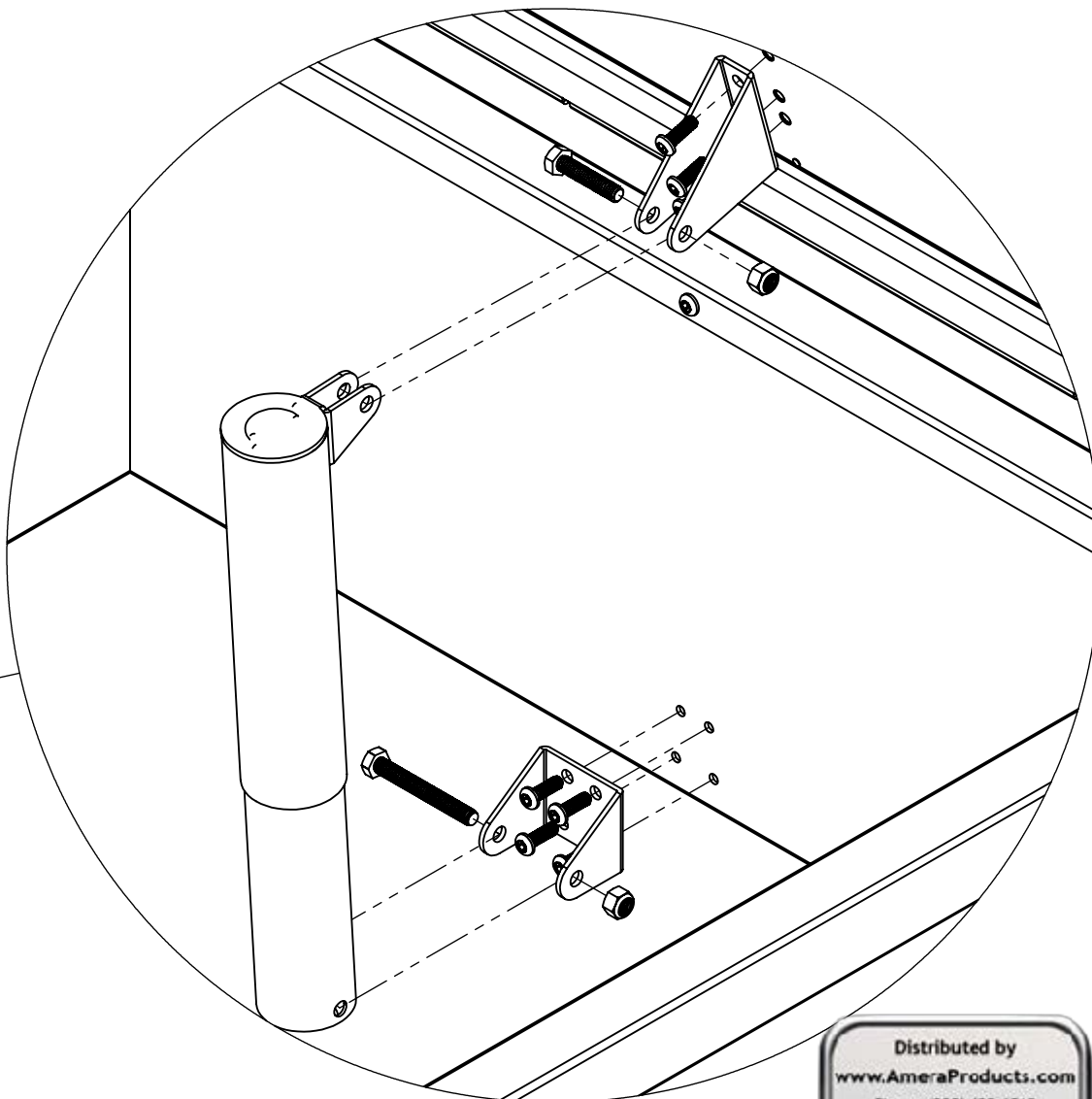
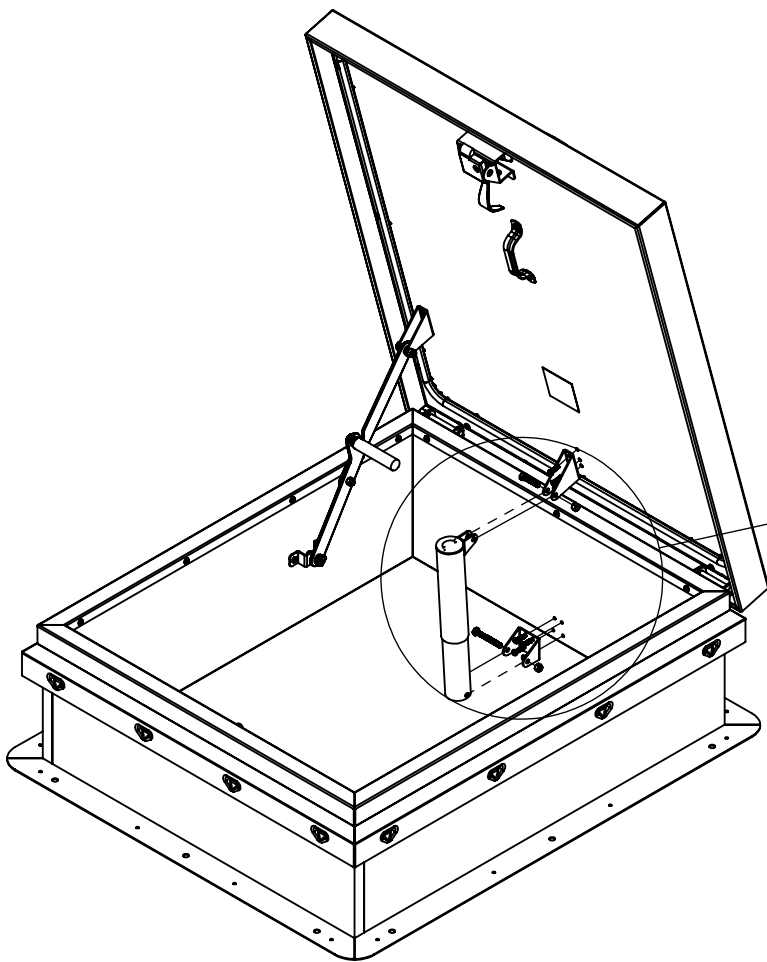
E

D

C

B

A



DETAIL G
SCALE 1 : 3.5

Distributed by
www.Ameraproducts.com
Phone: (800) 608-6548
Fax: (409) 840-5942
info@ameraproducts.com

NOTES: 1. SPRING NESTED WITHIN A SPRING, INSIDE SPING CYLINDER.

MATERIAL		SHEET 7 OF 8		
FINISH		UNLESS OTHERWISE SPECIFIED: DIMENSIONS ARE IN INCHES		
CREATED	NAME JHL	DATE 01/05/2018	TOLERANCES:	
CHECKED	AGA	1/5/2018	ANGULAR: BEND $\pm 1^\circ$.XX $\pm .020$.XXX $\pm .015$ HOLES $\pm .005$	
<small>CONFIDENTIALITY STATEMENT PROPRIETARY AND CONFIDENTIAL THE INFORMATION CONTAINED IN THIS DRAWING IS THE SOLE PROPERTY OF ACTIVAR CONSTRUCTION PRODUCTS GROUP, INC. ANY REPRODUCTION IN PART OR AS A WHOLE WITHOUT THE WRITTEN PERMISSION OF ACTIVAR CONSTRUCTION PRODUCTS GROUP, INC. IS PROHIBITED. COPYRIGHT 2017 ACTIVAR CONSTRUCTION PRODUCTS GROUP, INC.</small>		DO NOT SCALE DRAWING		<small>INTERPRET GEOMETRIC TOLERANCING PER: ASME Y 14.5 M-1994</small>
		 THIRD ANGLE		
		SCALE: 1:14		<small>TITLE:</small> ROOF HATCH RH-SERIES KIT, ROOF HATCH
				<small>SIZE DWG. NO.</small> A RHD-KIT-PARTS

8

7

6

5

4

3

2

1

8

7

6

5

4

3

2

1

F

E

D

C

B

A

F

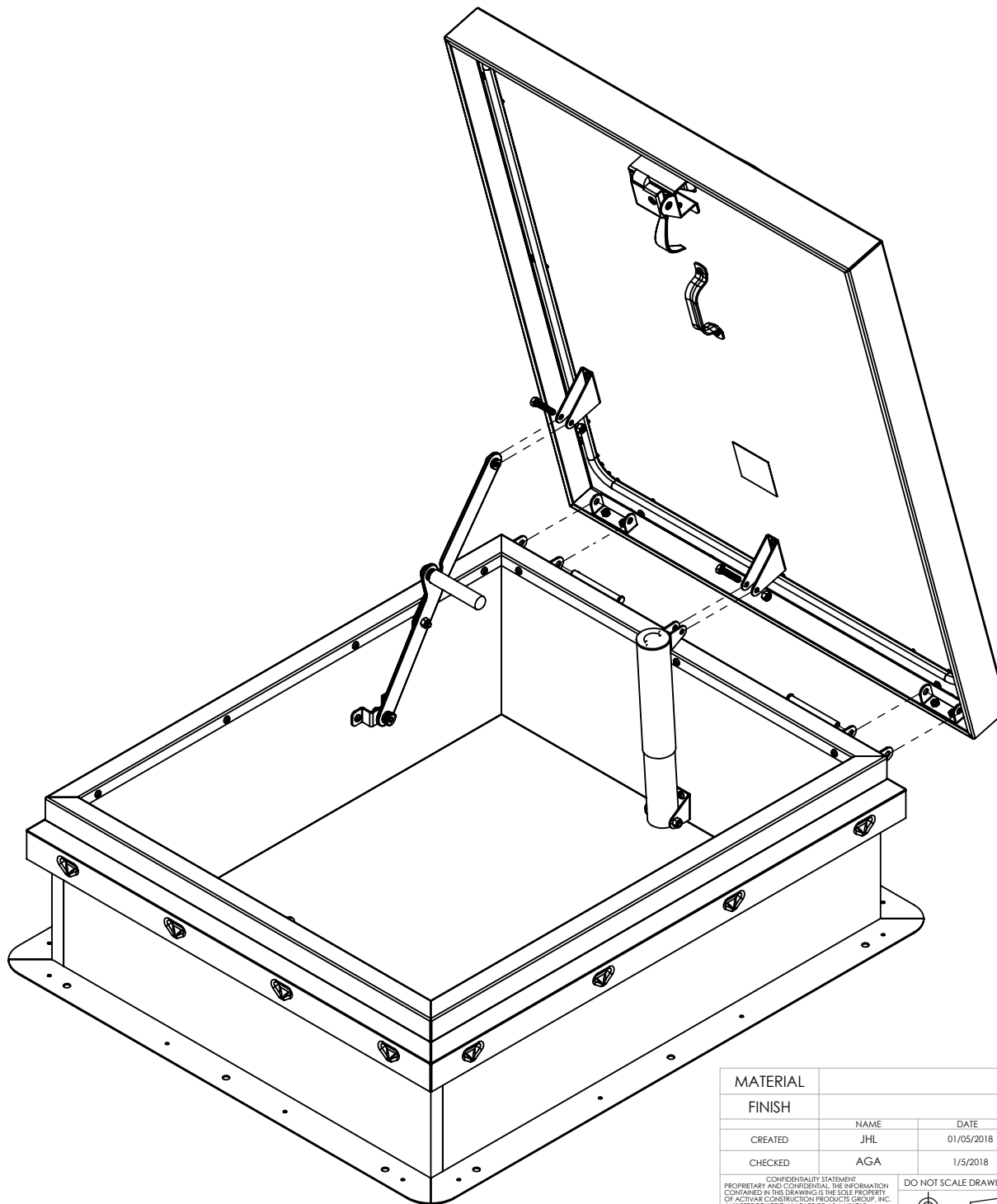
E

D

C

B

A



NOTES:

Distributed by
www.AmeraProducts.com
 Phone: (800) 608-6548
 Fax: (409) 840-5942
info@ameraproducts.com

MATERIAL		
FINISH		
	NAME	DATE
CREATED	JHL	01/05/2018
CHECKED	AGA	1/5/2018
<small>CONFIDENTIALITY STATEMENT PROPRIETARY AND CONFIDENTIAL THE INFORMATION CONTAINED IN THIS DRAWING IS THE SOLE PROPERTY OF ACTIVAR CONSTRUCTION PRODUCTS GROUP, INC. ANY REPRODUCTION IN PART OR AS A WHOLE WITHOUT THE WRITTEN PERMISSION OF ACTIVAR CONSTRUCTION PRODUCTS GROUP, INC. IS PROHIBITED. © COPYRIGHT 2017 ACTIVAR CONSTRUCTION PRODUCTS GROUP, INC.</small>		
DO NOT SCALE DRAWING		

SHEET 8 OF 8
 UNLESS OTHERWISE SPECIFIED:
 DIMENSIONS ARE IN INCHES
 TOLERANCES:
 ANGULAR: BEND $\pm 1^\circ$
 .XX $\pm .020$
 .XXX $\pm .015$
 HOLES $\pm .005$

INTERPRET GEOMETRIC
 TOLERANCING PER:
 ASME Y 14.5 M-1994

SCALE: 1:14

ACTIVAR INC.
CONSTRUCTION PRODUCTS GROUP

TITLE: ROOF HATCH
 RH-SERIES
 KIT, ROOF HATCH

SIZE DWG. NO.
A RHD-KIT-PARTS

8

7

6

5

4

3

2

1